

HOGGI[®]



CE

**BINGO Evolution
Rehab Pushchair
Spare parts catalogue**

GB

HOGGI[®] - *Partnering together to mobilise kids*

Model identification

When ordering spare parts, please always indicate the following basic data to ensure smooth delivery:

1) Serial number of the product

2) Frame width

3) Frame colour

Article numbers which have (-xxx) at the end must be completed with a code number for the frame color.

Frame colours	Colour code
Sparkling iron effect	(-024)

Upholstery colours	Colour code
Yellow-green / Grey	(-329)
Orange / Grey	(-331)
Red / Grey	(-332)
Blue / Grey	(-333)
Black check / Grey	(-309)
Green check / Grey	(-300)
Red check / Grey	(-301)

Accessories colour	Colour code
Grey	(-304)

Index	Page
Model identification _____	3
Index _____	4
Component group overview _____	6
Spare parts _____	12 - 38
Spare parts for accessories _____	38 - 47

Label:

Model identification

The image displays five examples of HOGGI BINGO Evolution labels, each with a line pointing to a specific part of the label and an explanation:

- Label 1:** HOGGI 3231-1000-024 BINGO Evolution Evo Straßengestell Gr. 1. max. load 60 kg. Annotation: A = Frame variation.
- Label 2:** HOGGI 3232-1000-024 BINGO Evolution Evo Straßengestell Gr. 1. max. load 60 kg. Annotation: B = Frame size.
- Label 3:** HOGGI 3232-1000-024 BINGO Evolution Evo Straßengestell Gr. 1. max. load 60 kg. Annotation: C = Mobility base or seat unit.
- Label 4:** HOGGI 3236-1000-024 BINGO Evolution Evo TRIKE Gr. 1. max. load 50 kg. Annotation: D = Load capacity mobility base.
- Label 5:** HOGGI 3236-1000-024 BINGO Evolution Evo TRIKE Gr. 1. max. load 50 kg. Annotation: E = Colour code.
- Label 6:** HOGGI 3231-2000-024 BINGO Evolution Evo Sitzinhell Gr. 1. max. load 50 kg. Annotation: F = Load capacity (in that case „trike size 1“).
- Label 7:** HOGGI 3231-2000-024 BINGO Evolution Evo Sitzinhell Gr. 1. max. load 50 kg. Annotation: G = Load capacity (in that case „seat unit size 1“).
- Label 8:** HOGGI 3239-1000-024 BINGO Evolution Evo Straßengestell für Zusatzgerätee max. load 60 kg. Annotation: H = Serial number.

Index

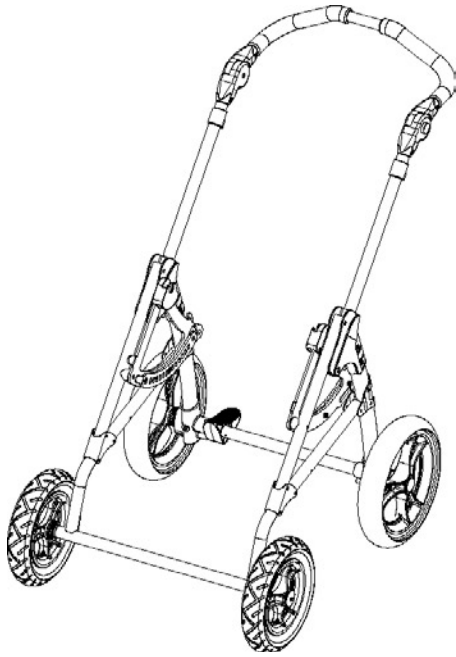
Component group or accessories	Page
Component group overview	6
Mobility base rigid	7
Mobility base swivel	8
Mobility base trike	9
Mobility base for additional equipment	10
Seatunit	11
Frame, rigid	12
Frame, swivel	13
Frame, trike	14
Frame swivel for additional equipment	15
Front bar	16
Front bar with suspension	17
Rear frame	18
Brake	19
Push handle	20
Bearing (seat)	21
Tie down kit	22
Front wheels/rear wheels/caster fork	23
Trike front wheels	24
Seat base	25
Tilt mechanism	26
Seat surface	27
Hip supports	28
Thigh supports	29

Index

Component group or accessories	Page
Footrest hanger, 90° ,	30
Footrest hanger angle adjustable 90-160°	31
Footboard assembly angle adjustable and foldable	32
Footrest flip up lock	33
Footrest with heel stop	34
Footplate in boat form	34
Back base	35
Tilt mechanism	36
Lateral supports	37
Back insert	38
Upholstery	39
Headrest pads	40
Trunk supports	41
Abduction block, swing away	42
Abduction block, fixed	43
Retainer for accessories	44
Grasp rail with upholstery	45
Therapy tray	46
Therapy tray, height adjustable	47
Swivel lock	48

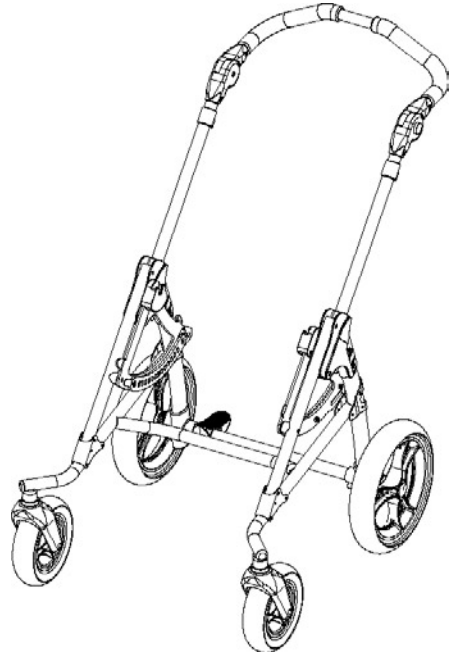
Component Group Overview

1



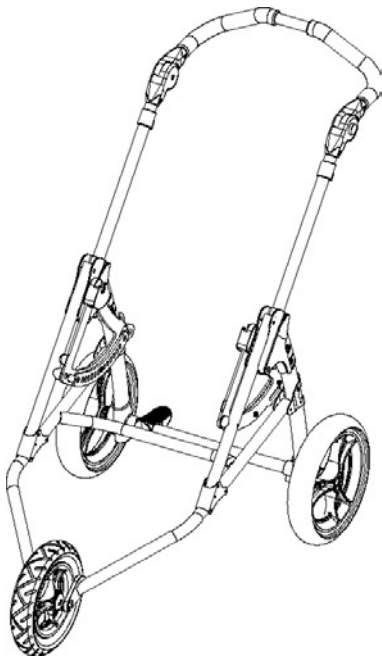
3231-1000-xxx mobility base rigid front wheels size 1
3233-1000-xxx mobility base rigid front wheels size 2

2



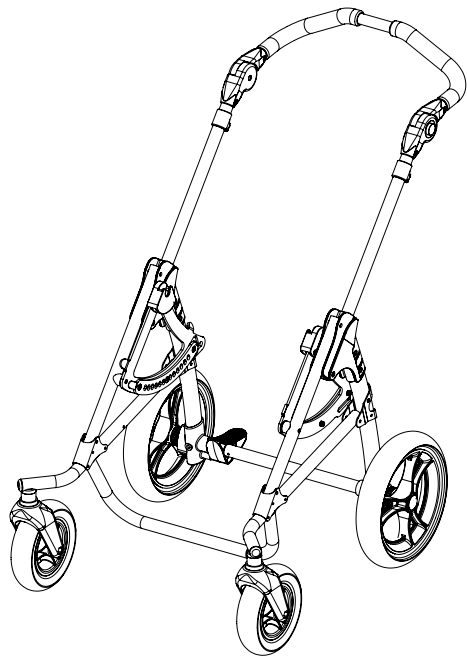
3232-1000-xxx mobility base swivelling front wheels size 1
3234-1000-xxx mobility base swivelling front wheels size 1

3



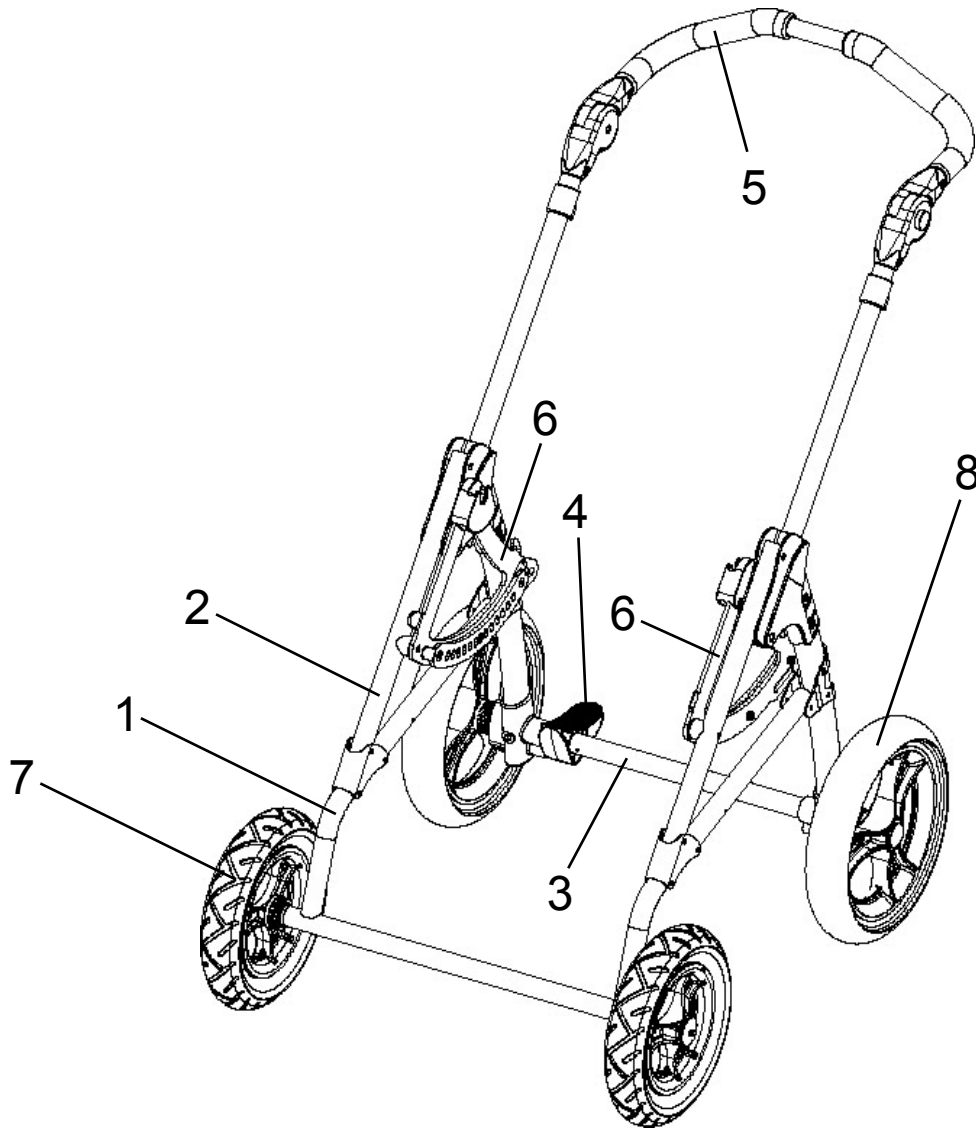
3236-1000-xxx TRIKE mobility base size 1
3237-1000-xxx TRIKE mobility base size 2

4



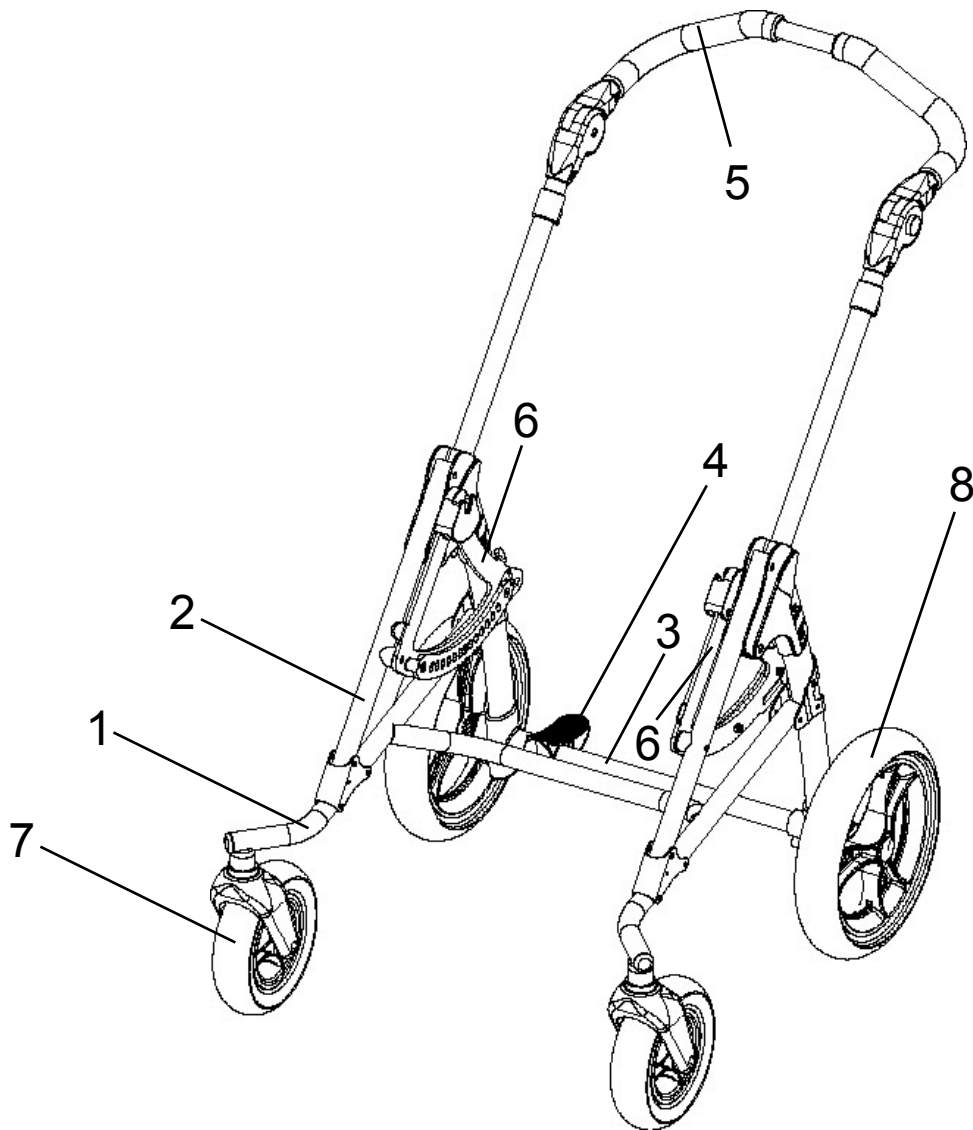
3238-1000-xxx mobility base for additional equipment size 1
3239-1000-xxx mobility base for additional equipment size 2

Component Group Overview



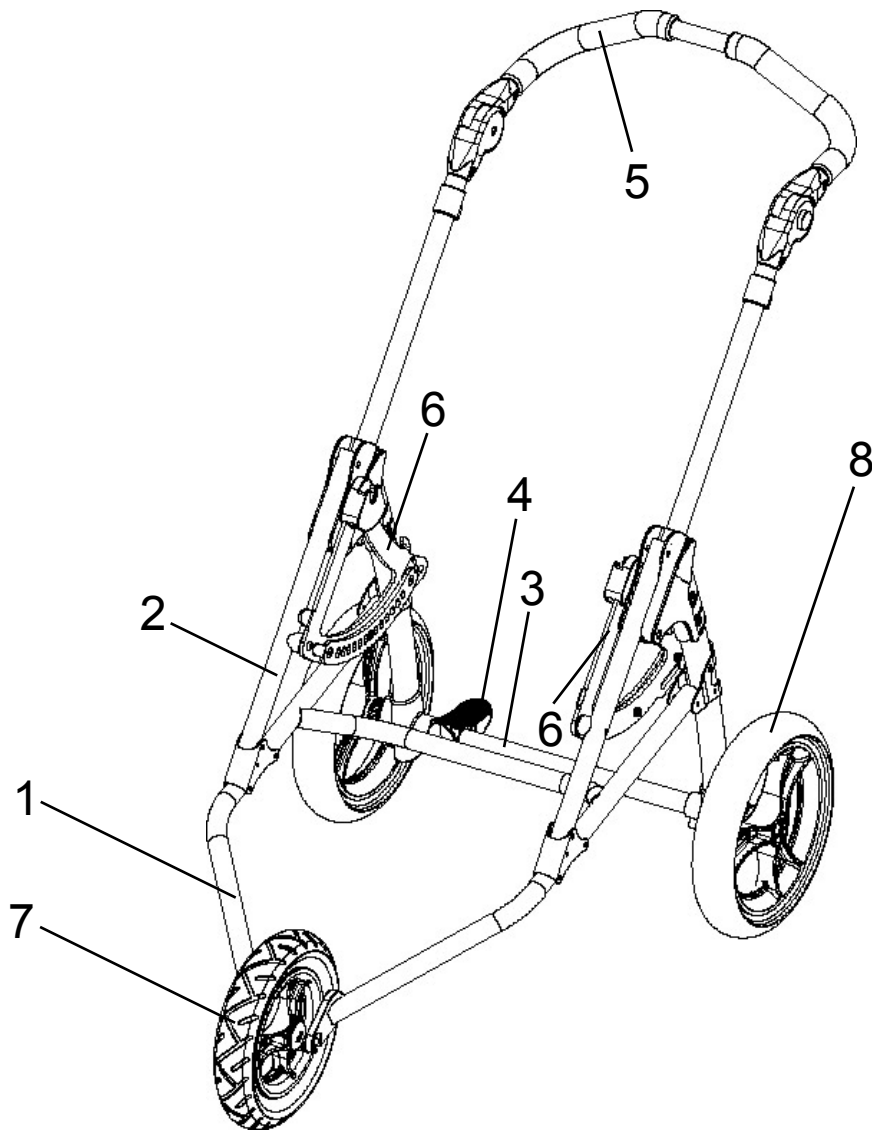
Pos	Article number	Component group
1-8	3231-1000-xxx	BINGO-Evolution mobility base size 1, rigid front wheels
	3233-1000-xxx	BINGO-Evolution mobility base size 2, rigid front wheels
1	3231-1100E-xxx	Frame size 1 (rigid front wheels)
	3233-1100E-xxx	Frame size 2 (rigid front wheels)
2	3231-1300E-xxx	Front bar
3	3231-1200E-xxx	Rear frame size 1
	3233-1200E-xxx	Rear frame size 2
4	3201-1301E	Brake size 1
	3203-1301E	Brake size 2
5	3231-1400E-xxx	Push handle size 1
	3233-1400E-xxx	Push handle size 2
6	3231-1510E	Bearing (seat), left
	3231-1520E	Bearing (seat), right
7	12xx-2550	Front wheel
8	12xx-2961	Rear wheel

Component Group Overview



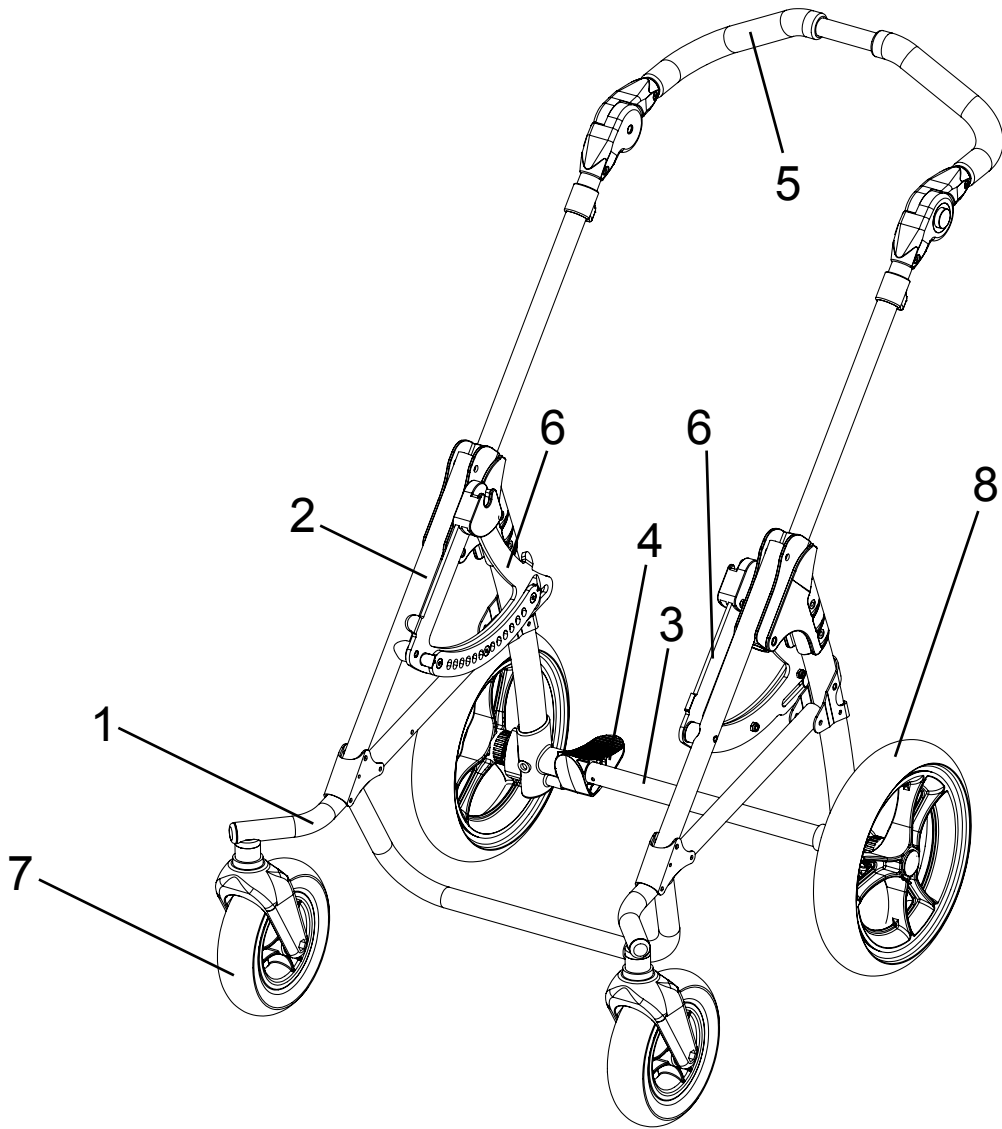
Pos	Article number	Component group
1-8	3232-1000-xxx	BINGO-Evolution mobility base size 1, swivelling front wheels
	3234-1000-xxx	BINGO-Evolution mobility base size 2, swivelling front wheels
1	3232-1100E-xxx	Frame size 1 (swivelling front wheels)
	3234-1100E-xxx	Frame size 2 (swivelling front wheels)
2	3231-1300E-xxx	Front bar
3	3231-1200E-xxx	Rear frame size 1
	3234-1200E-xxx	Rear frame size 2
4	3201-1301E-xxx	Brake size 1
	3203-1301E-xxx	Brake size 2
5	3231-1400E-xxx	Push handle size 1
	3233-1400E-xxx	Push handle size 2
6	3231-1510E	Bearing (seat), left
	3231-1520E	Bearing (seat), right
7	12xx-2550	Front wheel
8	12xx-2961	Rear wheel

Component Group Overview



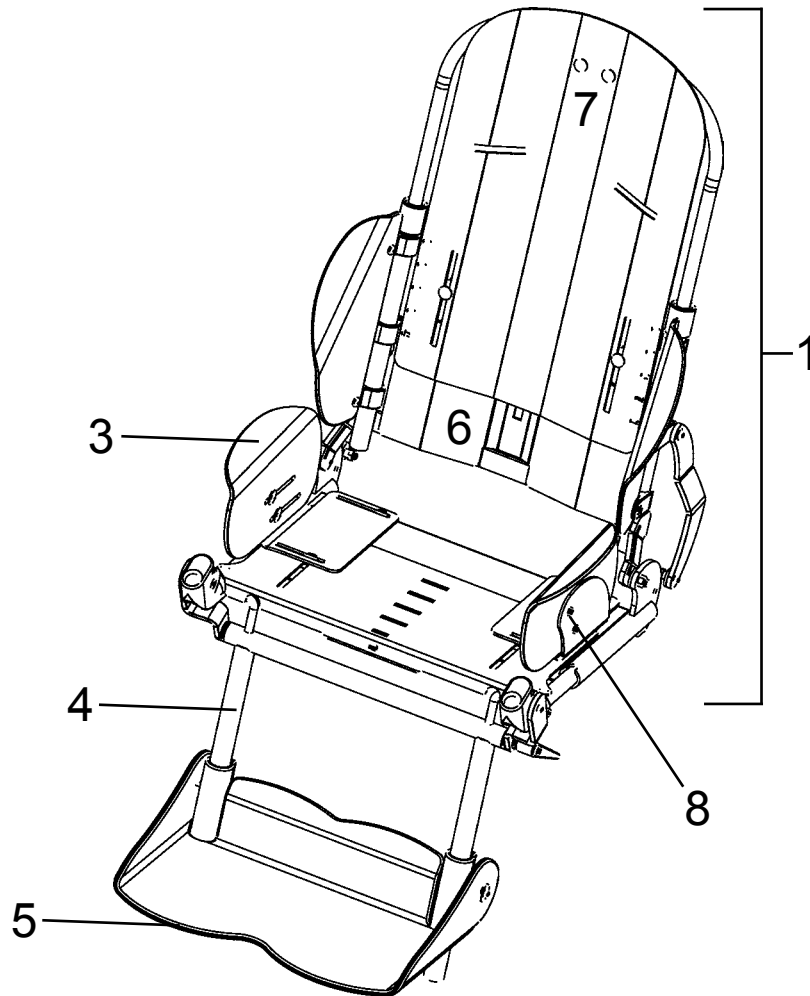
Pos	Article number	Component group
1-8	3236-1000-xxx 3237-1000-xxx	BINGO-Evolution mobility base size 1, trike BINGO-Evolution mobility base size 2, trike
1	3236-1100E-xxx 3237-1100E-xxx	Frame trike size 1 Frame trike size 2
2	3231-1300E-xxx	Front bar
3	3231-1200E-xxx 3233-1200E-xxx	Rear frame size 1 Rear frame size 1
4	3201-1301E 3203-1301E	Brake size 1 Brake size 2
5	3231-1400E-xxx 3233-1400E-xxx	Push handle size 1 Push handle size 2
6	3231-1510E 3231-1520E	Bearing (seat), left Bearing (seat), right
7	12xx-2960	Front wheel
8	12xx-2961	Rear wheel

Component Group Overview



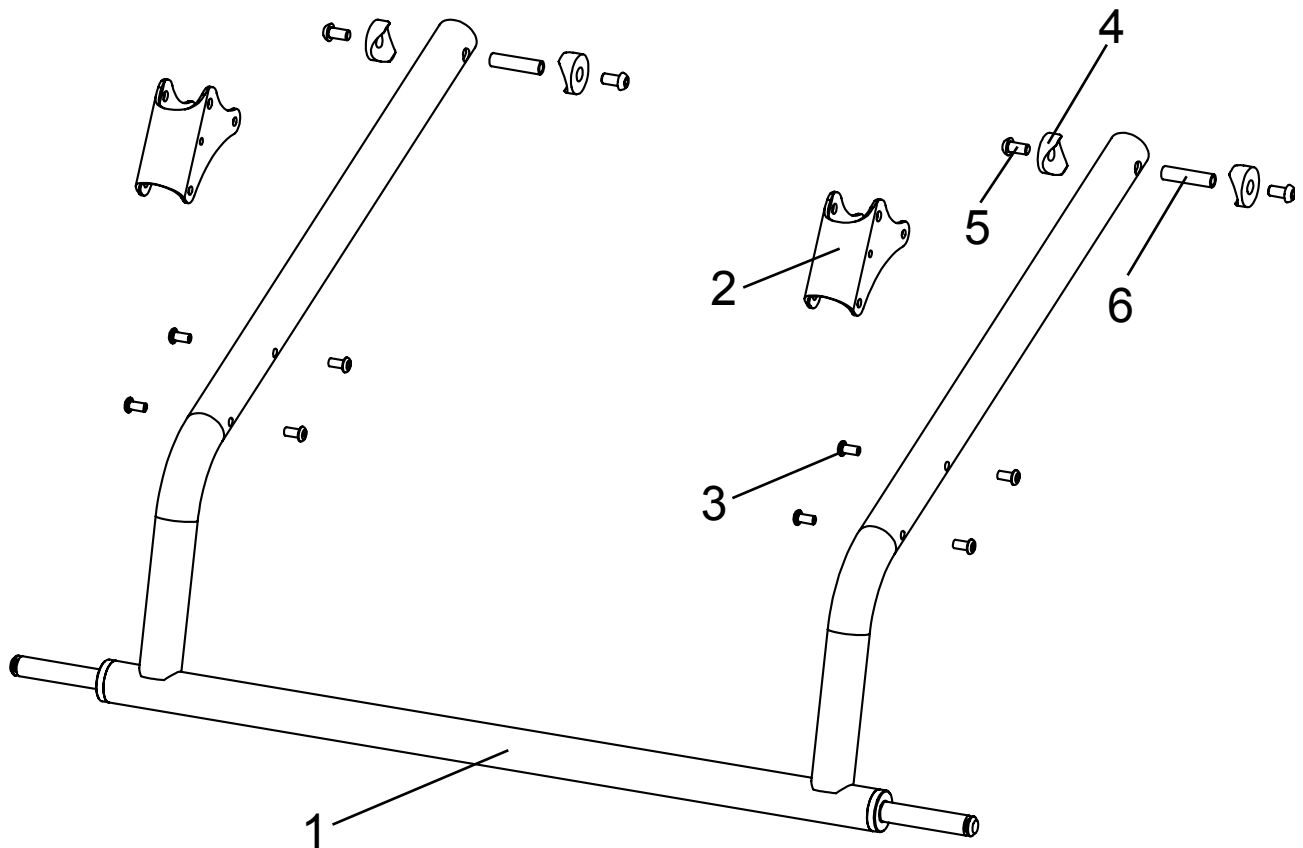
Pos	Article number	Component group
1-8	3238-1000-xxx 3239-1000-xxx	BINGO-Evolution mobility base for respiratory equipment size 1 BINGO-Evolution mobility base for respiratory equipment size 2
1	3238-1110E-xxx 3239-1110E-xxx	Frame for respiratory equipment size 1 Frame for respiratory equipment size 2
2	3231-1300E-xxx	Front bar
3	3231-1200E-xxx 3233-1200E-xxx	Rear frame size 1 Rear frame size 2
4	3201-1301E 3203-1301E	Brake size 1 Brake size 1
5	3231-1400E-xxx 3233-1400E-xxx	Push handle size 1 Push handle size 2
6	3231-1510E 3231-1520E	Bearing (seat), left Bearing (seat), right
7	12xx-2960	Front wheel
8	12xx-2961	Rear wheel

Component Group Overview



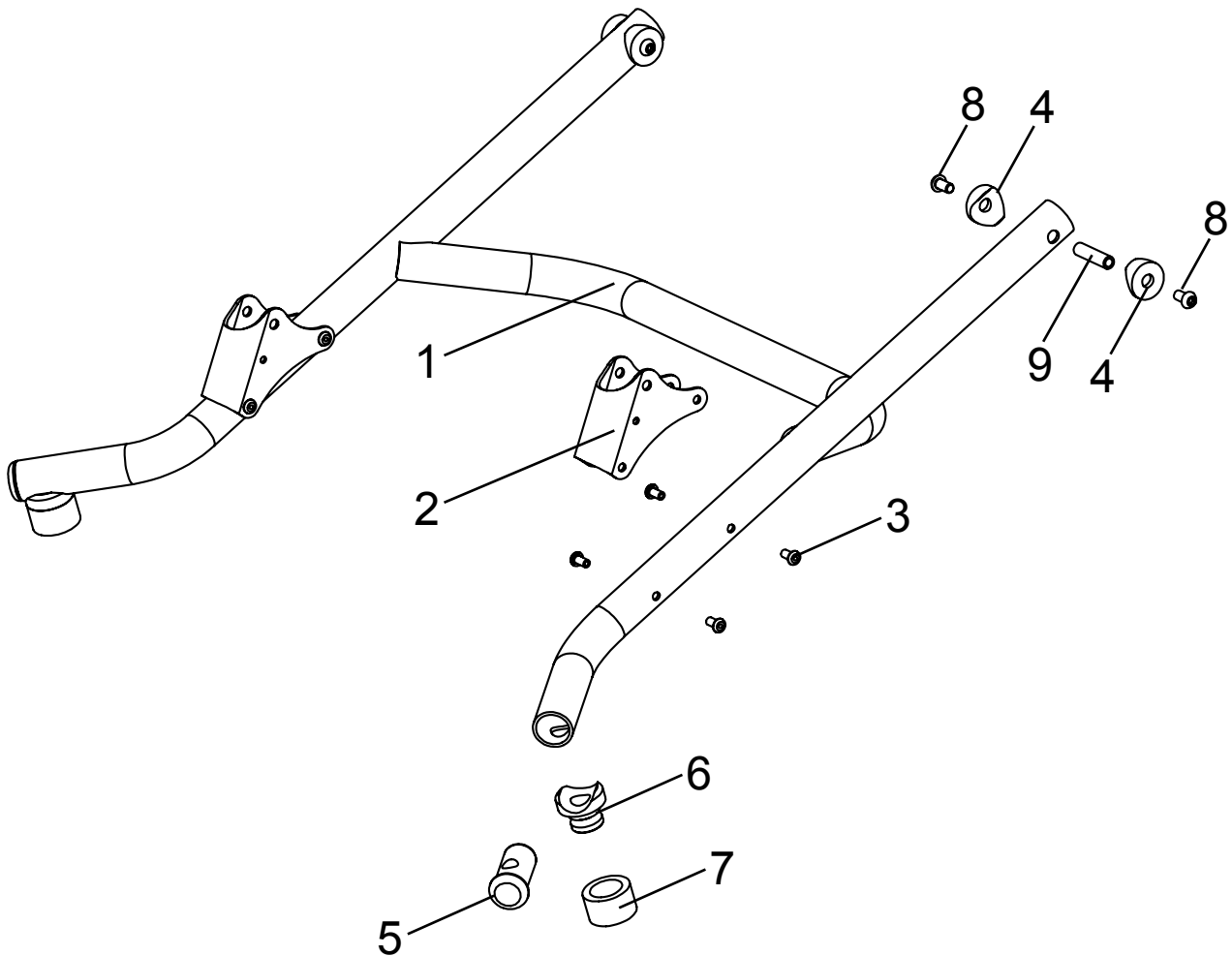
Pos	Article number	Component group
1	3231-2000-xxx	BINGO Evolution seat, size 1
	3233-2000-xxx	BINGO Evolution seat, size 2
1	3201-2100E-xxx	Seat base, size 1
	3203-2100E-xxx	Seat base, size 1
2	3201-2200E-xxx	Hip support left, size 1
	3203-2200E-xxx	Hip support left, size 2
3	3201-2300E-xxx	Hip support right, size 1
	3203-2300E-xxx	Hip support right, size 2
4	3201-2400E-xxx	Knee angle assembly, size 1
	3203-2400E-xxx	Knee angle assembly, size 2
5	3201-2500E-xxx	Footrest, size 1
	3203-2500E-xxx	Footrest, size 1
6	3201-2600E-xxx	Back base, size 1
	3203-2600E-xxx	Back base, size 2
7	3201-2800E-xxx	Back insert, size 1
	3203-2800E-xxx	Back insert, size 2
8	3231-2900-xxx	Thigh supports size 1
	3233-2900-xxx	Thigh supports size 2
not pictured	3201-5100E-xxx	Upholstery, size 1
	3203-5100E-xxx	Upholstery, size 2
	3201-5101E-xxx	Upholstery, size 1, with spacer fabric
	3203-5101E-xxx	Upholstery, size 2, with spacer fabric

Spare parts



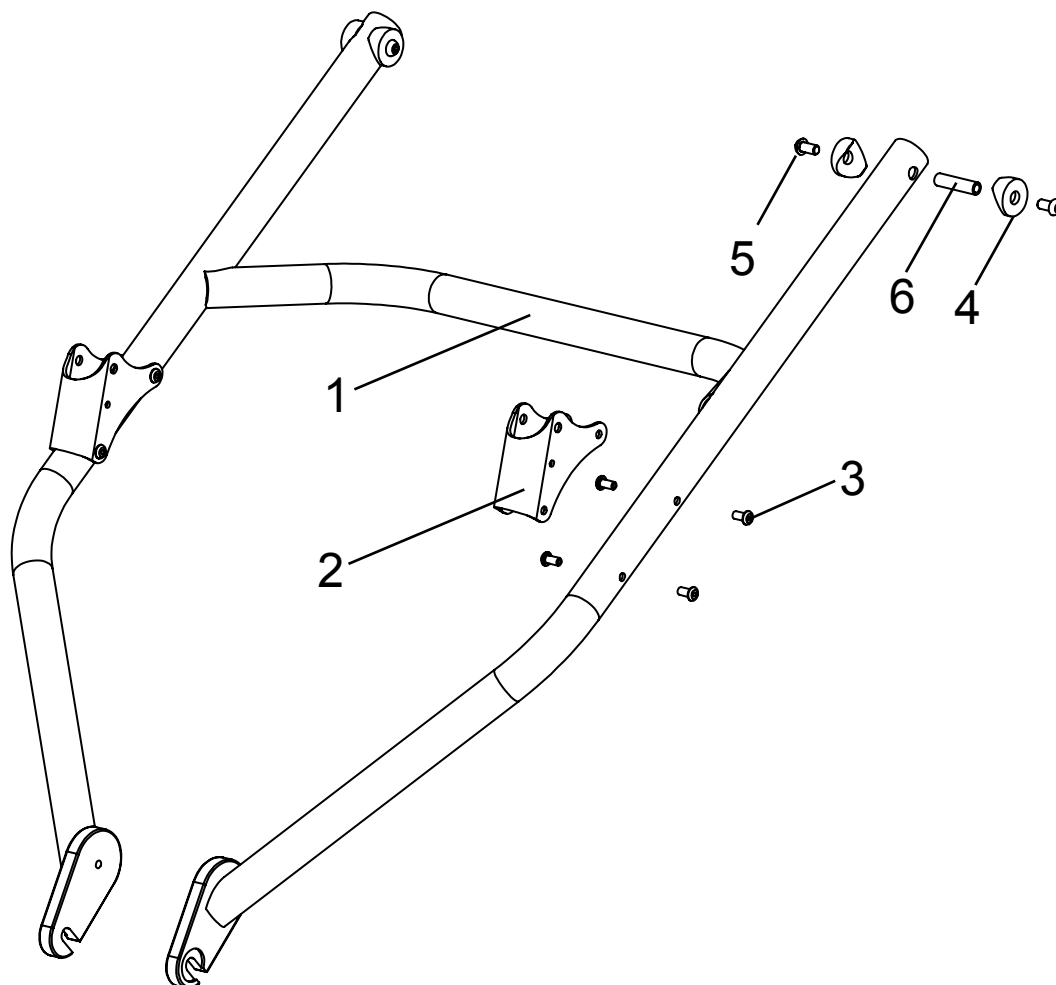
Pos	Article number	Article description	Quantity	Unit
1-6	3231-1100E-xxx	Frame size 1 (rigid front wheels)	1	Pc.
	3233-1100E-xxx	Frame size 1 (rigid front wheels)	1	Pc.
1-3	3231-1110E-xxx	Frame size 1 (rigid front wheels)	1	Pc.
	3233-1110E-xxx	Frame size 1 (rigid front wheels)	1	Pc.
2	3231-1120-xxx	Bearing front bar	2	Pc.
3	1069-0002	Blind rivet St/St DIN/ISO 7337 F5x10 black	8	Pc.
4	1111-0012	Saddle washer PA black 24x8.4x3	4	Pc.
5	1029-6001	Button head socket screw, zp, Tufflock DIN/ISO 7380 M6x12	4	Pc.
6	1114-0027	Threaded bushing 8xM6x32	2	Pc.

Spare parts



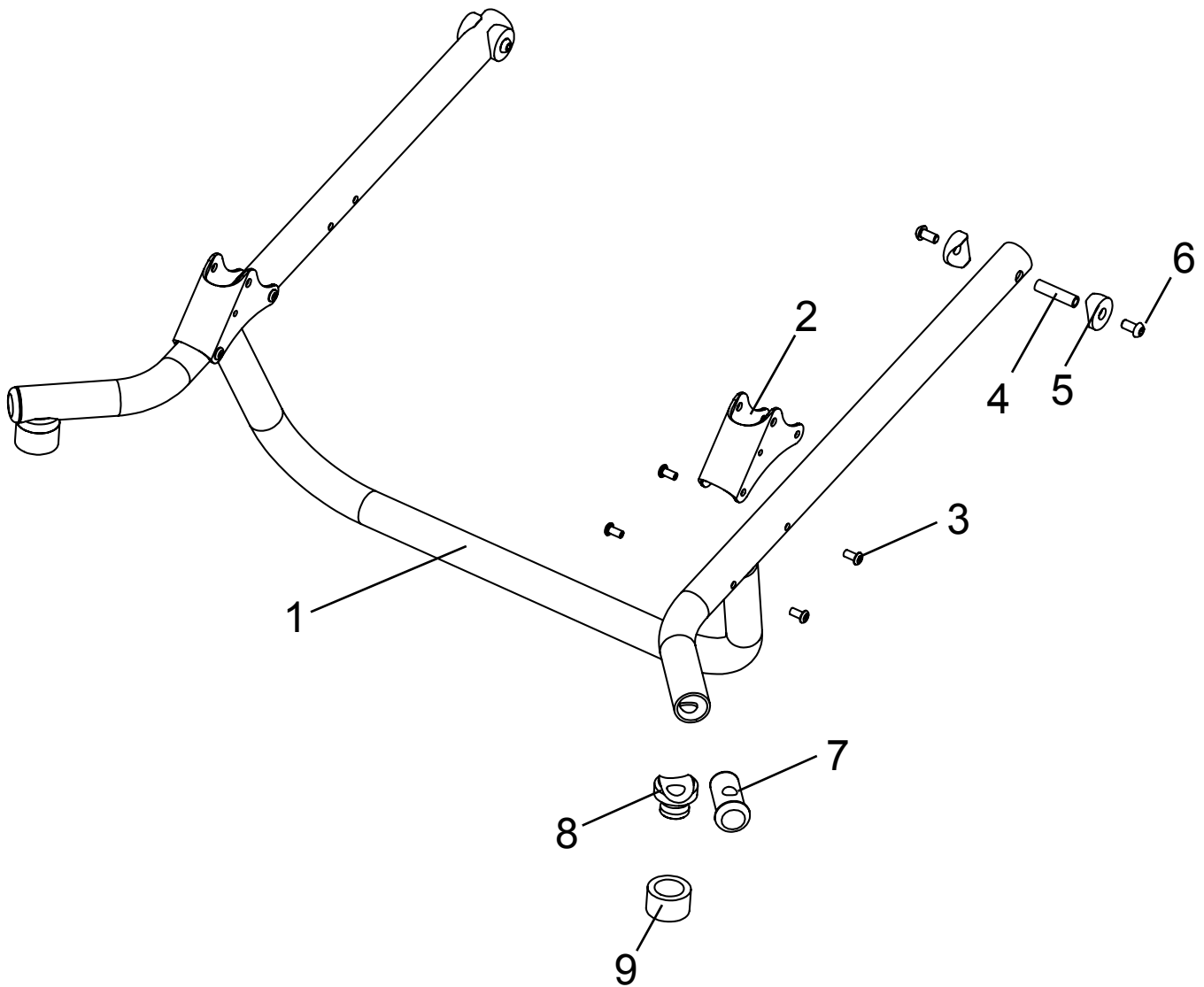
Pos	Article number	Article description	Quantity	Unit
1-9	3232-1100E-xxx	Frame size 1 (swivel front wheels)	1	Pc.
	3234-1100E-xxx	Frame size 1 (swivel front wheels)	1	Pc.
1-3	3232-1110E-xxx	Frame size 1	1	Pc.
	3234-1110E-xxx	Frame size 2	1	Pc.
2	3231-1120-xxx	Front strut bearing	2	Pc.
3	1069-0002	Blind rivet St/St DIN/ISO 7337 F5x10 black	8	Pc.
4	1111-0012	Saddle washer PA black 24x8.4x3	4	Pc.
5	3202-1130	Block	2	Pc.
6	3202-1140	Saddle bushing for front caster	2	Pc.
7	3202-1151	Cover ring	2	Pc.
8	1029-6001	Button head socket screw, zp, Tufflock DIN/ISO 7380 M6x12	4	Pc.
9	1114-0027	Threaded bushing 8xM6x32	2	Pc.

Spare parts



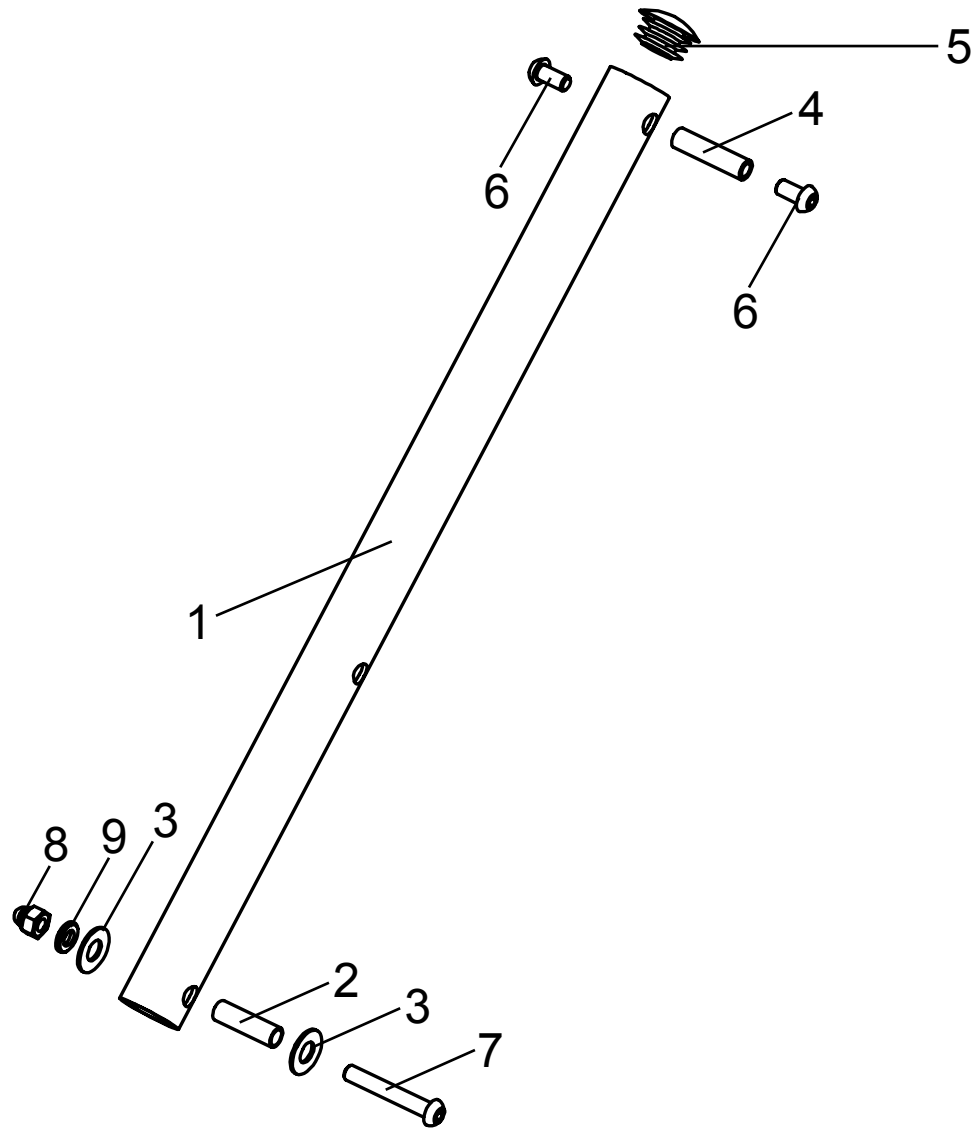
Pos	Article number	Article description	Quantity	Unit
1-6	3236-1100E-xxx	Frame size 1, trike	1	Pc.
	3237-1100E-xxx	Frame size 2, trike	1	Pc.
1-3	3236-1110E-xxx	Frame size 1, trike	1	Pc.
	3237-1110E-xxx	Frame size 2, trike	1	Pc.
2	3231-1120-xxx	Bearing front bar	2	Pc.
3	1069-0002	Blind rivet St/St DIN/ISO 7337 F5x10 black	8	Pc.
4	1111-0012	Saddle washer PA black 24x8.4x3	4	Pc.
5	1029-6001	Button head socket screw, zp, Tufflock DIN/ISO 7380 M6x12	4	Pc.
6	1114-0027	Threaded bushing 8xM6x32	2	Pc.

Spare Parts



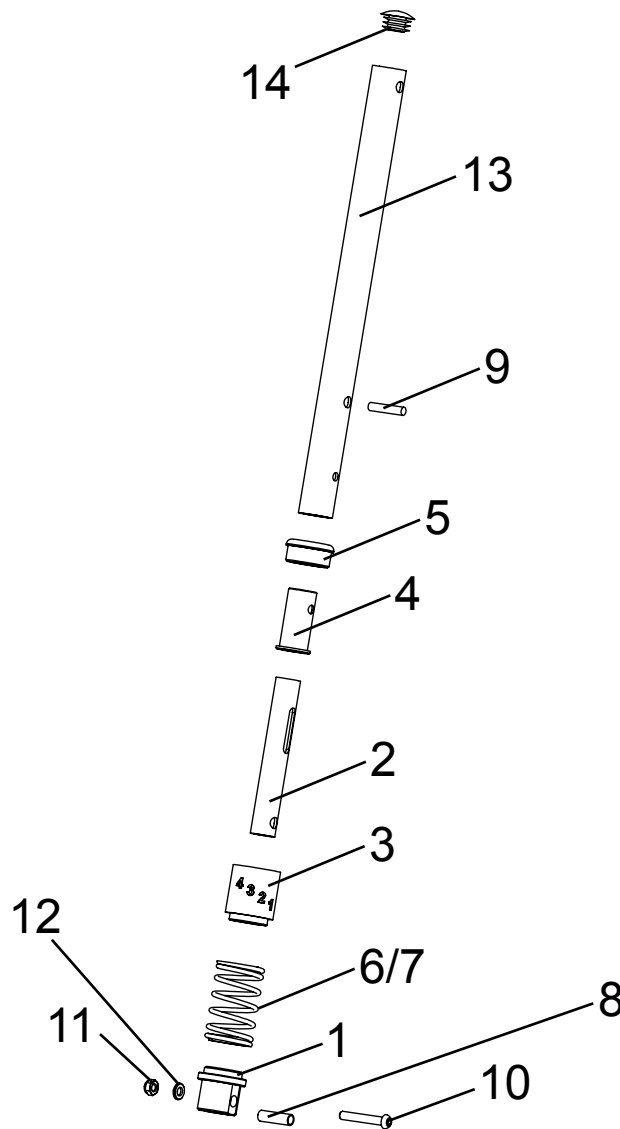
Pos	Article number	Article description	Quantity	Unit
1-6	3238-1100E-xxx	Front frame for additional equipment size 1, complete	1	St.
	3239-1100E-xxx	Front frame for additional equipment size 2, complete	1	St.
1-3	3238-1110E-xxx	Front frame for additional equipment size 1	1	St.
	3239-1110E-xxx	Front frame for additional equipment size 1	1	St.
2	3231-1120-xxx	Front strut bearing	2	St.
3	1069-0002	Blind rivet St/St DIN/ISO 7337 F5x10 black	8	St.
4	1114-0027	Threaded bushing 8xM6x32	2	St.
5	1111-0012	Saddle washer PA black 24x8.4x3	4	St.
6	1029-6001	Button head socket screw, zp, Tufflock DIN/ISO 7380 M6x12	4	St.
7	3202-1130	Block for caster fork	2	St.
8	3202-1140	Saddle bushing for front caster	2	St.
9	3202-1151	Cover ring	2	St.

Spare Parts



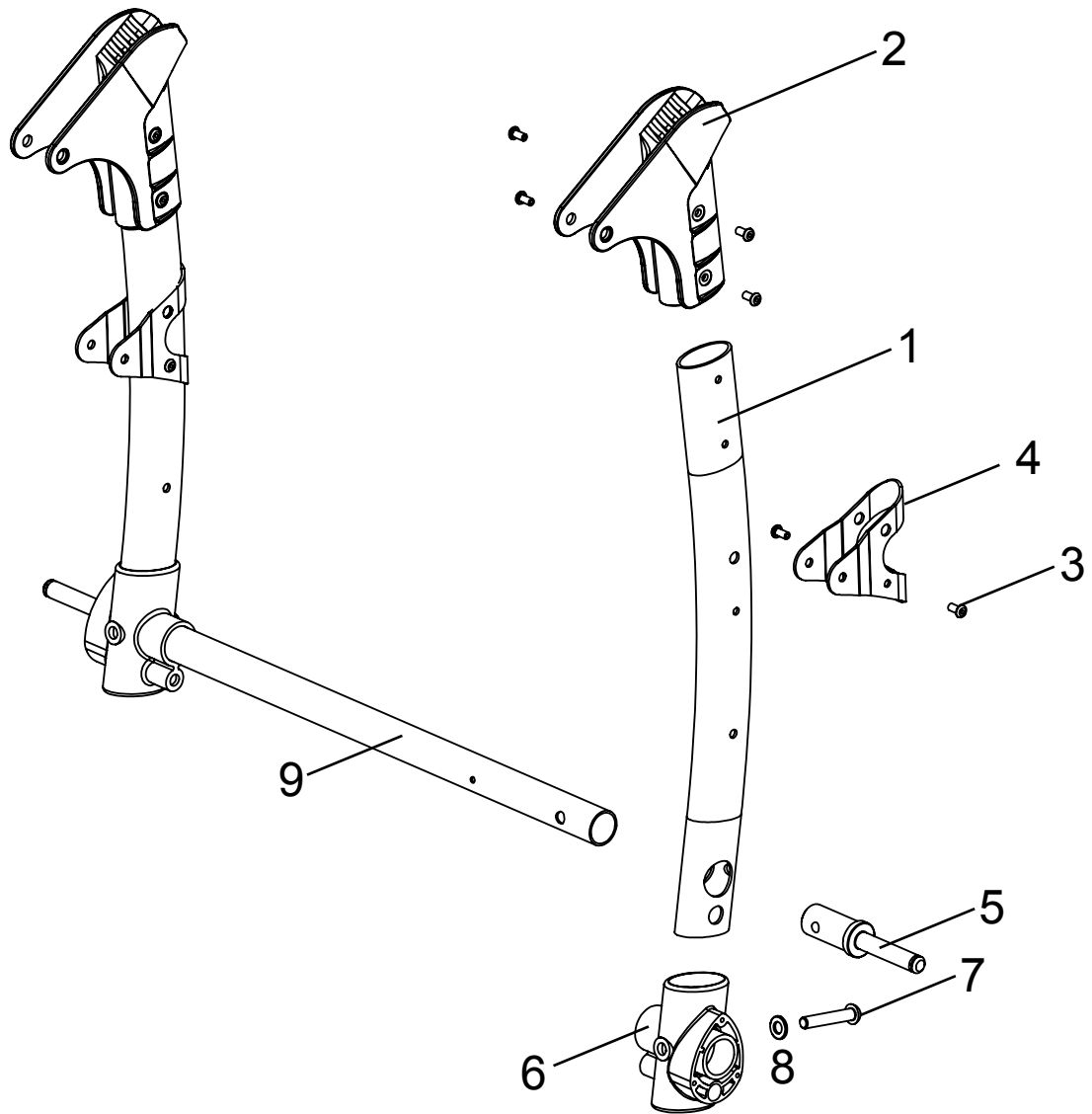
Pos	Article number	Article description	Quantity	Unit
1-9	3231-1300E-xxx	Front bar	1	Pc.
1	3231-1310-xxx	Front bar	2	Pc.
2	1114-0025	Bushing zp 8x0,8x27	2	Pc.
3	1113-0003	Washer PA 18x8,4x1 black	4	Pc.
4	1114-0027	Threaded bushing 8xM6x32	2	Pc.
5	1141-0009	Ribbed insert SFL 25x1-2,5	2	Pc.
6	1029-0612	Button head socket screw zp DIN/ISO 7380 M6x12	4	Pc.
7	1029-0640	Button head socket screw zp DIN/ISO 7380 M6x40	2	Pc.
8	1044-0006	Hexagonal domed cap nut self-locking zp DIN/ISO 986 M6	2	Pc.
9	1051-0006	Washer A6,4 zp DIN/ISO 125 A6,4	2	Pc.

Spare parts



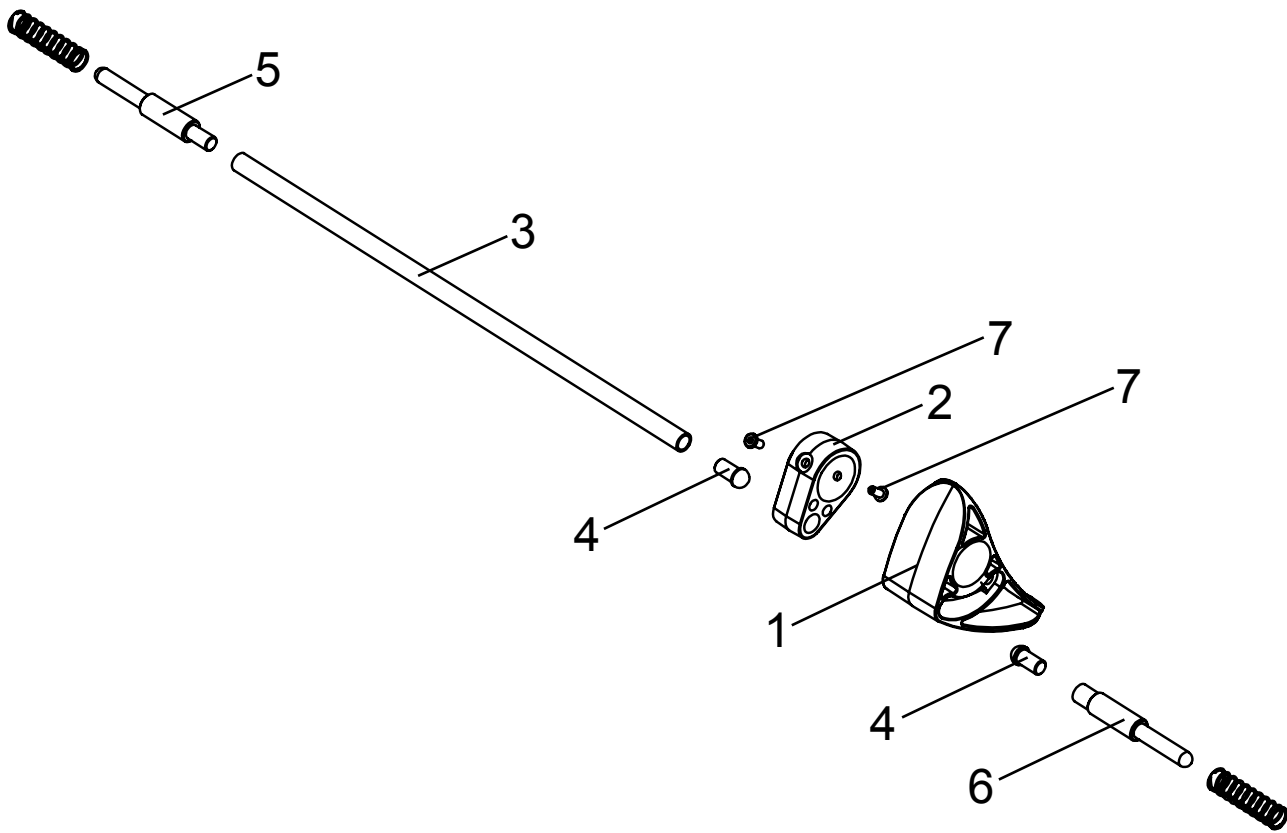
Pos	Article number	Article description	Quantity	Unit
1-14	3231-7400E-024	Frame suspension system, fourfold adjustable (retrofit)	1	Set
1	3231-7432	Spring hanger (at the bottom)	2	Pc.
2	3231-7433-006	Guide tube, suspension	2	Pc.
3	3231-7434	Spring hanger (at the top)	2	Pc.
4	3231-7435	Guiding bushing, suspension	2	Pc.
5	3231-7436	Bushing	2	Pc.
6	1131-0066-009	Pressure spring, yellow	2	Pc.
7	1131-0069-011	Pressure spring, red	2	Pc.
8	1114-0025	Bushing zp 8x0,8x27	2	Pc.
9	1071-0630	Parallel pin DIN/ISO 7 6M6x30	2	Pc.
10	1029-0640	Button head socket screw zp DIN/ISO 7380 M6x40	2	Pc.
11	1042-0006	Hexagon nut self-locking zp DIN/ISO 985 M6	2	Pc.
12	1051-0006	Washer A6,4 zp DIN/ISO 125 A6,4	2	Pc.
13	3231-7431-xxx	Front bar, suspension	2	Pc.
14	1141-0009	Ribbed insert SFL 25x1-2,5	2	Pc.

Spare parts



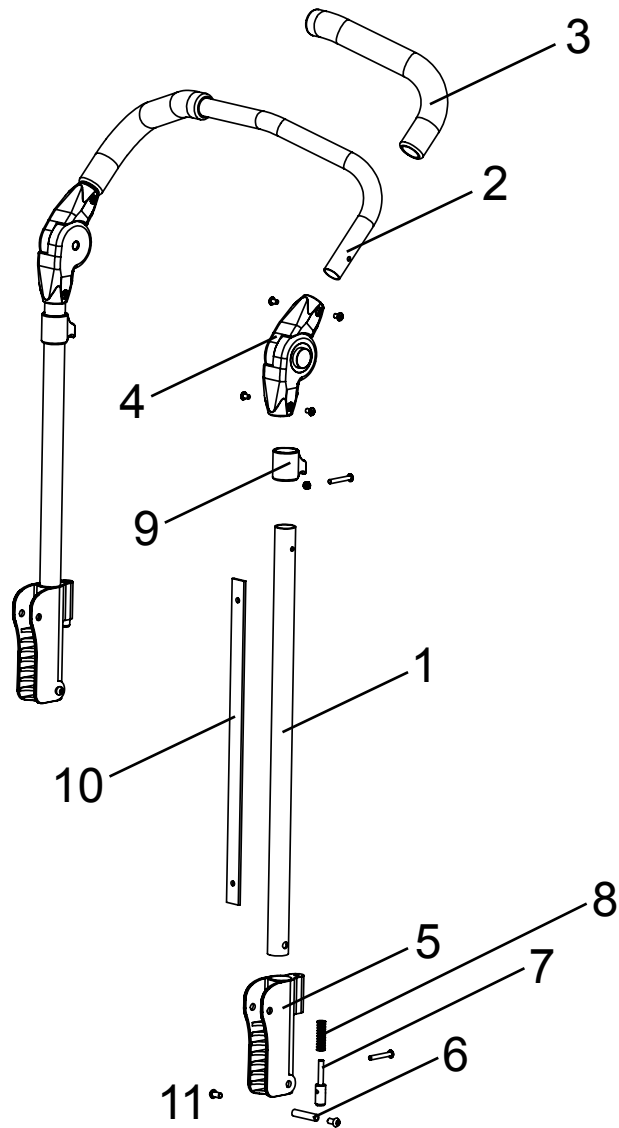
Pos	Article number	Article description	Quantity	Unit
1-8	3231-1200E-xxx	Rear frame size 1	1	Pc.
	3233-1200E-xxx	Rear frame size 2	1	Pc.
1-4	3231-1211E-xxx	Side bar	2	Pc.
2	3231-1213	Rear frame joint	2	Pc.
3	1069-0002	Blind rivet St/St DIN/ISO 7337 F5x10 black	12	Pc.
4	3231-1212-xxx	joint bandage	2	Pc.
5	3201-1240E	Axle stump	2	Pc.
6-8	3201-1280E	Connector	2	Pc.
7	1029-0845	Button head socket screw zp DIN/ISO 7380 M8x45	2	Pc.
8	1051-0008	Washer A8,4 zp DIN/ISO 125 A8,4	2	Pc.
9	3201-1220E-xxx	Axle tube size 1 with lock rod retainer	1	Pc.
	3203-1220E-xxx	Axle tube size 2 with lock rod retainer	1	Pc.

Spare parts



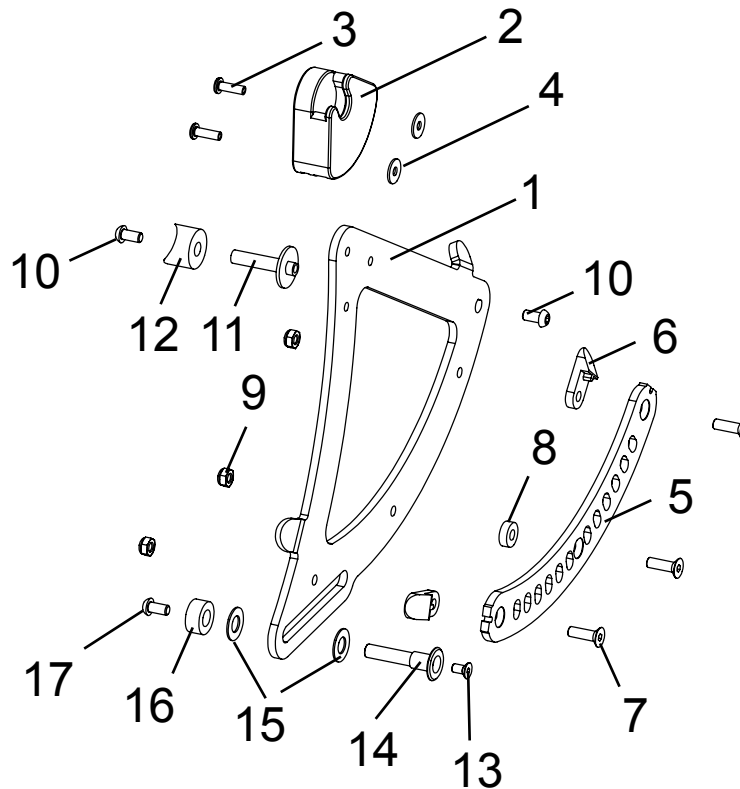
Pos	Article number	Article description	Quantity	Unit
1-7	3201-1301E-xxx	Brake size 1	1	Pc.
	3203-1301E-xxx	Brake size 2	1	Pc.
1	3201-1310	Wheel lock lever	1	Pc.
2	3201-1320	Wheel lock rod retainer	1	Pc.
3	3203-1330-xxx	Brake rod size 1	1	Pc.
		Brake rod size 2	1	Pc.
4	3201-1340	Slide insert	2	Pc.
5	3201-1350	Lock pin, left	1	Pc.
6	3201-1360	Lock pin right	1	Pc.
	1131-0034	Compression spring D-180Q-03 1,2x11x46,7	2	Pc.
7	1062-0408	Blind rivet St/St DIN/ISO 7337 F4x8	2	Pc.

Spare parts



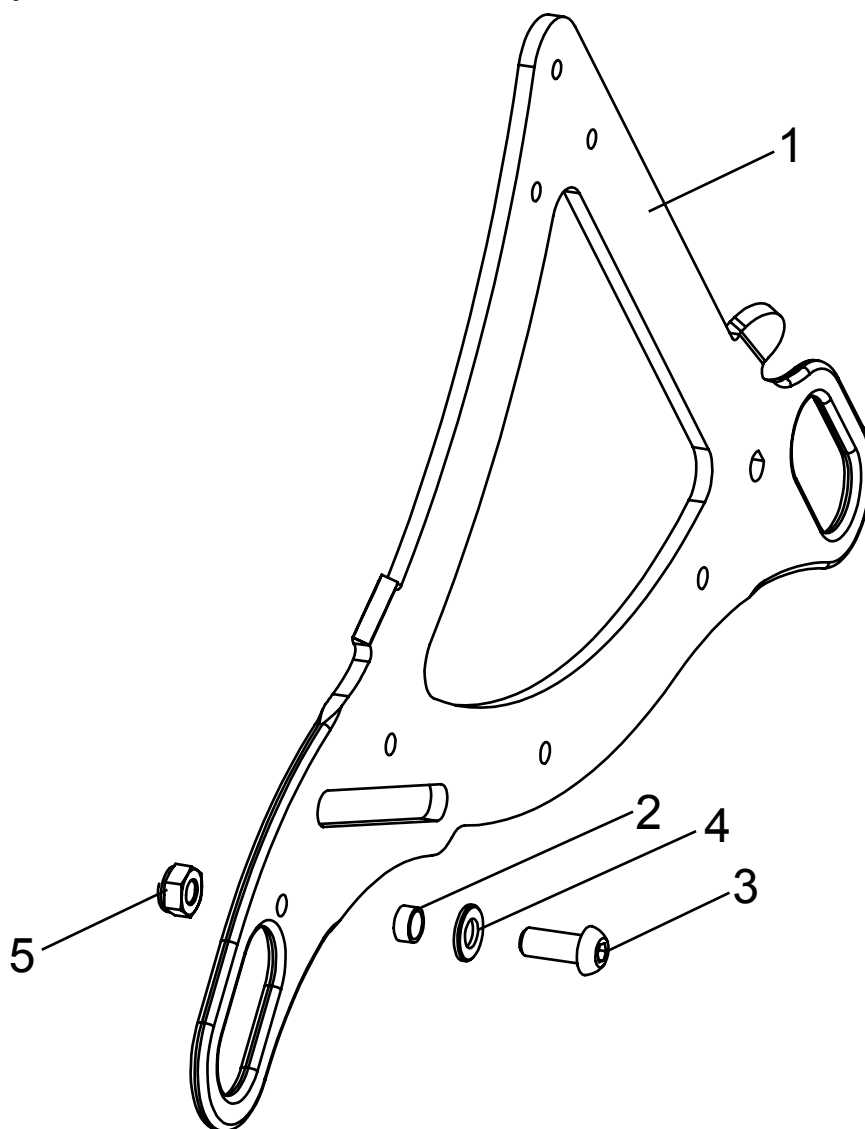
Pos	Article number	Article description	Quantity	Unit
1-11	3231-1400E-xxx	Push handle size 1	1	Pc.
	3233-1400E-xxx	Push handle size 2	1	Pc.
1	3231-1412-xxx	Push handle bottom part	2	Pc.
2	3231-1420E-xxx	Push handle upper part size 1	1	Pc.
	3233-1420E-xxx	Push handle upper part size 2	1	Pc.
3	1143-0001	Handle grip EVA black d30 x 260	2	Pc.
4	1129-0009E	Ratchet joint 25x22, with fasteners	1	pair
5	3231-1411	Push handle joint	2	Pc.
6	1114-0028	Threaded bushing 8xM6x38	2	Pc.
7	3231-1413	Folding-security bolt	2	Pc.
8	1131-0043	Compression spring D-143F, 0,9x9,50x35,00x8,5	2	Pc.
9	3231-1414	Activator	2	Pc.
10	3231-1415	Guide rail	2	Pc.
11	1029-0612	Button head socket screw	4	Pc.

Spare parts



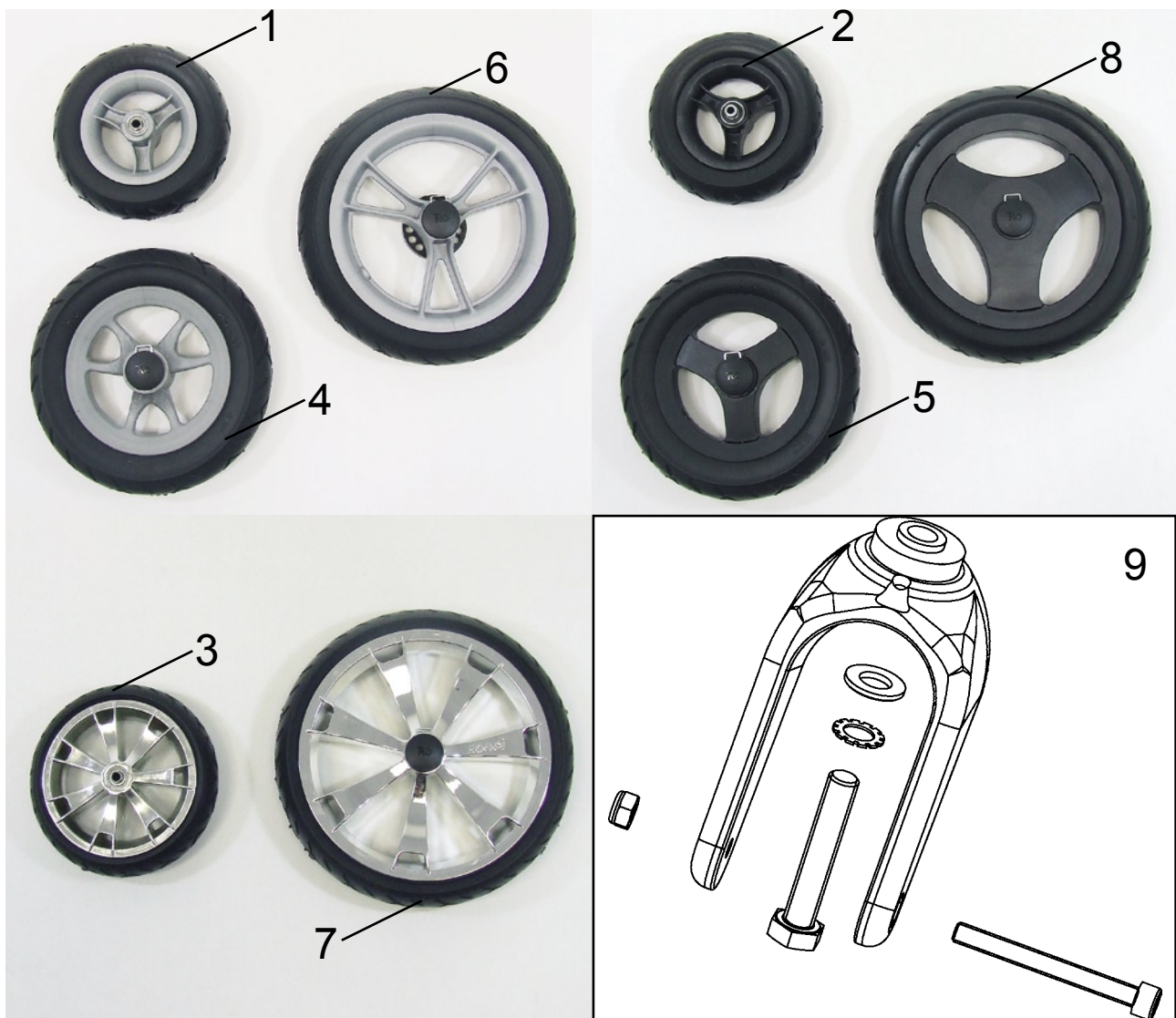
Pos	Article number	Article description	Quantity	Unit
1-17	3231-1510E-xxx	Bearing (seat), left (shown)	1	Pc.
	3231-1520E-xxx	Bearing (seat), right	1	Pc.
1-4	3231-1511E-xxx	Plate left (shown)	1	Pc.
	3231-1512E-xxx	Plate, right	1	Pc.
2	3231-1516	Scantlings bearing	1	Pc.
3	1062-0516	Blind rivet St/St DIN/ISO 7337 F5x16	2	Pc.
4	1055-0005	Washer A5,3	2	Pc.
5	3231-1513-006	Scantlings rail	1	Pc.
6	3231-1514	Latch ramp	2	Pc.
7	1024-0620	Hexagon socket countersunk head screw zp DIN/ISO 7991 M6x20	3	Pc.
8	1113-0051	Distance washer	1	Pc.
9	1042-0006	Hexagon nut self-locking zp DIN/ISO 985 M6	3	Pc.
10	1029-0612	Button head socket screw zp DIN/ISO 7380 M6x12	2	Pc.
11	3231-1515	Bearing shaft	1	Pc.
12	1111-0013	Saddle washer PA black 24x8.4x10	1	Pc.
13	1024-0510	Hexagon socket countersunk head screw zp DIN/ISO 7991 M5x10	1	Pc.
14	3231-1517	Guide shaft seat bearing	1	Pc.
15	1113-0050	Washer PA 10x21x1	2	Pc.
16	3231-1518	Distance bearing	1	Pc.
17	1029-6001	Button head socket screw, zp, Tufflock DIN/ISO 7380 M6x12	1	Pc.

Spare parts



Pos	Article number	Article description	Quantity	Unit
1-6	3231-7300E	Tie down kit according to ISO 7176-19 (retrofit)	1	Set
1	3231-7311E-024	Plate, left	1	Pc.
	3231-7312E-024	Plate, right	1	Pc.
2	3201-7350	Slide bushing	2	Pc.
3	1029-0820	Button head socket screw zp DIN/ISO 7380 M8x20	2	Pc.
4	1051-0008	Washer A8,4 zp DIN/ISO 125 A8,4	2	Pc.
5	1042-0008	Hexagon nut self-locking zp DIN/ISO 985 M8	2	Pc.
6	1914-0007	Adhesive lable with hook symbol (4 pcs.)	1	Pc.

Spare parts

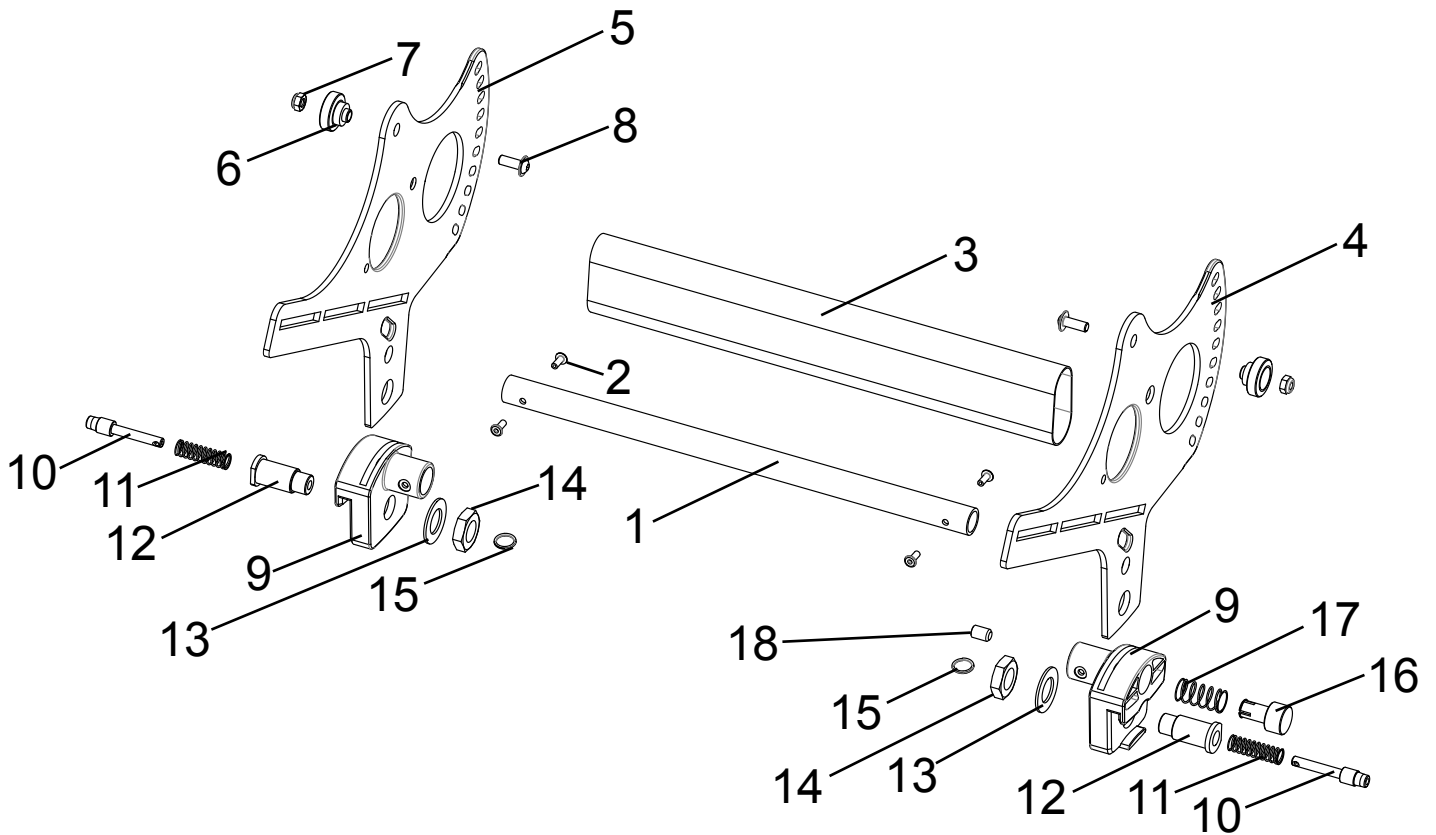


Pos	Article number	Article description	Quantity	Unit
1	1211-1950	pneumatic wheel 190/50	2	Pc.
	1221-1950	PU-wheel 190x50	2	Pc.
2	1211-0017	pneumatic wheel 190x50 with black 3 spoke plastic rim	2	Pc.
	1221-0017	PU-wheel 190x50 with black 3 spoke plastic rim	2	Pc.
3	1221-2048	PU-Wheel R200/48 (chrome rim)	2	Pc.
4	1211-0019	pneumatic wheel 250x50, with quick release	2	St.
	1221-0019	PU-wheel 250x50 with quick release	2	St.
5	1211-0018	pneumatic wheel 250x50, black 3 spoke plastic rim, quick release	2	St.
	1221-0018	PU-wheel 250x50, black 3 spoke plastic rim, quick release	2	St.
6	1211-2961	pneumatic wheel 290x60 with break disk and quick release	2	St.
	1221-2961	PU-wheel 290x60 with break disk and quick release	2	St.
7	1221-3061	PU-wheel 300x60 (chrome rim) with break disk and quick release	2	St.
8	1219-0019	pneumatic wheel 290x60, 3 spoke plastic rim, drum brake left side	1	St.
	1219-0020	pneumatic wheel 290x60, 3 spoke plastic rim, drum brake right side	1	St.
	1229-0019	PU-wheel 290x60, 3 spoke plastic rim, drum brake left side	1	St.
	1229-0020	PU-wheel 290x60, 3 spoke plastic rim, drum brake right side	1	St.
9	1281-0007E	Castor fork LG-K-200-15/12 compl.with fasteners	2	Pc.



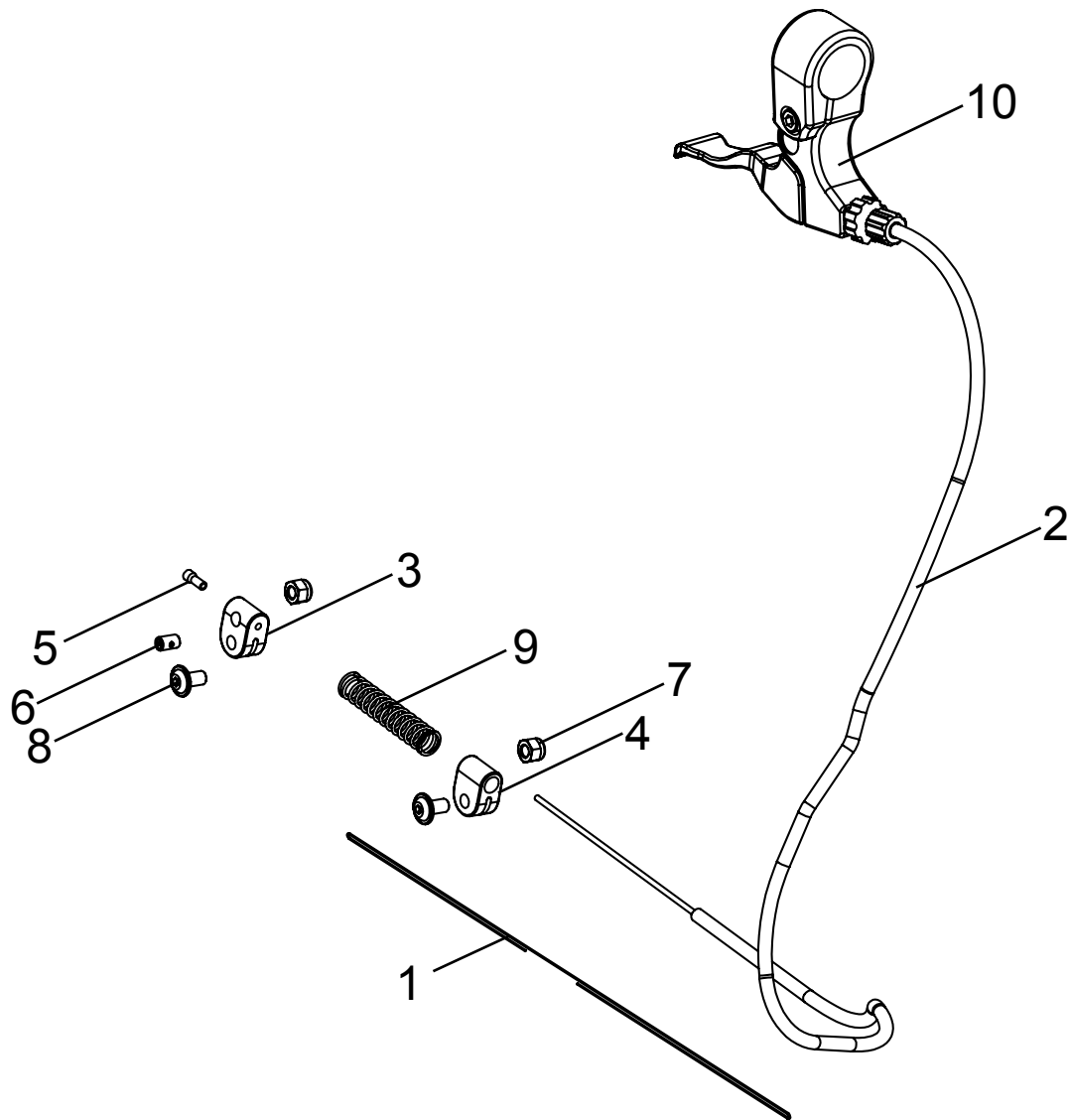
Pos	Article number	Article description	Quantity	Unit
1	1211-0020	pneumatic wheel R290/60, TRIKE front wheel	1	Pc.
	1221-0020	PU-wheel 290x60, TRIKE front wheel	1	Pc.
2	1211-0021	pneumatic wheel 290x60 on black 3-spoke rims, TRIKE front wheel	1	Pc.
	1221-0021	PU-wheel 290x60 on black 3-spoke rims, TRIKE front wheel	1	Pc.
3	3206-1140	hollow axle	1	Pc.
4	3206-1150	pressure bushing L 19	1	Pc.
5	3206-1160	pressure bushing L 23	1	Pc.
6	1205-0004	quick release 128mm for hollow axle	1	Pc.

Spare parts



Pos	Article number	Article description	Quantity	Unit
1-18	3231-2100E-xxx	Seat base size 1 complete	1	Pc.
	3233-2100E-xxx	Seat base size 2 complete	1	Pc.
1	3231-2119E-xxx	Cross brace size 1	1	Pc.
	3233-2119E-xxx	Cross brace size 2	1	Pc.
2	1062-0410	Blind rivet St/St DIN/ISO 7337 F4x10	4	Pc.
3	3231-2140	Cover for tilt mechanism size 1	1	Pc.
	3233-2140	Cover for tilt mechanism size 2	1	Pc.
4	3231-2121-006	Side plate for seat base, left side, black anodized	1	Pc.
5	3231-2122-006	Side plate for seat base, right side, black anodized	1	Pc.
6	3231-2113	Scantlings shaft	2	Pc.
7	1042-0006	Hexagon nut self-locking zp DIN/ISO 985 M6	2	Pc.
8	1030-0616	Button head socket screw with flange zp M6x16	2	Pc.
9	3231-2114	Scantlings guide	2	Pc.
10	3240-2422	Locking bolt	2	Pc.
11	1131-0043	Compression spring D-143F, 0,9x9,50x35,00x8,5	2	Pc.
12	3231-2115	Locking bolt housing	2	Pc.
13	1052-0016	Spring washer B16 zp DIN/ISO 137 B16	2	Pc.
14	1040-0016	Hexagon nut zp DIN/ISO 439 BM 16x 1,5	2	Pc.
15	1129-0012	Key ring 24x1,5	2	Pc.
16	3231-2124	Lock button	1	Pc.
17	1131-0065	Compression spring D-117J 0,8x14x38,5x3,5	1	Pc.
18	1031-0812	Hexagon socket set screw zp DIN/ISO 913 M8x12	1	Pc.

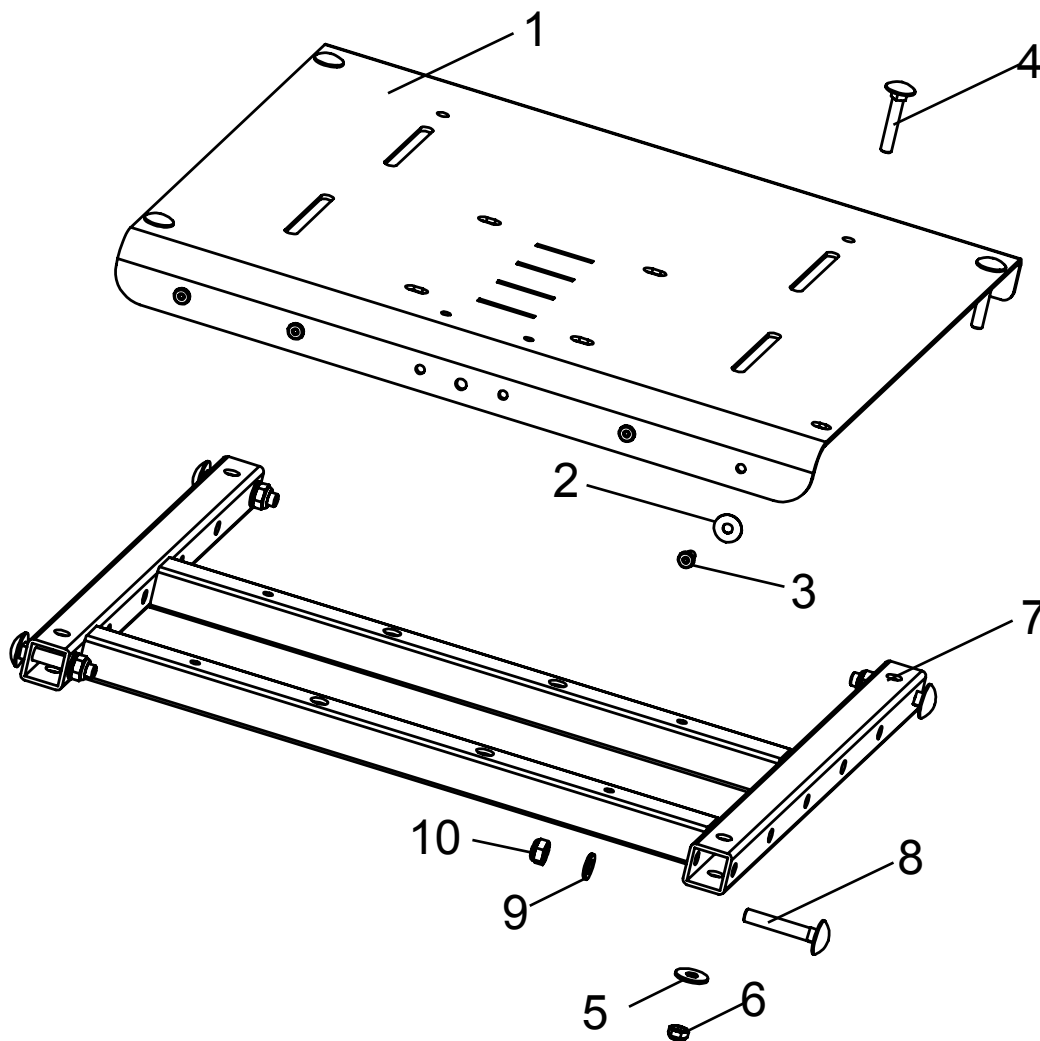
Spare parts



Pos	Article number	Article description	Quantity	Unit
1-8	3231-1900E	Tilt mechanism	1	Set
1	1129-0011	Wire-rope	0,5	m
2	1209-0029	Bowden cable BZ-670x780	1	Pc.
3	3243-1932	Nipple bearing	1	Pc.
4	3243-1931	Bowden bearing	1	Pc.
5	1209-0007	End cap aluminium U-BA-S for Bowden cable wire	1	Pc.
6	1099-0004	Screw nipple 1100, D5x8	1	Pc.
7	1042-0005	Hexagon nut self-locking zp DIN/ISO 985 M5	2	Pc.
8	1030-0512	Button head socket screw with flange zp M5x12	2	Pc.
9*	1131-0062-008	Compression spring D-180-13 1,1x9x50x12,5	1	Pc.
10	1209-0017	Brake lever with splittet bracket, d 22 mm black	1	Pc.

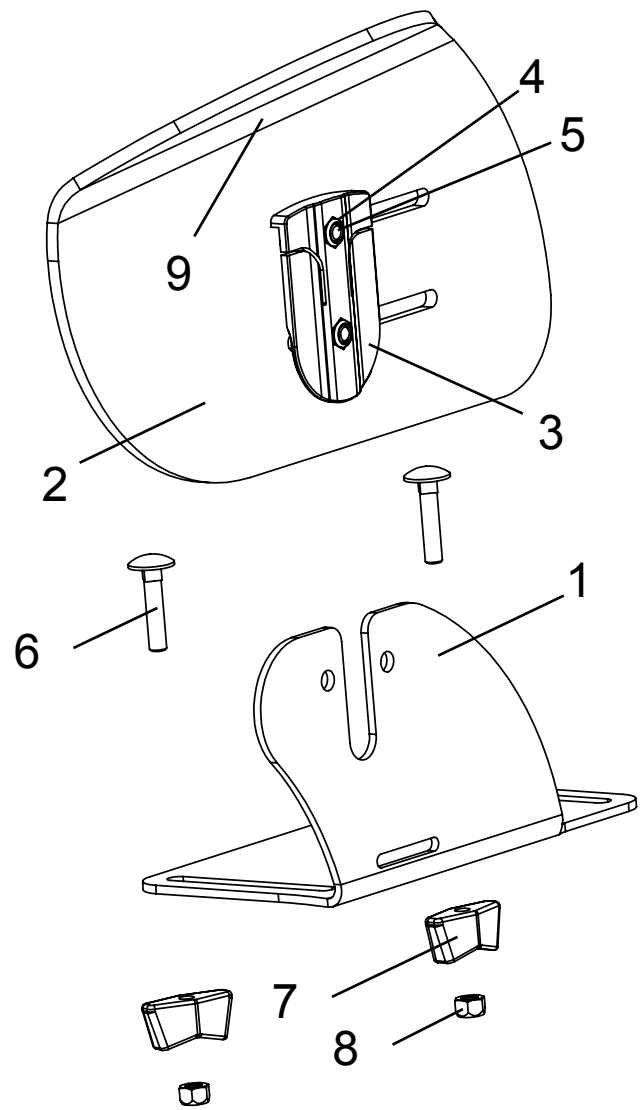
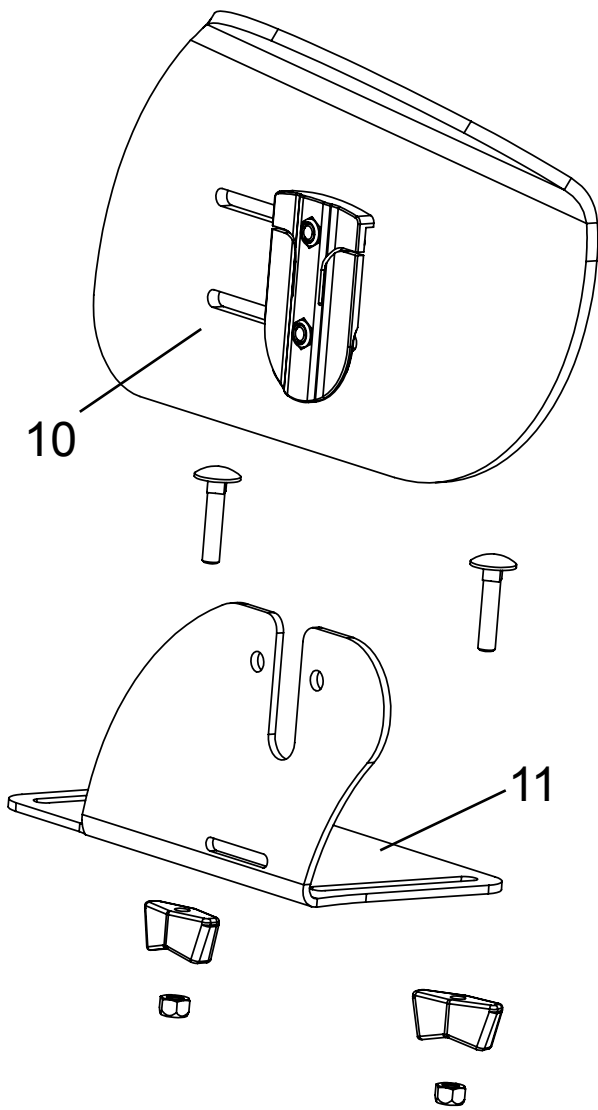
* = Please order that article also for models until year of construction 07/2012!

Spare parts



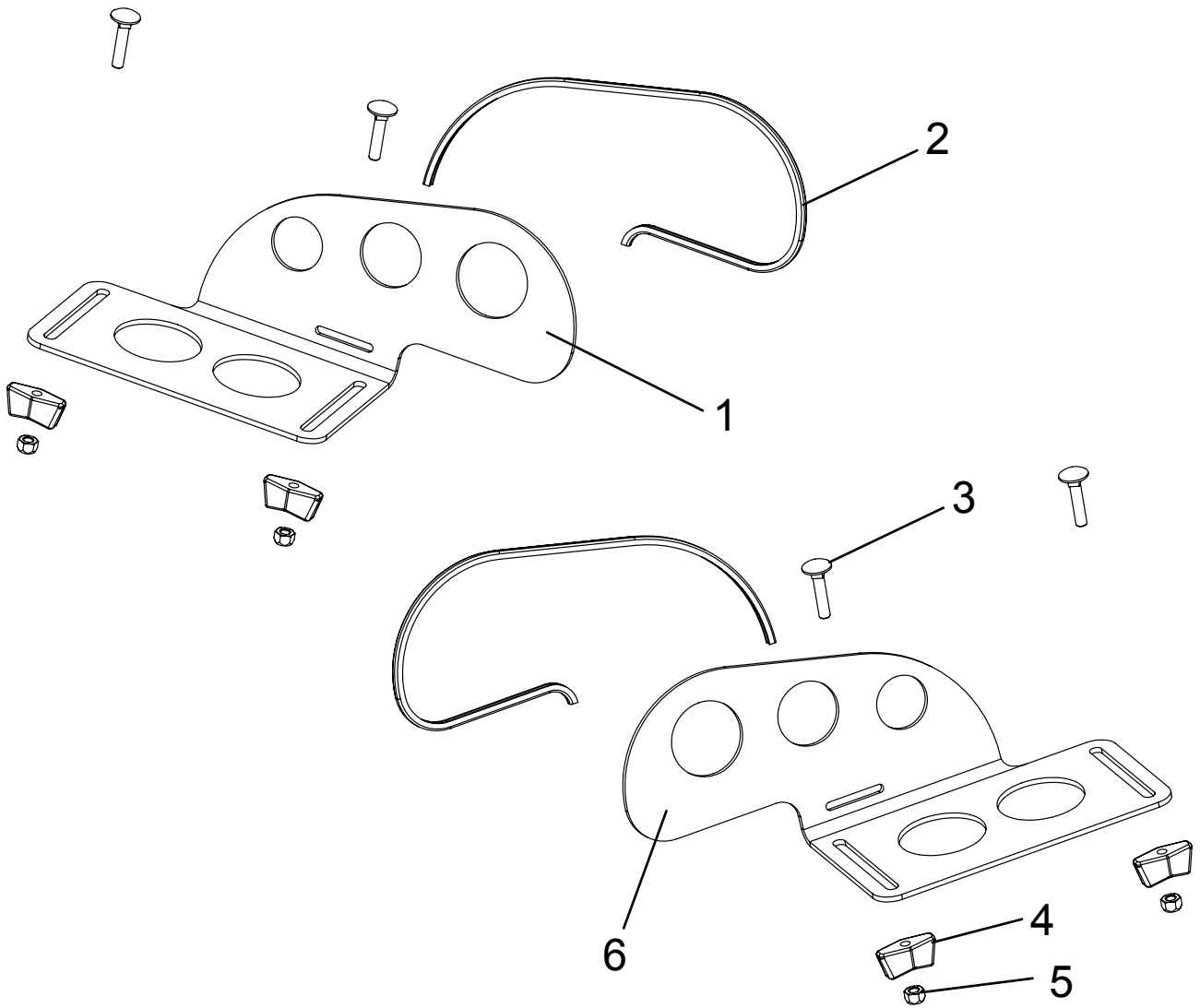
Pos	Article number	Article description	Quantity	Unit
1-10	3231-2200E-024	Seat surface size 1	1	Pc.
	3233-2200E-024	Seat surface size 2	1	Pc.
1-6	3231-2221E-024	Seat surface size 1 with rivets and tack buttons	1	Pc.
	3233-2221E-024	Seat surface size 2 with rivets and tack buttons	1	Pc.
2	1533-0005	Ring-ball part DRK 95B	6	Pc.
3	1062-0408	Blind rivet St/St DIN/ISO 7337 F4x8	6	Pc.
4	1026-0530	Mushroom head square neck bolt zp DIN/ISO 603 M5x30	4	Pc.
5	1055-0005	Washer A5,3 zp DIN/ISO 9021 A5,3	4	Pc.
6	1042-0005	Hexagon nut self-locking zp DIN/ISO 985 M5	4	Pc.
7-10	3231-2210E-024	seat frame size 1 with fastenerst	1	Pc.
	3233-2210E-024	seat frame size 2 with fastenerst	1	Pc.
8	1026-0635	Mushroom head square neck bolt zp DIN/ISO 603 M6x35	4	Pc.
9	1051-0006	Washer A6,4 zp DIN/ISO 125 A6,4	4	Pc.
10	1042-0006	Hexagon nut self-locking zp DIN/ISO 985 M6	4	Pc.

Spare parts



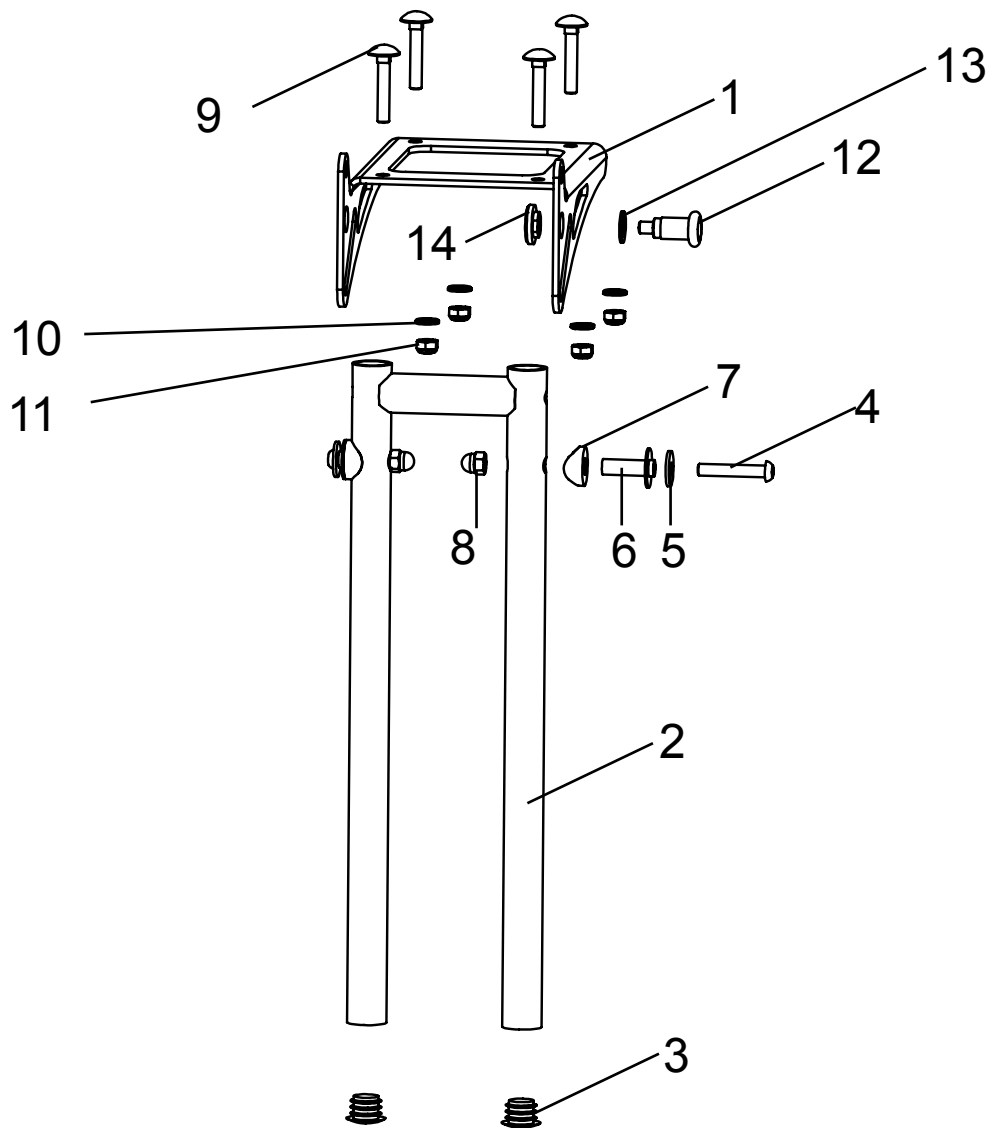
Pos	Article number	Article description	Quantity	Unit
1-9	3231-2601E	Hip supports, left, size 1	1	Pc.
	3233-2601E	Hip supports, left, size 2	1	Pc.
1	3231-2611-024	Bracket for hip supports, left, size 1	1	Pc.
	3233-2611-024	Bracket for hip supports, left, size 2	1	Pc.
2	3231-2621	Hip support formed part, left size 1	1	Pc.
	3233-2621	Hip support formed part, left size 2	1	Pc.
3	3231-2622	Locking hinge	1	Pc.
4	1030-0512	Button head socket screw with flange zp M5x12	2	Pc.
5	1042-0005	Hexagon nut self-locking zp DIN/ISO 985 M5	2	Pc.
6	1026-0525	Mushroom head square neck bolt zp DIN/ISO 603 M5x25	2	Pc.
7	1123-0500	Wing nut PA black M5 M5 BPF 20	2	Pc.
8	1049-0048	Trelock-nut zp M5	2	Pc.
9	1501-0003	Hook strap black 25mm self adhesive A glue	0,12	cm
3-10	3231-2602E	Hip supports, right, size 1	1	Pc.
	3233-2602E	Hip supports, right, size 2	1	Pc.
9	3231-2612-024	Bracket for hip supports, right, size 1	1	Pc.
	3233-2612-024	Bracket for hip supports, right, size 2	1	Pc.
10	3231-2623	Hip support formed part, right, size 1	1	Pc.
	3233-2623	Hip support formed part, right, size 2	1	Pc.

Spare parts



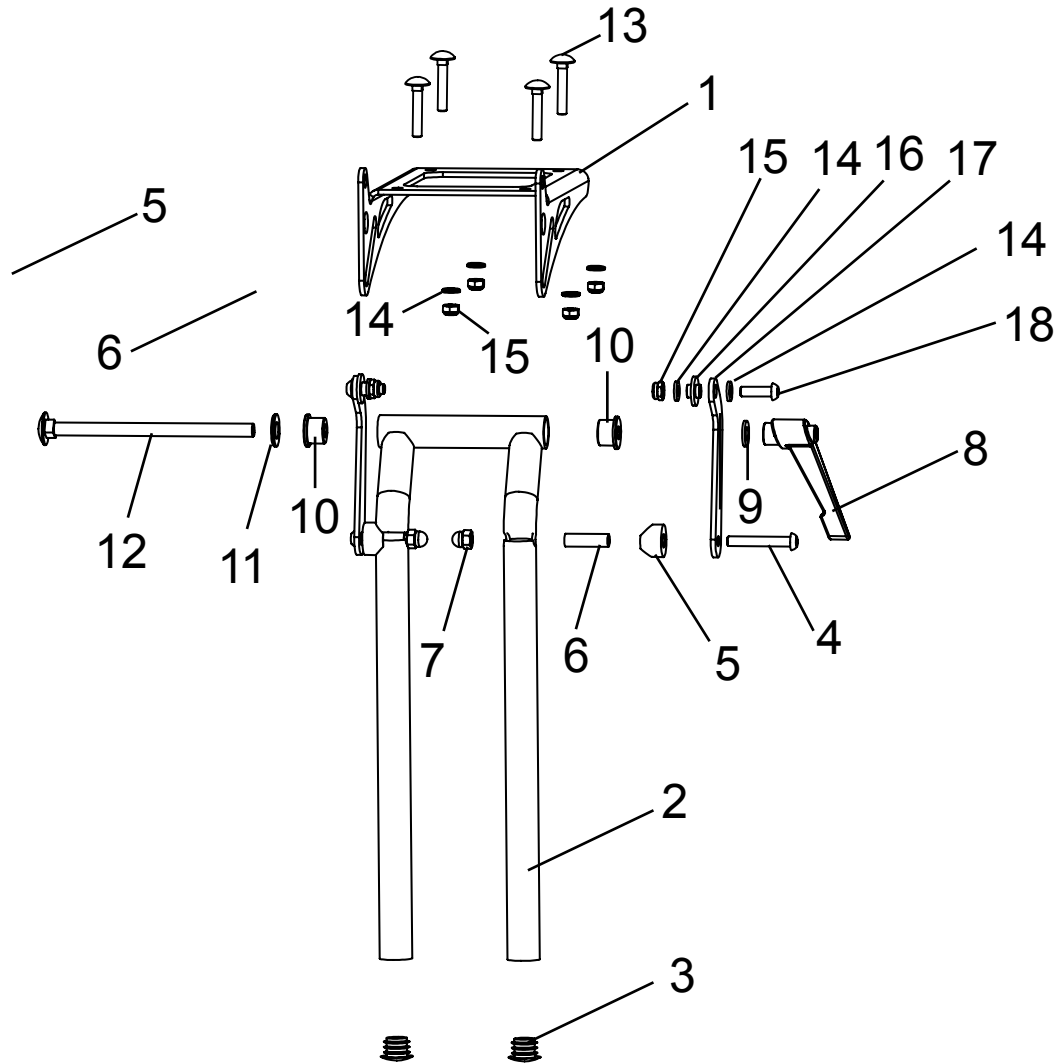
Pos	Article number	Article description	Quantity	Unit
1-7	3231-2901E	Thigh supports, left, size 1	1	Pc.
	3233-2901E	Thigh supports, left, size 2	1	Pc.
1	3231-2911	Pelotte thigh support, left, size 1	1	Pc.
	3233-2911	Pelotte thigh support, left, size 2	1	Pc.
2	1144-0001	Profile, size 1 (32 cm)	0,32	mtr
	1144-0001	Profile, size 2 (37 cm)	0,37	mtr
3	1026-0525	Mushroom head square neck bolt zp DIN/ISO 603 M5x25	2	Pc.
4	1123-0500	Wing nut PA black M5 M5 BPF 20	2	Pc.
5	1049-0058	Trelock-nut zp DIN/ISO 980 VM5	2	Pc.
2-6	3231-2902E	Thigh supports, right, size 1	1	Pc.
	3233-2902E	Thigh supports, right, size 2	1	Pc.
6	3231-2912	Pelotte thigh support, right, size 1	1	Pc.
	3233-2912	Pelotte thigh support, right, size 2	1	Pc.

Spare parts



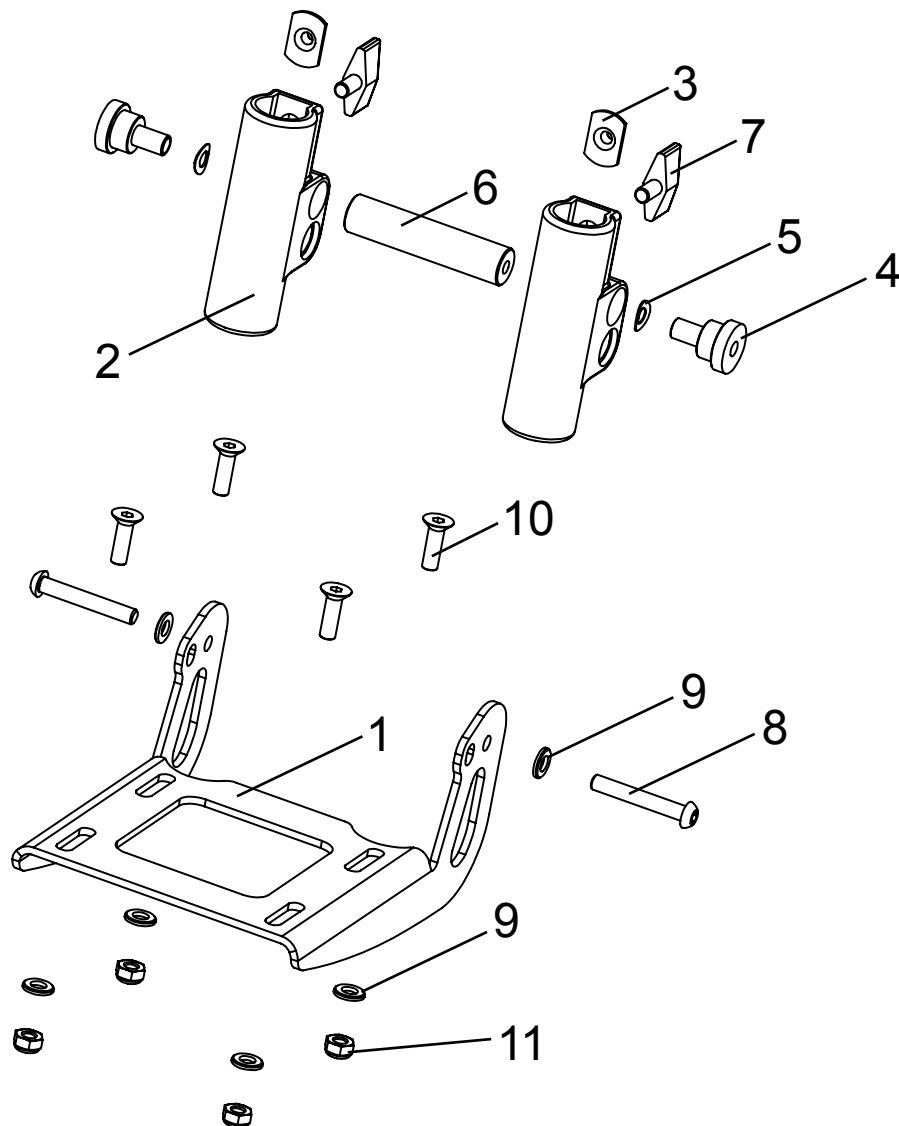
Pos	Article number	Article description	Quantity	Unit
1-16	3231-2501E-024	Footrest hanger 90°, size 1	1	Pc.
	3233-2501E-024	Footrest hanger 90°, size 2	1	Pc.
1	3231-2411-006	Console for footrest	1	Pc.
2	3231-2520-024	Bracket for footrest hanger 90°, size 1	1	Pc.
	3233-2520-024	Bracket for footrest hanger 90°, size 2	1	Pc.
3	1141-0006	Ribbed insert SFL 20x0,8-2,5	2	Pc.
4	1029-0630	Button head socket screw zp DIN/ISO 7380 M6x30	2	Pc.
5	1055-0006	Washer zp A6,4 zp DIN/ISO 9021 A6,4	2	Pc.
6	3231-2532	Pivot bearing	2	Pc.
7	1111-0016	Saddle washer PA black 20x8.4x3	2	Pc.
8	1044-0006	Hexagonal domed cap nut self-locking zp DIN/ISO 986 M6	2	Pc.
9	1026-0635	Mushroom head square neck bolt zp DIN/ISO 603 M6x35	4	Pc.
10	1051-0006	Washer A6,4 zp DIN/ISO 125 A6,4	4	Pc.
11	1042-0006	Hexagon nut self-locking zp DIN/ISO 985 M6	4	Pc.
12	1127-0010	Lock pin ZS-10x1-OA-KS d6xM10xS10x31	1	Pc.
13	1059-0001	Shim ring zp DIN/ISO 988 10x16x1,2	1	Pc.
14	3231-2544	Nut for Lock pin	1	Pc.

Spare parts



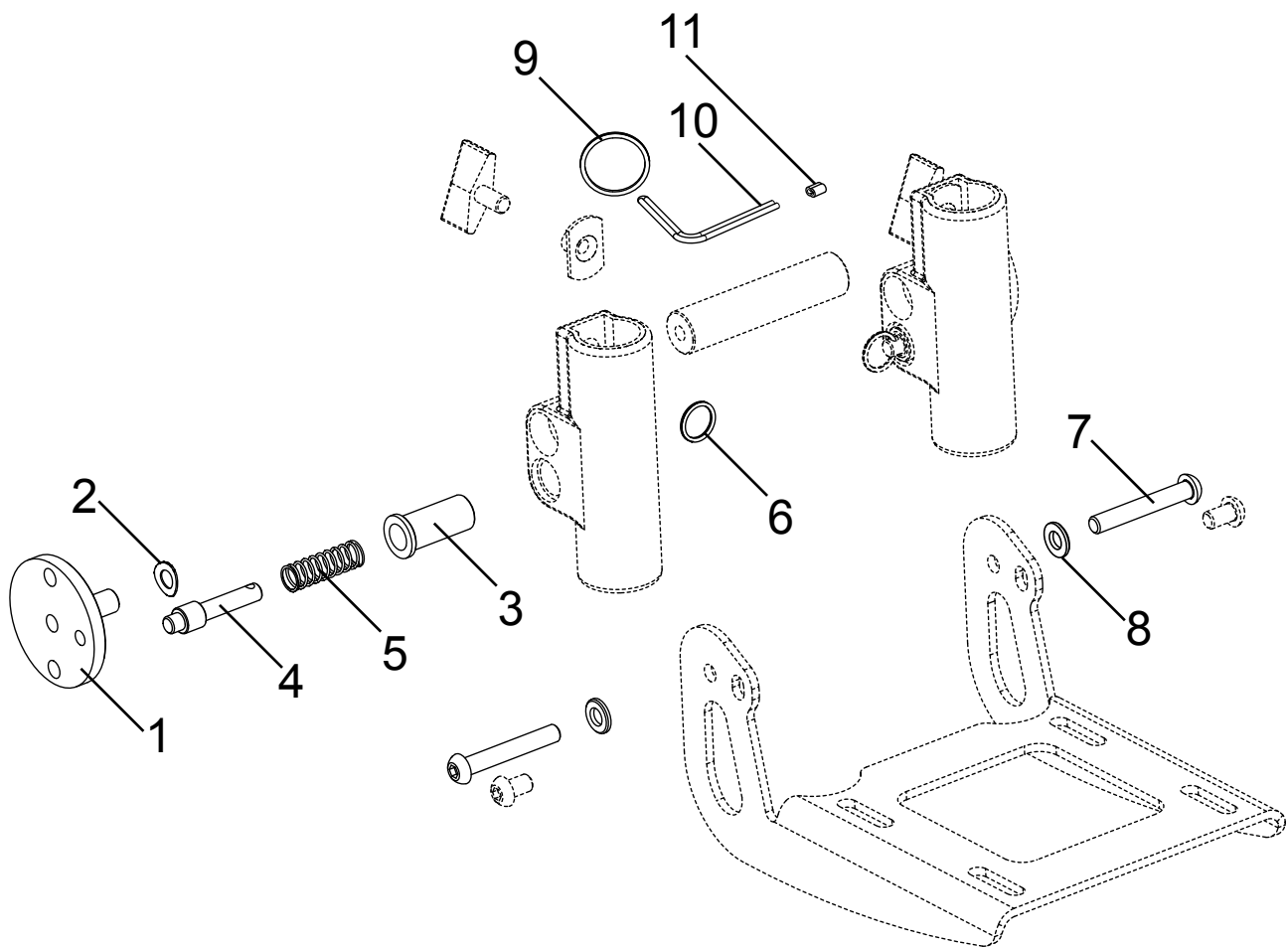
Pos	Article number	Article description	Quantity	Unit
1-19	3231-2401E-024	Footrest hanger angle adjustable, size 1	1	Pc.
	3233-2401E-024	Footrest hanger angle adjustable, size 2	1	Pc.
1	3231-2411-006	Console for footrest hanger	1	Pc.
2	3240-2870-024	Bracket for footrest hanger angle adjustable, size 1	1	Pc.
	3233-2410-024	Bracket for footrest hanger angle adjustable, size 2	1	Pc.
3	1141-0006	Ribbed insert SFL 20x0,8-2,5	2	Pc.
4	1029-0640	Button head socket screw zp DIN/ISO 7380 M6x40	2	Pc.
5	1111-0018	Saddle washer PA black 20x8.4x7	2	Pc.
6	1114-0025	Bushing zp 8x0,8x27	2	Pc.
7	1044-0006	Hexagonal domed cap nut self-locking zp DIN/ISO 986 M6	2	Pc.
8	1121-0800	Locking lever PA black M8 DIN/ISO 603 M8	1	Pc.
9	1051-0008	Washer A8,4 zp DIN/ISO 125 A8,4	1	Pc.
10	3240-2864	Clamp bushing	2	Pc.
11	1051-0012	Washer A13 zp DIN/ISO 125 A 13	1	Pc.
12	1026-0813	Mushroom head square neck bolt zp DIN/ISO 603 M8x130	1	Pc.
13	1026-0635	Mushroom head square neck bolt zp DIN/ISO 603 M6x35	4	Pc.
14	1051-0006	Washer A6,4 zp DIN/ISO 125 A6,4	8	Pc.
15	1042-0006	Hexagon nut self-locking zp DIN/ISO 985 M6	4	Pc.
16	3210-1238	shoulder Bushing	2	Pc.
17	3231-2432-024	Pivot lever strut	2	Pc.
18	1029-0620	Button head socket screw zp DIN/ISO 7380 M6x20	2	Pc.

Spare parts



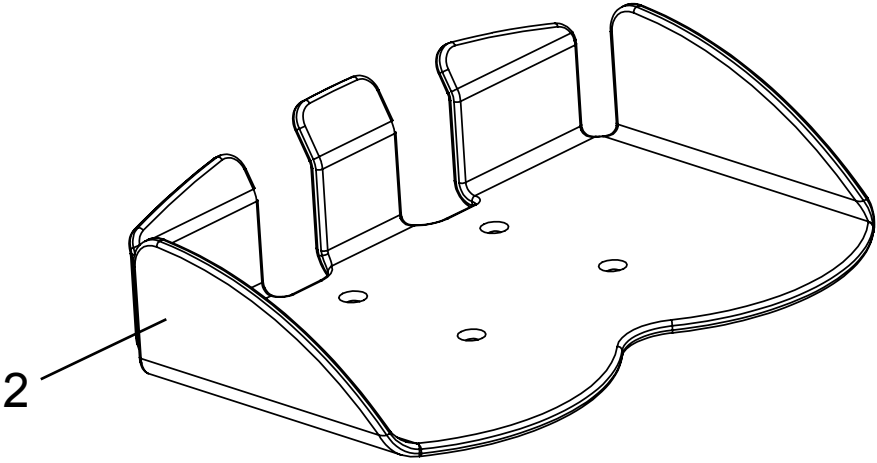
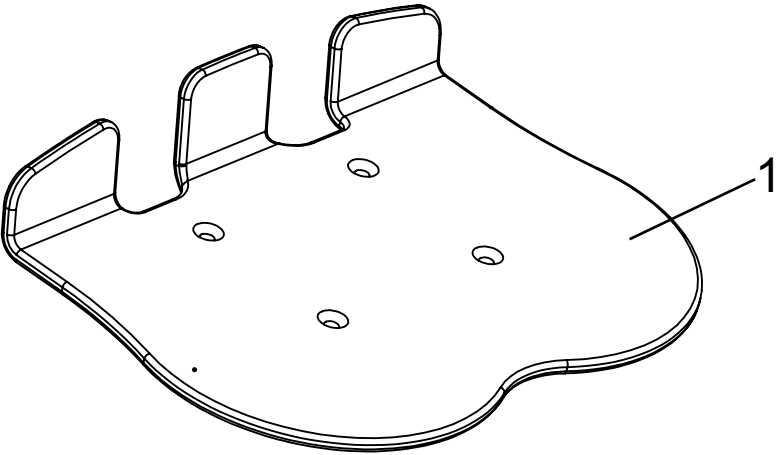
Pos	Article number	Article description	Quantity	Unit
1-11	3240-2901E-024	EVO foot board assembly angle adjustable and foldable	1	Pc.
1	3240-2911-024	foot rest bracket	1	Pc.
2	3201-2520	footboard holder	2	Pc.
3	1049-0052	T-nut L-769 zp 22x14xM6x8,5	2	Pc.
4	3201-2530	Bushing	2	Pc.
5	1052-0008	Spring washer B8 zp DIN/ISO 137 B8	2	Pc.
6	3240-2913	Stabilisator	1	Pc.
7	1123-0612	Thumbscrew Pa black M6x12 M6x BPF 20	2	Pc.
8	1029-0640	Button head socket screw zp DIN/ISO 7380 M6x40	2	Pc.
9	1051-0006	Washer A6,4 zp DIN/ISO 125 A6,4	6	Pc.
10	1024-0620	Hexagon socket countersunk head screw zp DIN/ISO 7991 M6x20	4	Pc.
11	1042-0006	Hexagon nut self-locking zp DIN/ISO 985 M6	4	Pc.

Spare parts



Pos	Article number	Article description	Quantity	Unit
1-11	3240-2950	Footrest flip up lock	1	Set
1	3201-7510	Lock plate	2	Pc.
2	1052-0008	Spring washer B8 zp DIN/ISO 137 B8	2	Pc.
3	3201-7520	Spring housing	2	Pc.
4	3201-7530	Lock pin	2	Pc.
5	1131-0036	Compression spring D-127d 0,8x8,3x29	2	Pc.
6	1129-0012	Key ring 24x1,5	2	Pc.
7	1029-0640	Button head socket screw zp DIN/ISO 7380 M6x40	2	Pc.
8	1051-0006	Washer A6,4 zp DIN/ISO 125 A6,4	2	Pc.
9	1129-0003	Key ring 24x1,5	1	Pc.
10	1129-0011	Wire-rope	0,12 m	
11	1089-0005	Cable clamp	1	Pc.

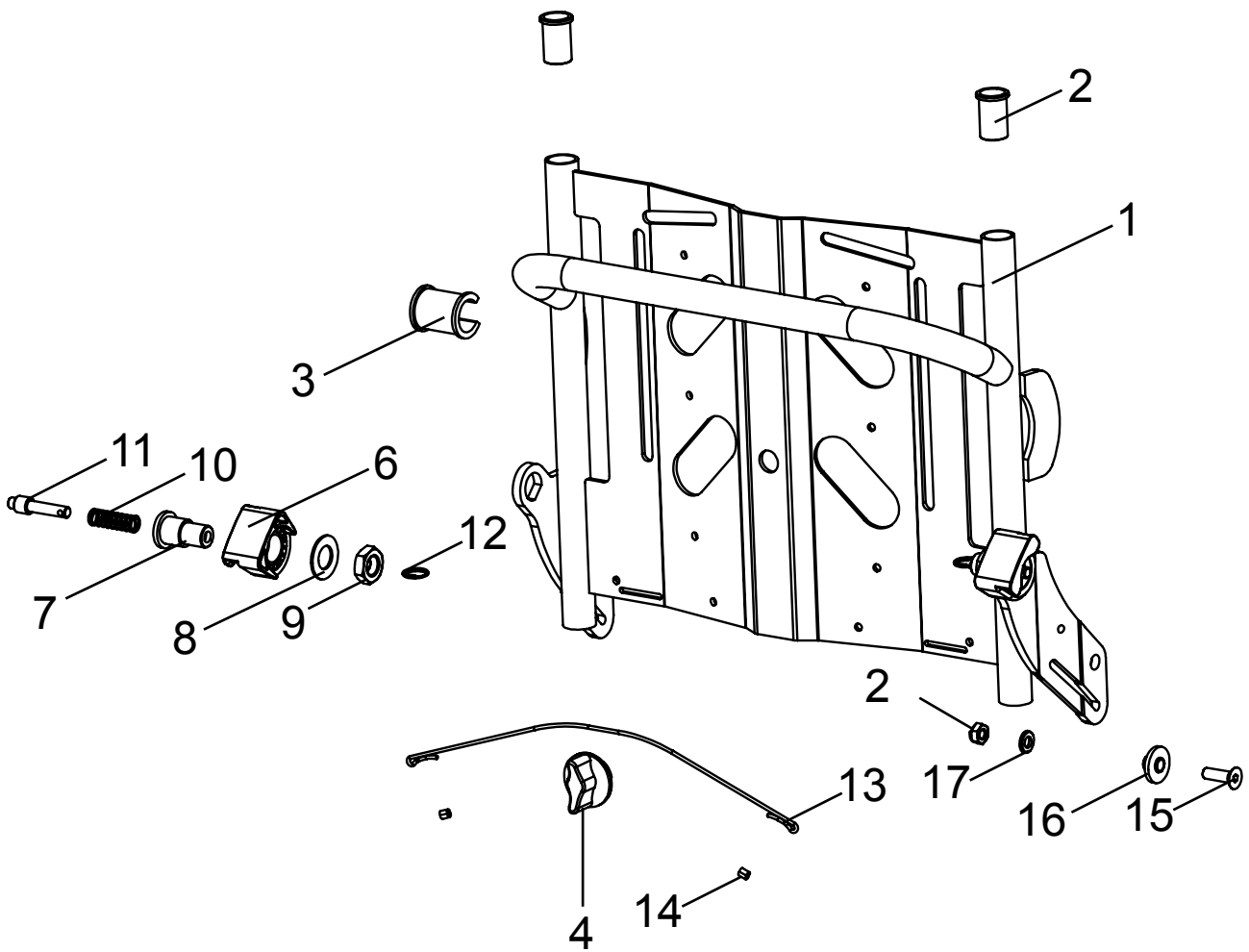
Spare parts



Pos	Article number	Article description	Quantity	Unit
1	3231-249xE	Evo foot rest with heel stop	1	Pc.
2	3231-2551E	Bingo-Evo foot plate in boat form size 1	1	Pc.
	3233-2551E	Bingo-Evo foot plate in boat form size 2	1	Pc.

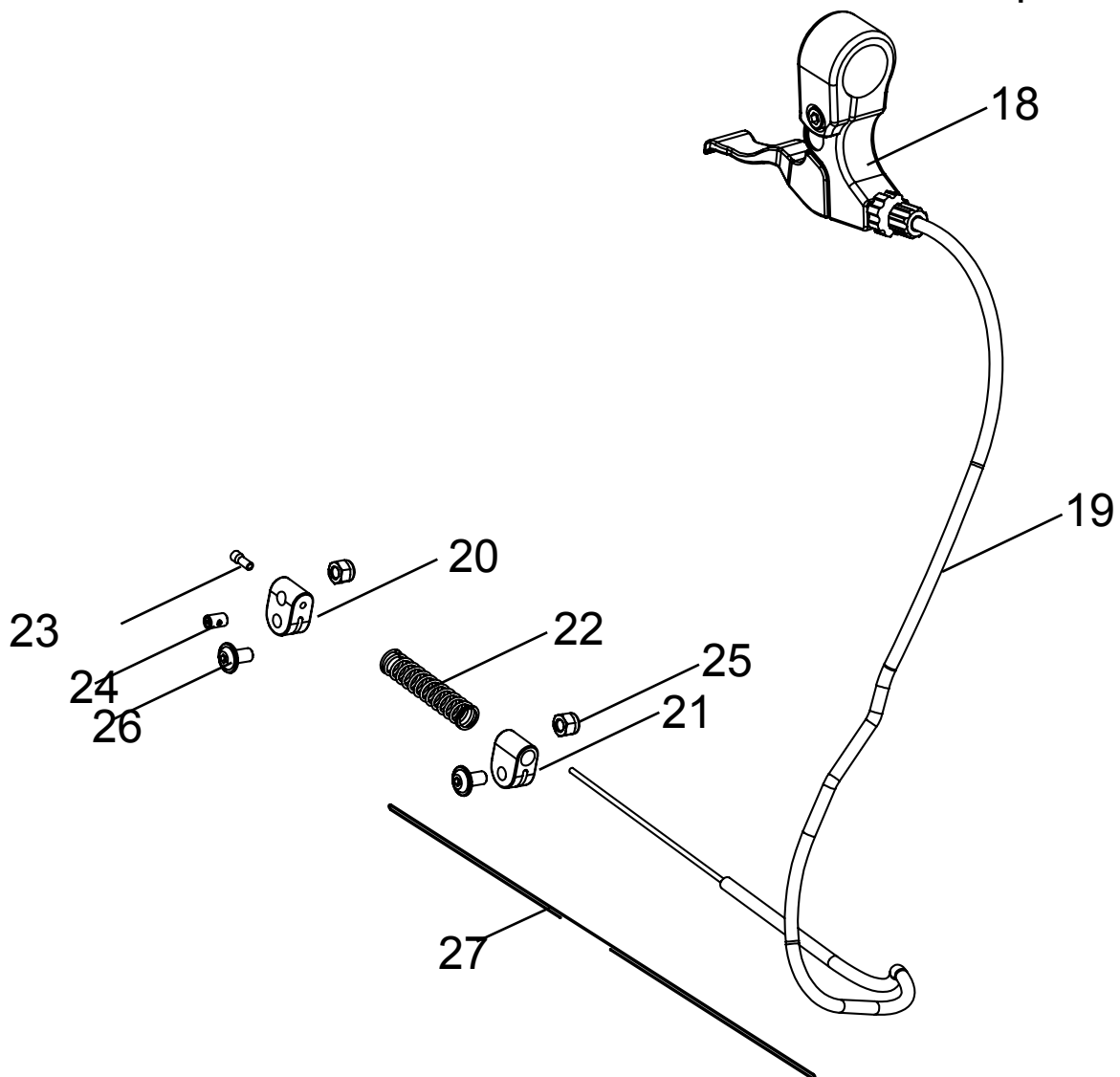
- 1 = 27 cm
- 2 = 29 cm
- 3 = 31 cm
- 4 = 33 cm
- 5 = 35 cm

Spare parts



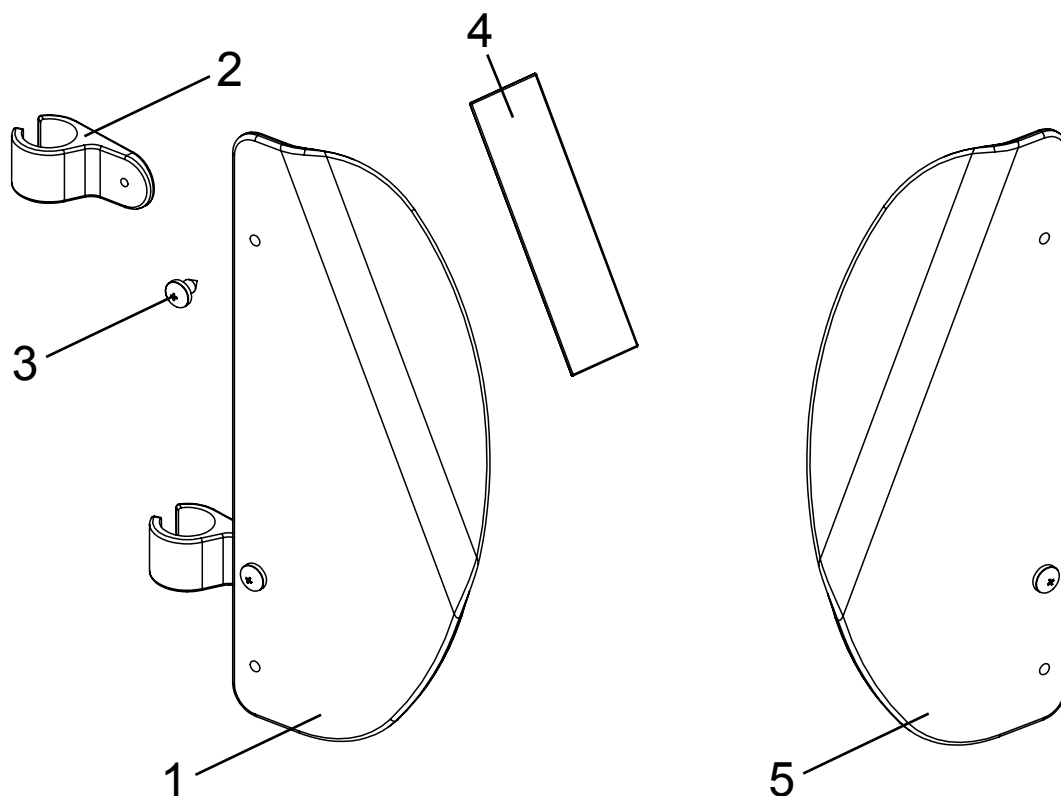
Pos	Article number	Article description	Quantity	Unit
1-18	3231-2300E-024	Back base size 1, complete	1	Pc.
	3233-2300E-024	Back base size 2, complete	1	Pc.
1	3231-2310-024	Back base size 1	1	Pc.
	3233-2310-024	Back base size 2	1	Pc.
2	1042-0006	Hexagon nut self-locking zp DIN/ISO 985 M6	2	Pc.
3	3231-2324	Balance bushing	1	Pc.
4	3240-2441	Turning knob	1	Pc.
5	3231-2323	Guiding bushing	2	Pc.
6	3231-2322	Back guidance	2	Pc.
7	3231-2321	Locking bolt housing	2	Pc.
8	1052-0012	Spring washer B12 zp DIN/ISO 137 B12	2	Pc.
9	1040-0012	Hexagon nut zp DIN/ISO 439/B M12x1,25 (Feingewinde)	2	Pc.
10	1131-0036	Compression spring D-127d 0,8x8,3x29	2	Pc.
11	3201-7530	Lock pin	2	Pc.
12	1129-0012	Key ring 14x1,3	2	Pc.
13	1129-0011	Wire-rope	0,4	m
14	1089-0005	Cable clamp	2	Pc.
15	1024-0620	Hexagon socket countersunk head screw zp DIN/ISO 7991 M6x20	2	Pc.
16	3231-2131	Bushing	2	Pc.
17	1051-0006	Washer A6,4 zp DIN/ISO 125 A6,4	2	Pc.

Spare parts



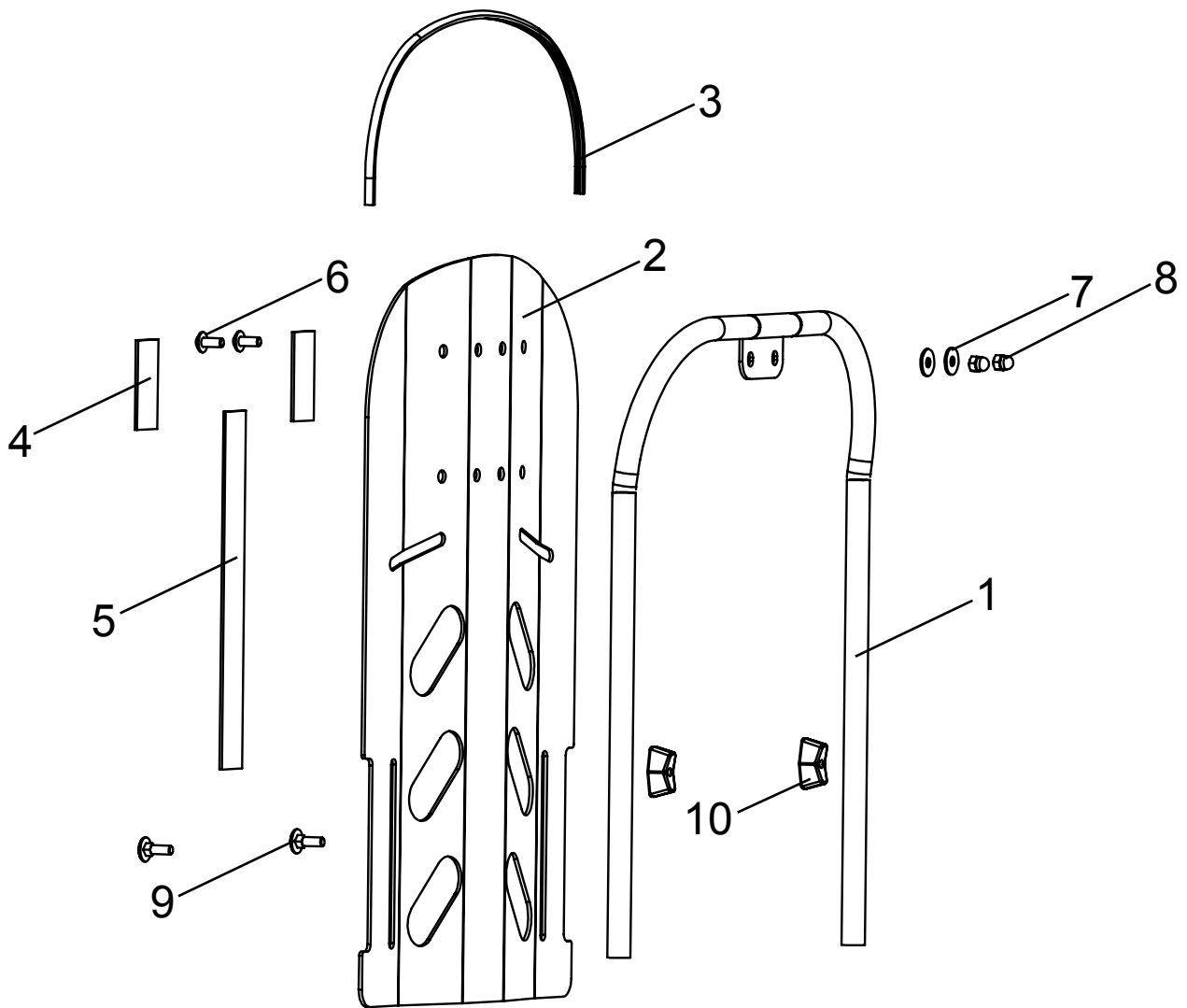
Pos	Article number	Article description	Quantity	Unit
18	1209-0017	Brake lever with splittet bracket, d 22 mm	1	Pc.
19	1209-0029	Bowden cable 1230x1360	1	Pc.
20	3243-1932	Nipple bearing	1	Pc.
21	3243-1931	Bowden bearing	1	Pc.
22	1131-0062-008	Compression spring D-180-13 1,1x9x50x12,5	1	Pc.
23	1209-0007	End cap aluminium U-BA-S for Bowden cable wire	1	Pc.
24	1099-0004	Screw nipple 1100, D5x8	1	Pc.
25	1042-0005	Hexagon nut self-locking zp DIN/ISO 985 M5	2	Pc.
26	1030-0512	Button head socket screw with flange zp M5x12	2	Pc.
27	1129-0011	Wire-rope	0,5	m

Spare parts



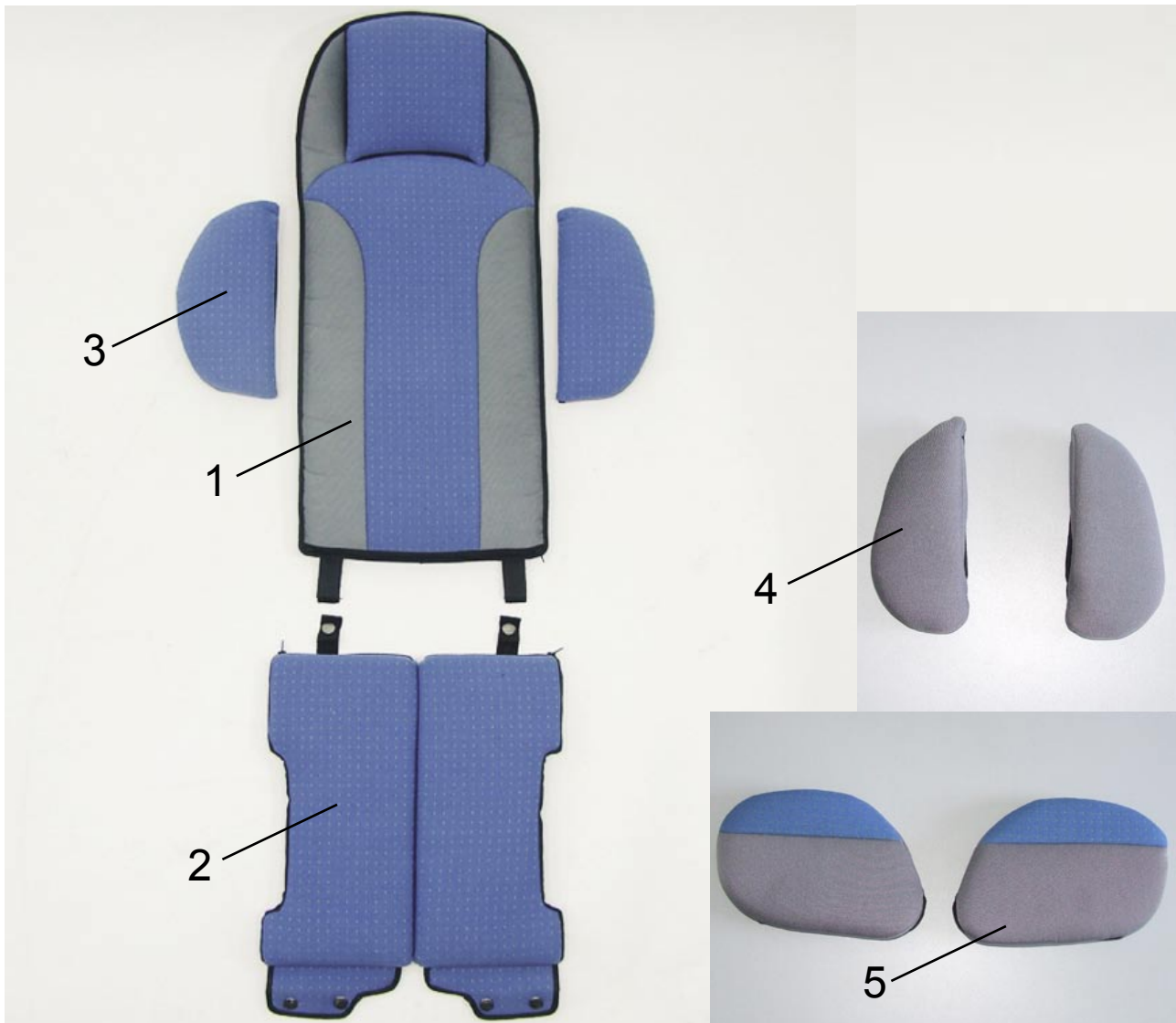
Pos	Article number	Article description	Quantity	Unit
1-4	3231-2710E	Lateral support left size 1, complete	1	Pc.
	3233-2710E	Lateral support left size 2, complete	1	Pc.
1	3201-2711	Formed part, left, size 1	1	Pc.
	3203-2711	Formed part, left, size 2	1	Pc.
2	3231-2712	Pad hinge	2	Pc.
3	1039-0003	Screw for plastic, cross rcessed pan head w. flange zp 4x12	2	Pc.
4	1501-0003	Velcro fastener	0,12	mtr
2-5	3231-2720E	Evo lateral support right size 1, complete	1	Pc.
	3233-2720E	Evo lateral support right size 2, complete	1	Pc.
5	3201-2721	Formed part size 2, right	1	Pc.
	3203-2721	Formed part size 2, right	1	Pc.

Spare parts



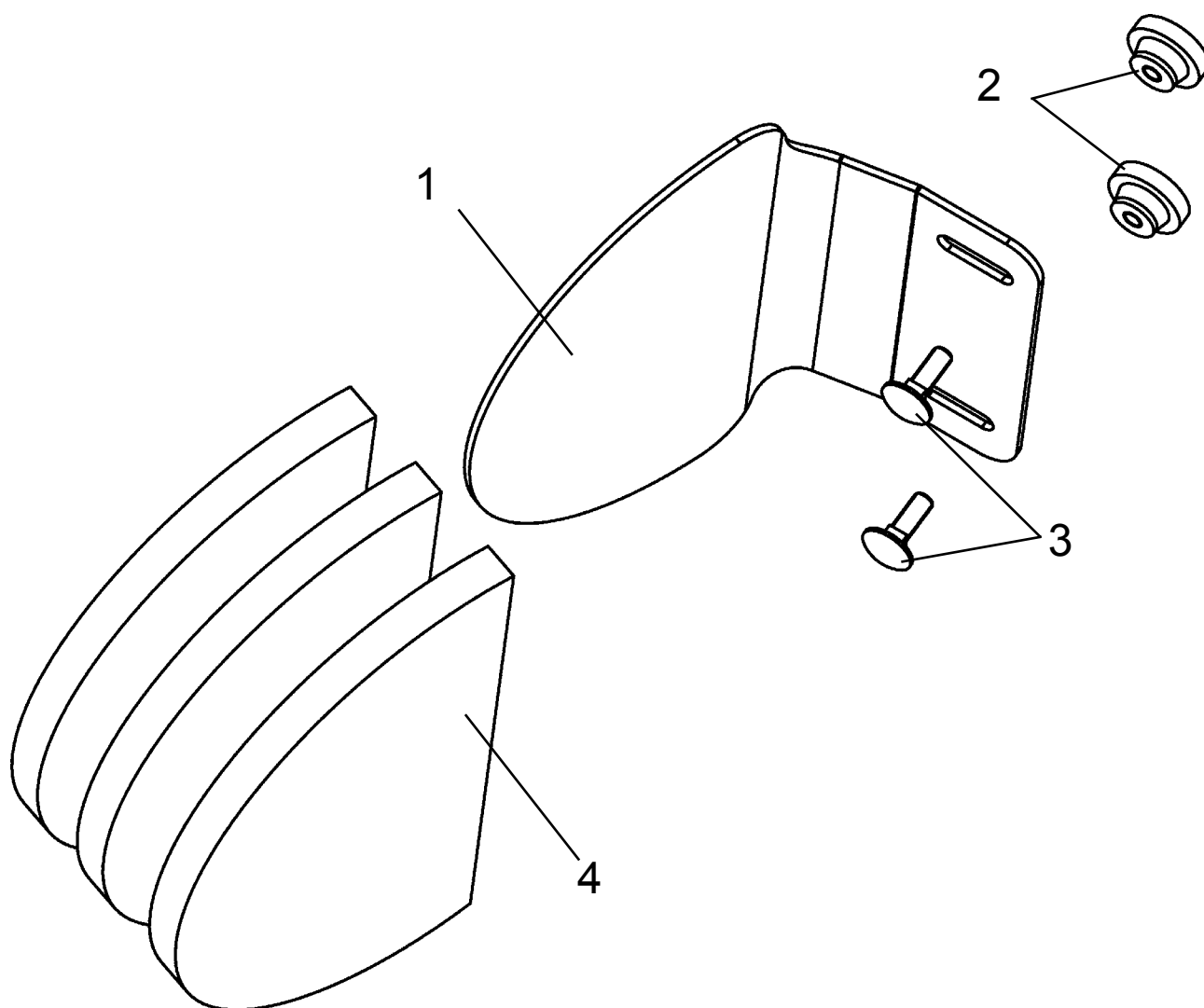
Pos	Article number	Article description	Quantity	Unit
1-9	3201-2800E-024	Back insert size 1, complete	1	Pc.
	3203-2800E-024	Back insert size 2, complete	1	Pc.
1	3201-2810-024	back frame size 1	1	Pc.
	3203-2810-024	back frame size 2	1	Pc.
2	3201-2822-024	back panel size 1	1	Pc.
	3203-2822-024	back panel size 2	1	Pc.
3	1144-0001	KS-profile (PVC)	0,5	mtr.
4	1030-0512	Button head socket screw with flange zp M5x12	2	Pc.
5	1055-0005	Washer A5,3 zp DIN/ISO 9021 A5,3	2	Pc.
6	1501-0003	Hook strap black 25mm self adhesive A glue	0,3	mtr.
7	1026-0516	Mushroom head square neck bolt zp DIN/ISO 603 M5x16	2	Pc.
8	1123-0500	Wing nut PA black M5 M5 BPF 20	2	Pc.
9	1044-0005	Hexagonal domed cap nut self-locking zp DIN/ISO 986 M5	2	Pc.
10	1123-0500	Flügelmutter PA schwarz M5	2	St.

Spare parts



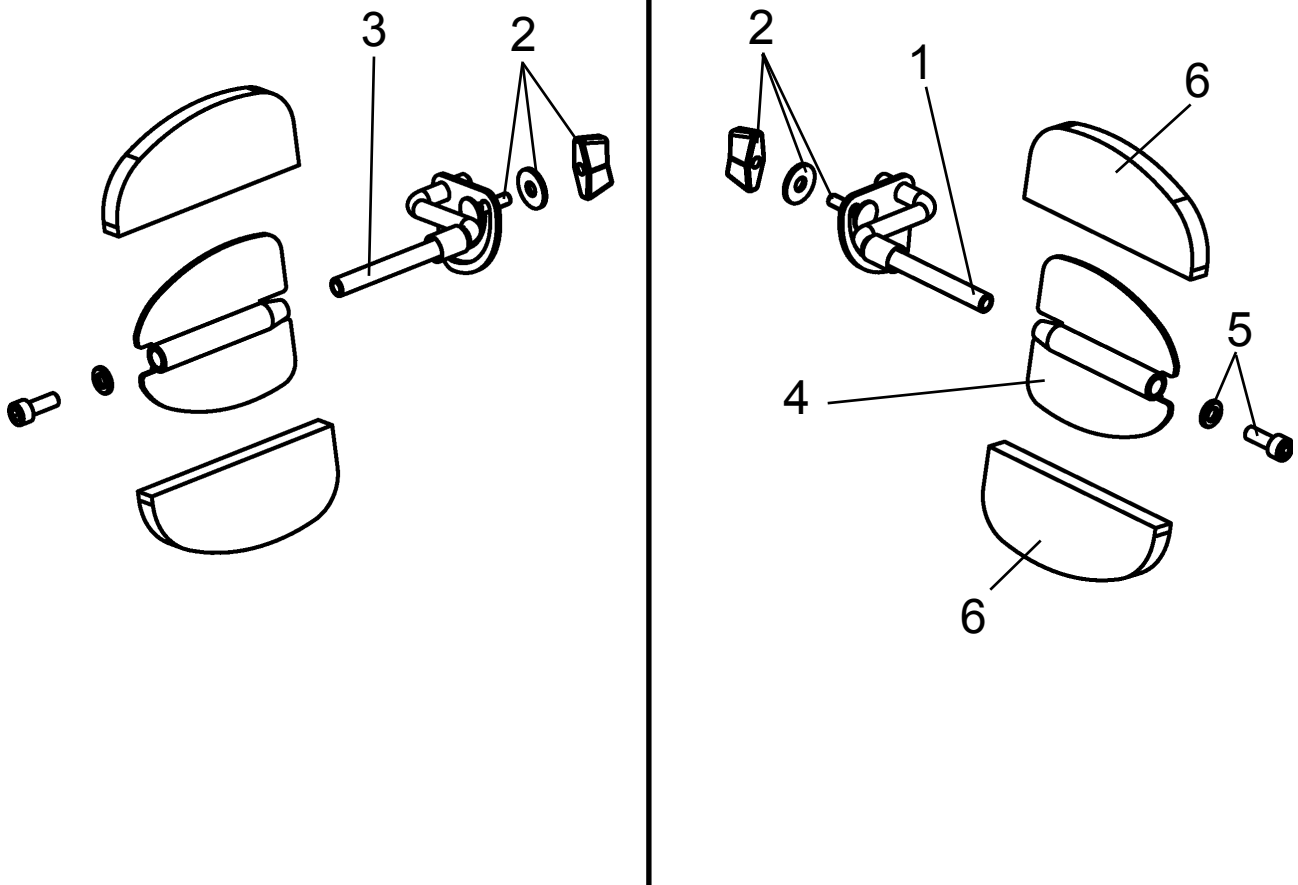
Pos	Article number	Article description	Quantity	Unit
1-3	3231-5100E-xxx	Bingo-Evolution upholstery size 1	1	Set.
	3233-5100E-xxx	Bingo-Evolution upholstery size 2	1	Set.
(not pictured)	3231-5101E-xxx	Bingo-Evolution upholstery with spacer fabric size 1	1	Set.
(not pictured)	3233-5101E-xxx	Bingo-Evolution upholstery with spacer fabric size 2	1	Set.
1	3231-5120-xxx	Back upholstery size 1	1	Pc.
	3233-5120-xxx	Back upholstery size 2	1	Pc.
(not pictured)	3231-5170-xxx	Back upholstery with spacer fabric size 1	1	Pc.
(not pictured)	3233-5170-xxx	Back upholstery with spacer fabric size 2	1	Pc.
2	3231-5140-xxx	Seat upholstery size 1	1	Pc.
	3233-5140-xxx	Seat upholstery size 2	1	Pc.
(not pictured)	3231-5180	Seat upholstery with spacer fabric size 1	1	Pc.
(not pictured)	3233-5180	Seat upholstery with spacer fabric size 2	1	Pc.
3	3201-5160E-xxx	Lateral upholstery size 1	1	Pair
	3203-5160E-xxx	Lateral upholstery size 2	1	Pair
4	3231-2920-304	Upholstery for Bingo-Evo thigh support size 1, grey	1	Pair
	3233-2920-304	Upholstery for Bingo-Evo thigh support size 2, grey	1	Pair
5	3201-5150E-xxx	Hip upholstery size 1	1	Pair
	3203-5150E-xxx	Hip upholstery size 2	1	Pair

Spare parts for accessories



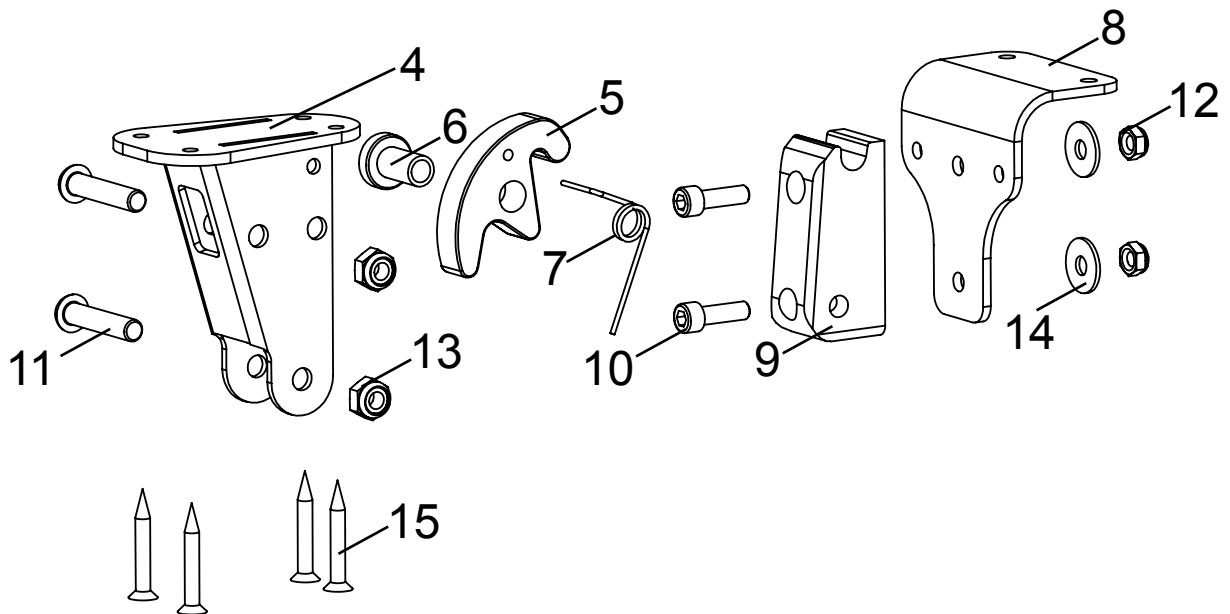
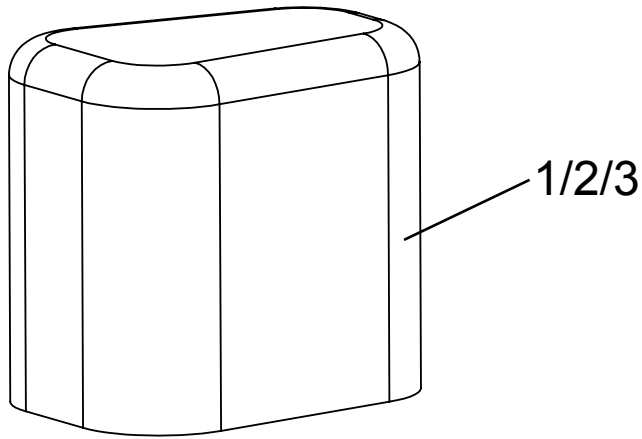
Pos	Article number	Article description	Quantity	Unit
1-5	3201-7600-304	Headrest pads size 1, complete (only one side pictured)	1	Set
	3203-7600-304	Headrest pads size 2, complete	1	Set
1-3	3201-7610E-002	Headrest pad size 1 with fasteners	2	Pc.
	3203-7610E-002	Headrest pad size 2 with fasteners	2	Pc.
2	1124-0500	Knurled nut PA black M5	4	Pc.
3	1026-0516	Mushroom head square neck bolt zp DIN/ISO 603 M5x16	4	Pc.
4	3201-7622	Self adhesive pad size 1	6	Pc.
	3203-7622	Self adhesive pad size 2	6	Pc.
5 not pictured	3201-7620-304	Cover head support size 1	2	Pc.
	3203-7620-304	Cover head support size 2	2	Pc.

Spare parts for accessories



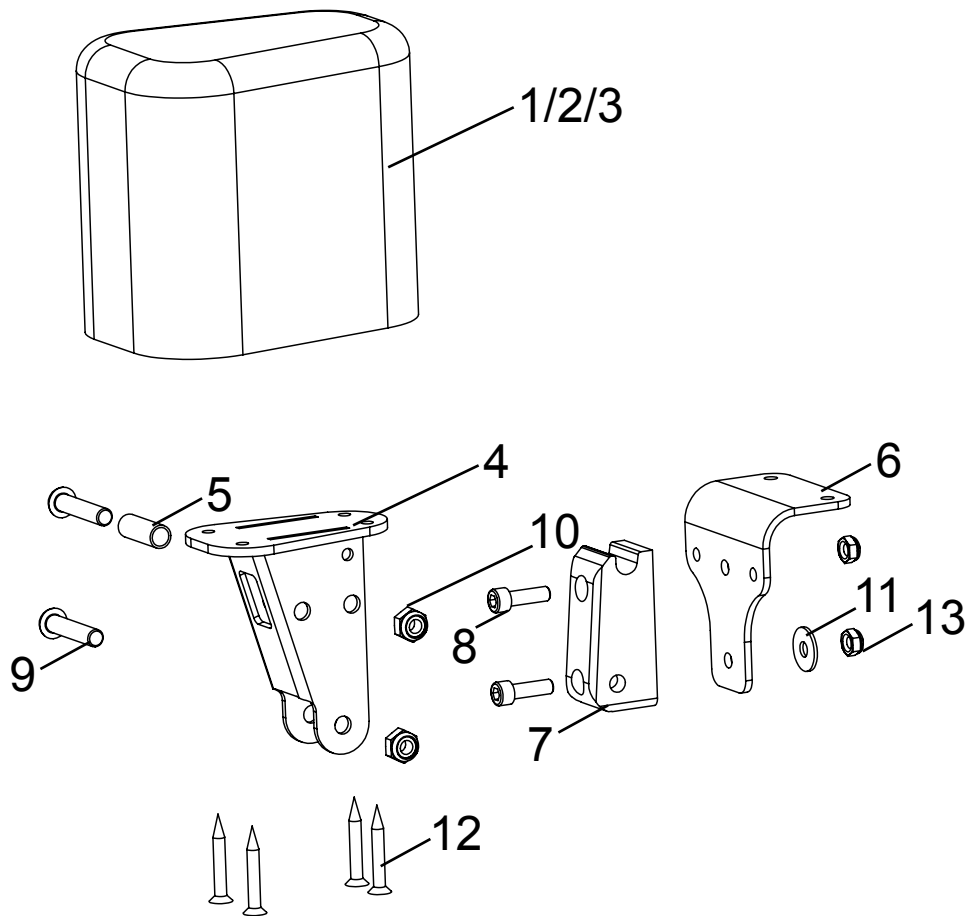
Pos	Article number	Article description	Quantity	Unit
1-7	3201-7700-304	Trunk supports size 1	1	Pair
	3203-7700-304	Trunk supports size 2	1	Pair
1-2	3201-7710E	Pad crank left size 1, with fasteners	1	Pc.
	3203-7710E	Pad crank left size 2, with fasteners	1	Pc.
2-3	3201-7720E	Pad crank right size 1, with fasteners	1	Pc.
	3203-7720E	Pad crank right size 2, with fasteners	1	Pc.
4-6	3201-7730E	Pad adapter size 1	2	Pc.
	3203-7730E	Pad adapter size 2	2	Pc.
6	3201-7750	Self adhesive pads, pair, size 1	2	Pair
	3203-7750	Self adhesive pads, pair, size 2	2	Pair
7 not pictured	3201-7760-304	Cover size 1	2	Pc.
	3203-7760-304	Cover size 2	2	Pc.

Spare parts for accessories



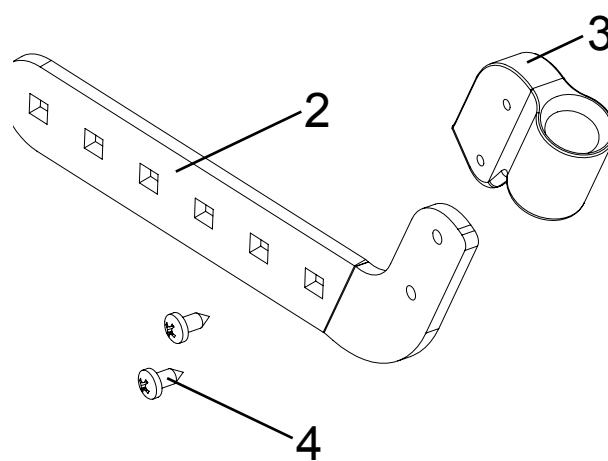
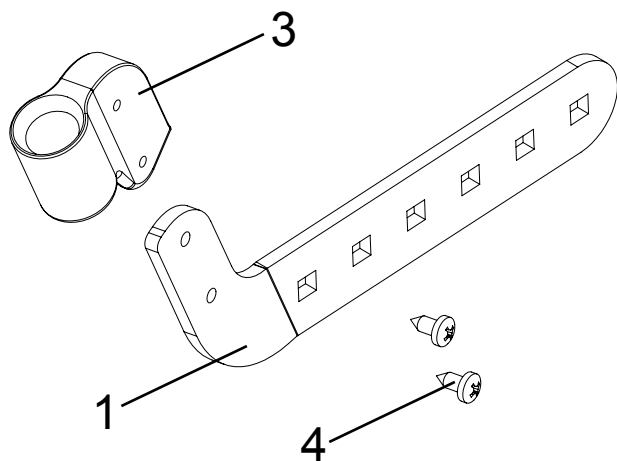
Pos	Article number	Article description	Quantity	Unit
1-15	3231-7800-304	Bingo-Evolution abduction block size 1, swing away	1	Pc.
	3231-7900-304	Bingo-Evolution abduction block size 2, swing away	1	Pc.
	3233-7800-304	Bingo-Evolution abduction block size 3, swing away	1	Pc.
1	3201-7810	A-wedge size 1	1	Pc.
	3201-7910	A-wedge size 2	1	Pc.
	3203-7810	A-wedge size 3	1	Pc.
4	3231-7820	A-wedge support	1	Pc.
5	3231-7841	Arresting clamp	1	Pc.
6	3231-7842	Bearing	1	Pc.
7	1133-0020	Leg spring 1,25 x 9,25 x 2,25	1	Pc.
8	3231-7831	Base plate for abduction block receiver	1	Pc.
9	3231-7832	Arresting part for A-wedge	1	Pc.
10	1021-0516	Hexagon socket head cap screw zp, M5x16	2	Pc.
11	1029-0630	Button head socket screw zp DIN/ISO 7380 M6x30	2	Pc.
12	1042-0005	Hexagon nut self-locking zp DIN/ISO 985 M5	2	Pc.
13	1042-0006	Hexagon nut self-locking zp DIN/ISO 985 M6	2	Pc.
14	1055-0005	Washer A5,3 zp DIN/ISO 9021 A5,3	2	Pc.
15	1028-0430	Pressboard screw countersunk head zp 4x30	4	Pc.
16 not pictured	3201-7840-304	cover for abduction block size 1 grey	1	Pc.
not pictured	3201-7940-304	cover for abduction block size 1 grey	1	Pc.
not pictured	3203-7840-304	cover for abduction block size 1 grey	1	Pc.

Spare parts for accessories



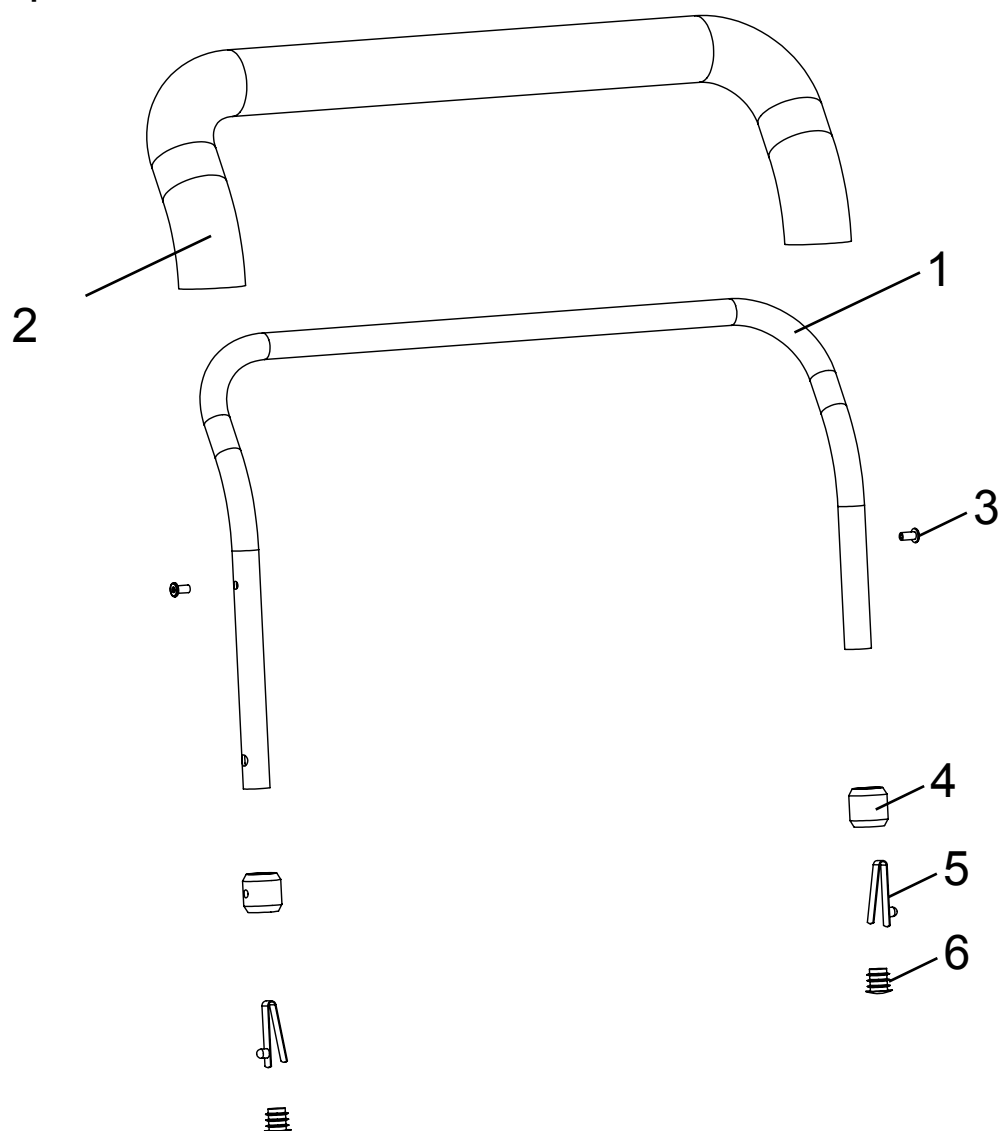
Pos	Article number	Article description	Quantity	Unit
1-13	3231-7801-304	Bingo-Evolution abduction block size 1, fixed	1	Pc.
	3231-7901-304	Bingo-Evolution abduction block size 2, fixed	1	Pc.
	3233-7801-304	Bingo-Evolution abduction block size 3, fixed	1	Pc.
1	3201-7810E	A-wedge size 1	1	Pc.
	3201-7910E	A-wedge size 2	1	Pc.
	3203-7810E	A-wedge size 3	1	Pc.
4	3203-7810	A-wedge support	1	Pc.
5	1114-0012	Bushing zp 8x0,8x22,5	1	Pc.
6	3231-7831	Base plate for abduction block receiver	1	Pc.
7	3231-7832	Arresting part for A-wedge	1	Pc.
8	1021-0516	Hexagon socket head cap screw zp, M5x16	2	Pc.
9	1029-0630	Button head socket screw zp DIN/ISO 7380 M6x30	2	Pc.
10	1042-0006	Hexagon nut self-locking zp DIN/ISO 985 M6	2	Pc.
11	1055-0005	Washer A5,3 zp DIN/ISO 9021 A5,3	2	Pc.
12	1028-0430	Pressboard screw countersunk head zp 4x30	4	Pc.
13	1042-0005	Hexagon nut self-locking zp DIN/ISO 985 M5	2	Pc.
14 not pictured	3201-7840-304	cover for abduction block size 1 grey	1	Pc.
not pictured	3201-7940-304	cover for abduction block size 1 grey	1	Pc.
not pictured	3203-7840-304	cover for abduction block size 1 grey	1	Pc.

Spare parts for accessories



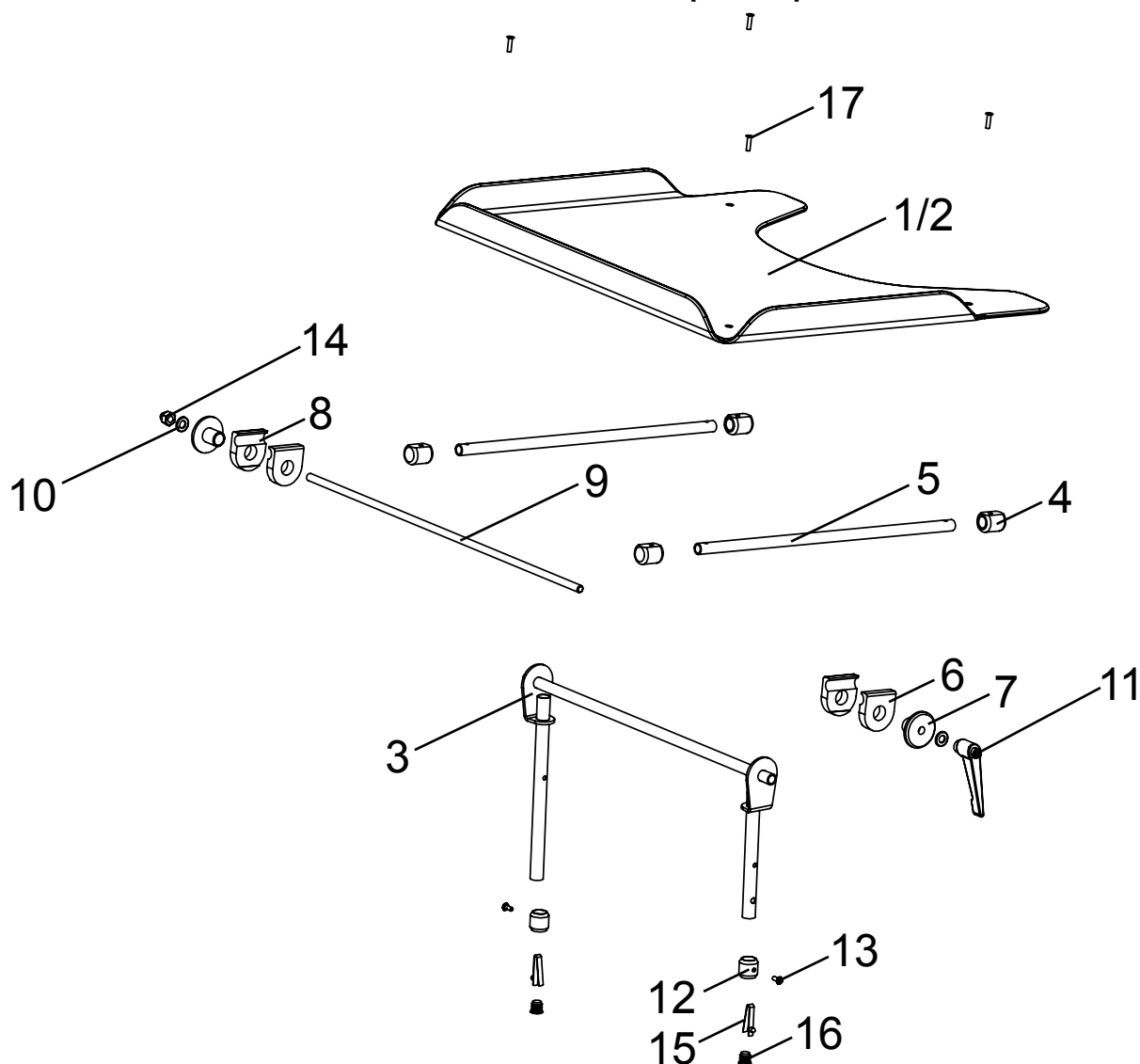
Pos	Article number	Article description	Quantity	Unit
1-4	3231-2201-024	Retainer for accessories, grab rail or therapy tray	1	Pc.
1	3231-2231-024	holder for accessories retainer left side	1	Pc.
2	3231-2241-024	holder for accessories retainer right side	1	Pc.
3	3231-2232	retainer for accessories mould part	2	Pc.
4	1039-0001	Screw for plastic, cross rcessed pan head w. flange zp 4x10	4	Pc.

Spare parts for accessories



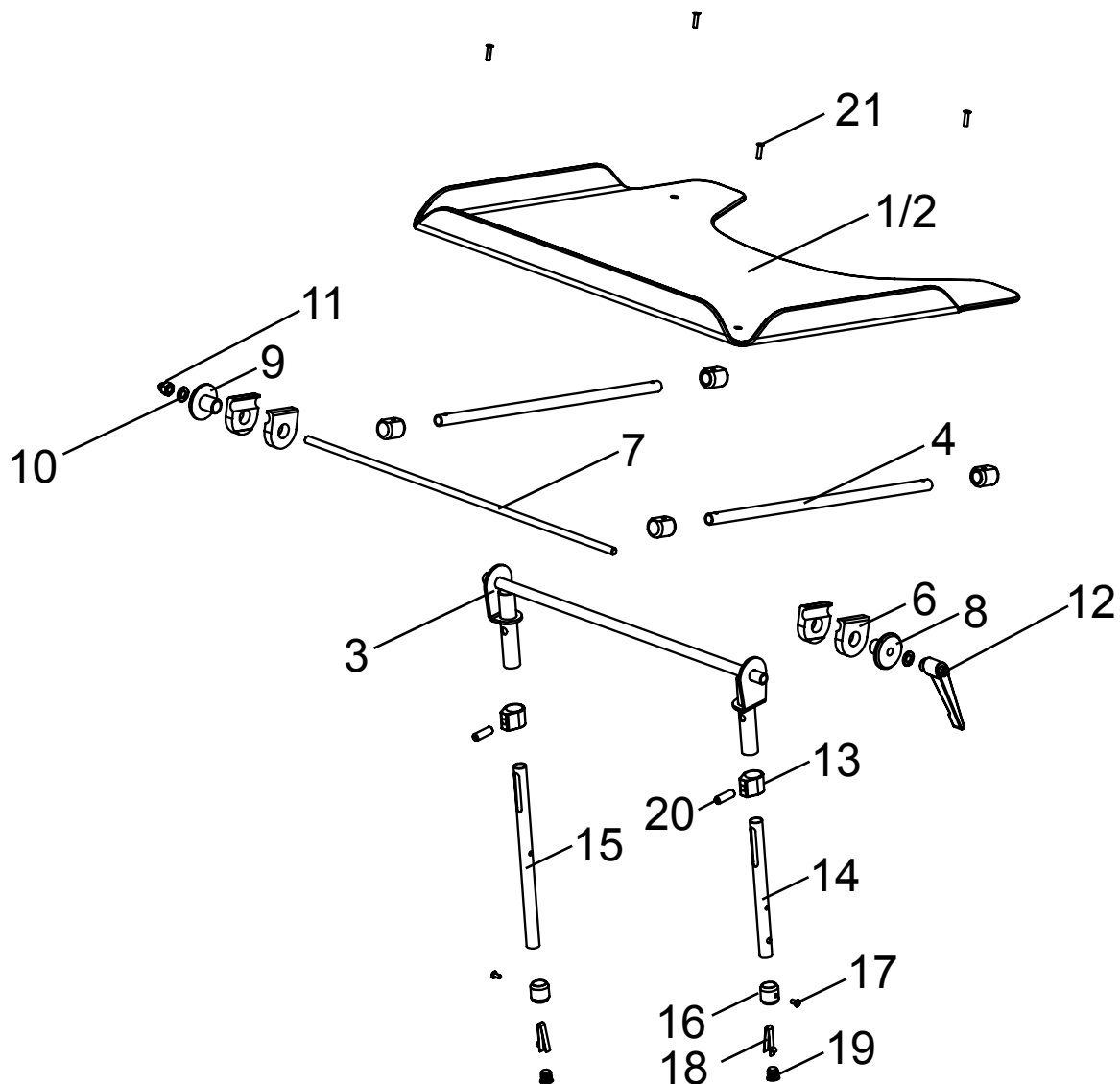
Pos	Article number	Article description	Quantity	Unit
1-7	3231-8100-304	Grab rail with upholstery size 1	1	Pc.
	3231-8100-304	Grab rail with upholstery size 2	1	Pc.
1	3231-8110E	Tube bend (for grab rail) size 1	1	Pc.
	3233-8110E	Tube bend (for grab rail) size 2	1	Pc.
2	3201-8130-304	Upholstery (foam material) size 1 (60 cm)	1	Pc.
	3203-8130-304	Upholstery (foam material) size 2 (70 cm)	1	Pc.
3	1062-0408	Blind rivet St/St DIN/ISO 7337 F4x8	2	Pc.
4	3201-8120	Bushing	2	Pc.
5	1134-0005	Snap button A 102	2	Pc.
6	1141-0001	Ribbed insert SFL 14x0,8-2	2	Pc.
7 not pictured	3201-8140-304	cover of grab rail size 1, grey	1	Pc.
not pictured	3203-8140-304	cover of grab rail size 2, grey	1	Pc.

Spare parts for accessories



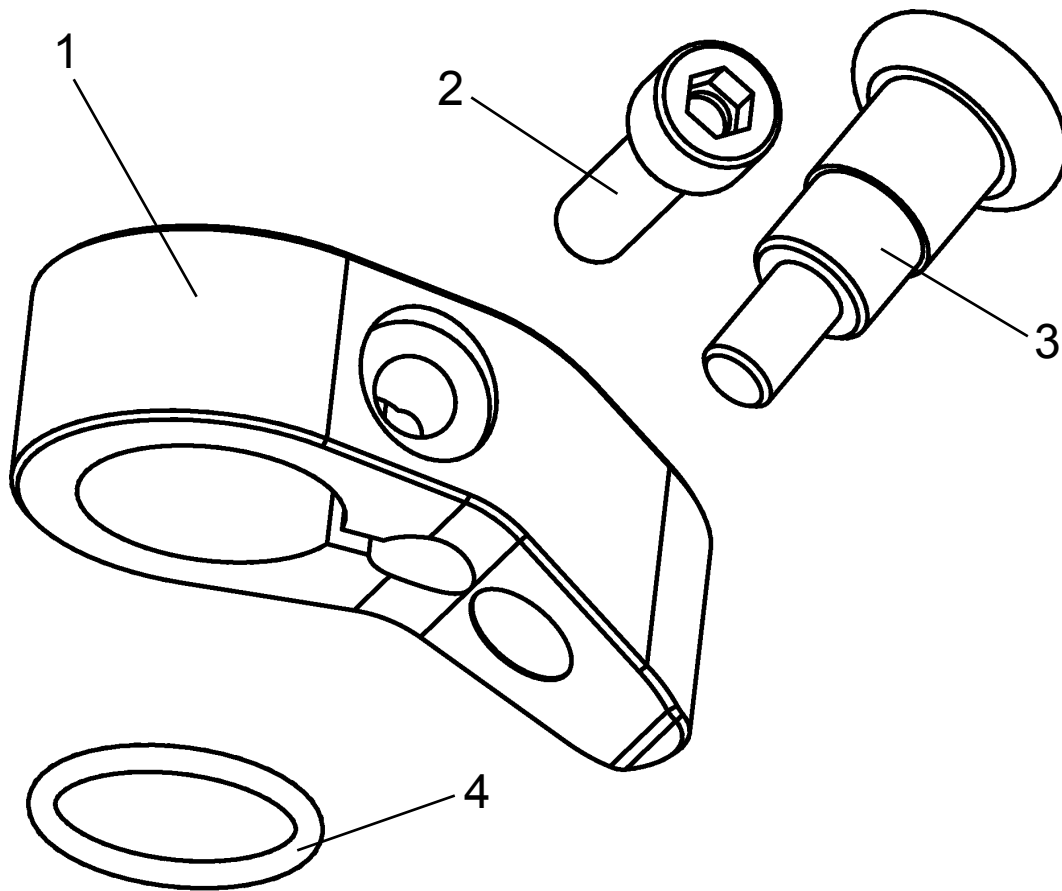
Pos	Article number	Article description	Quantity	Unit
1-17	3231-8202	Therapy tray size 1, transparent	1	Pc.
	3233-8200	Therapy tray size 2, transparent	1	Pc.
1	3231-8290	Tray plate, clear	1	Pc.
2-17	3231-8203	Therapy tray size 1, grey	1	Pc.
	3233-8201	Therapy tray size 2, grey	1	Pc.
2	3231-8291	Tray plate, grey	1	Pc.
3	3231-8220E	Main support size 1	1	Pc.
		Main support size 2	1	Pc.
4	3201-8280	Bearing block	4	Pc.
5	3201-8270E	Bar	2	Pc.
6	3201-8230	Clamp half	4	Pc.
7	3201-8240	Clamp disk D 8,5	1	Pc.
8	3201-8250	Clamp disk M8	1	Pc.
9	3231-8260E	Thread bar	1	Pc.
10	1051-0008	Washer A8,4 zp DIN/ISO 125 A8,4	2	Pc.
11	1121-0800	Locking lever PA black M8 DIN/ISO 603 M8	1	Pc.
12	3201-8120	Bushing	2	Pc.
13	1062-0410	Blind rivet St/St DIN/ISO 7337 F4x10	2	Pc.
14	1044-0008	Hexagonal domed cap nut self-locking zp DIN/ISO 986 M8	1	Pc.
15	1134-0005	Snap button A 102	2	Pc.
16	1141-0001	Ribbed insert SFL 14x0,8-2	2	Pc.
17	1063-0416	Blind rivet St/St DIN/ISO 7337 S4x16	4	Pc.

Spare parts for accessories



Pos	Article number	Article description	Quantity	Unit
1-21	3231-8202	Therapy tray size 1, transparent, height adjustable	1	Pc.
	3233-8202	Therapy tray size 2, transparent, height adjustable	1	Pc.
1	3231-8290	Tray plate, clear	1	Pc.
2-21	3231-8203	Therapietisch Gr. 1, grau, höhenverstellbar	1	Pc.
	3233-8203	Therapietisch Gr. 2, grau, höhenverstellbar	1	Pc.
2	3231-8291	Tray plate, grey	1	Pc.
3	3231-8220E	Main support size 1 Main support size 2	1 1	Pc. Pc.
4	3201-8270E	Bar	2	Pc.
5	3201-8280	Bearing block	4	Pc.
6	3201-8230	Clamp half	4	Pc.
7	3231-8260E	Thread bar	1	Pc.
8	3201-8240	Clamp disk D 8,5	1	Pc.
9	3201-8250	Clamp disk M8	1	Pc.
10	1051-0008	Washer A8,4 zp DIN/ISO 125 A8,4	2	Pc.
11	1044-0008	Hexagonal domed cap nut self-locking zp DIN/ISO 986 M8	1	Pc.
12	1121-0800	Locking lever PA black M8 DIN/ISO 603 M8	1	Pc.
13	3201-8221	Clamp ring for height adjustable tray	2	Pc.
14	3231-8215E	Support, left	1	Pc.
15	3231-8216E	Support, right	1	Pc.
16	3201-8120	Bushing	2	Pc.
17	1062-0408	Blind rivet St/St DIN/ISO 7337 F4x8	2	Pc.
18	1134-0005	Snap button A 102	2	Pc.
19	1141-0001	Ribbed insert SFL 14x0,8-2	2	Pc.
20	1031-0825	Hexagon socket set screw zp DIN/ISO 913 M8x25	2	Pc.
21	1063-0416	Blind rivet St/St DIN/ISO 7337 S4x16	4	Pc.

Spare parts for accessories



Pos	Article number	Article description	Quantity	Unit
1-4	3202-7100	Swivel lock, complete	1	Set
1	3202-7110E	Swivel lock housing with set screw	2	Pc.
2	1022-0620	Hexagon socket head cap screw zp DIN/ISO 7984 M6x20	2	Pc.
3	1127-0009	Lock pin d6xM10xS10x33,5	2	Pc.
4	1150-0001	O-ring NBR 70 DIN/ISO 3771 18x2	2	Pc.

Manufacturer:

HOGGI GmbH
Eulerstrasse 27

D - 56235 Ransbach-Baumbach

Fon: (+49) 26 23 / 92 499-0 · Fax: (+49) 26 23 / 92 499-99

e-mail: info@hoggi.de · Internet: <http://www.hoggi.de>