



## KÜSCHALL R33

en	<b>Active wheelchair</b>	
	User Manual .....	4
es	<b>Silla de ruedas activa</b>	
	Manual del usuario .....	38
pt	<b>Cadeira de rodas activa</b>	
	Manual de utilização .....	78



This manual **MUST** be given to the user of the product.  
BEFORE using this product, read this manual and save for future reference.

©2015 Kuschall AG

All rights reserved. Republication, duplication or modification in whole or in part is prohibited without prior written permission from Kuschall AG. Trademarks are identified by ™ and ®. All trademarks are owned by or licensed to Kuschall AG or its subsidiaries unless otherwise noted.

—

Todos los derechos reservados. Prohibida la reedición, copia o modificación total o parcial sin previa autorización por escrito de Kuschall AG. Las marcas comerciales se identifican con ™ y ®. Todas las marcas comerciales son propiedad de Kuschall AG o de sus filiales, o bien Kuschall AG o sus filiales cuentan con las correspondientes licencias, a menos que se estipule lo contrario.

—

Todos os direitos reservados. A republicação, duplicação ou modificação total ou parcial estão interditas sem a autorização prévia por escrito da Kuschall AG. As marcas comerciais são identificadas pelos símbolos ™ e ®. Todas as marcas comerciais são propriedade da ou estão licenciadas à Kuschall AG ou às suas subsidiárias, excepto quando apresentada informação em contrário.

---

# CONTENTS

---

This manual MUST be given to the user of the product.  
BEFORE using this product, read this manual and save for  
future reference.

<b>1</b>	<b>General</b> .....	<b>5</b>
1.1	Information about the User Manual .....	5
1.2	Symbols in this manual .....	5
1.3	Warranty .....	5
1.4	Standards and Regulations .....	6
1.5	Intended use .....	6
1.6	Service life .....	6
1.7	Copyright protection .....	6
<b>2</b>	<b>Safety</b> .....	<b>7</b>
2.1	Safety information .....	7
2.2	Safety devices .....	8
2.3	Labels and symbols on the product .....	8
<b>3</b>	<b>Components and their functions</b> .....	<b>9</b>
3.1	Overview .....	9
3.2	Parking brakes .....	10
3.3	Backrest .....	12
3.4	Push handles .....	12
3.5	Side rest, stepless height adjustable, non-locking .....	13
3.6	Mudguard .....	13
3.7	Clothes-guard .....	14
3.8	Antitipper .....	14
3.9	Tires .....	14
3.10	Seat cushion .....	15
<b>4</b>	<b>Accessories</b> .....	<b>16</b>
4.1	Pelvic belt .....	16
4.2	Air pump .....	16
4.3	Passive illumination .....	17
4.4	Luggage carrier .....	17
<b>5</b>	<b>Setup</b> .....	<b>18</b>
5.1	Safety information .....	18
<b>6</b>	<b>Using the wheelchair</b> .....	<b>19</b>
6.1	Safety information .....	19
6.2	Braking during use .....	20
6.3	Getting in and out of the wheelchair .....	20
6.4	Driving and steering the wheelchair .....	21
6.5	Negotiating steps and kerbs .....	22
6.6	Going up and down stairs .....	24
6.7	Negotiating ramps and slopes .....	24
6.8	Stability and balance when seated .....	26
<b>7</b>	<b>Transport</b> .....	<b>27</b>
7.1	Safety information .....	27
7.2	Folding and unfolding the wheelchair .....	27
7.3	Removing and fitting the rear wheels .....	28
<b>8</b>	<b>Maintenance</b> .....	<b>29</b>
8.1	Safety information .....	29
8.2	Maintenance Schedule .....	29
8.3	Cleaning .....	31
8.4	Disinfection .....	31
<b>9</b>	<b>Troubleshooting</b> .....	<b>32</b>
9.1	Safety information .....	32
9.2	Identifying and repairing faults .....	33
<b>10</b>	<b>After Use</b> .....	<b>34</b>
10.1	Storage .....	34
10.2	Re-use .....	34
10.3	Disposal .....	34
<b>11</b>	<b>Technical data</b> .....	<b>35</b>
11.1	Dimensions and weight .....	35

11.2	Environmental conditions . . . . .	36
11.3	Materials . . . . .	36

# 1 GENERAL

## 1.1 Information about the User Manual

Thank you for choosing a küschall® wheelchair.

This User Manual contains important information about using the wheelchair. In order to ensure safety when using your wheelchair, read the User Manual carefully and follow the safety information.

If your vision is impaired, you can view the user manual as a PDF file on the Internet at [www.kuschall.com](http://www.kuschall.com) and enlarge it on-screen as required. If you cannot enlarge the texts and graphics sufficiently, please contact the küschall® distributor for your country;

® addresses on the reverse of this document. If necessary, we will provide you with a high resolution PDF file of the user manual. Moreover, you can have the PDF file read out to you with the aid of suitable programs using special language functions on your computer (e.g. in Adobe®Reader®X: Shift+Ctrl+Y).



The equipment of your wheelchair may differ from the descriptions and diagrams given here due to the wide range of models available.

For latest important product information please refer to our website at [www.kuschall.com](http://www.kuschall.com), your local specialized dealer or contact Invacare® in your country (for addresses, see back page of this manual).

## 1.2 Symbols in this manual

In this User Manual warnings are indicated by symbols. The warning symbols are accompanied by a heading that indicates the severity of the danger.



### WARNING!

Indicates a hazardous situation that could result in serious injury or death if it is not avoided.



### CAUTION!

Indicates a hazardous situation that could result in minor or slight injury if it is not avoided.



### IMPORTANT!

Indicates a hazardous situation that could result in damage to property if it is not avoided.



Gives useful tips, recommendations and information for efficient, trouble-free use.



This product complies with Directive 93/42/EEC concerning medical devices. The launch date of this product is stated in the CE declaration of conformity.



Manufacturer

## 1.3 Warranty

Küschall AG guarantees that their wheelchairs are free from defects and are fully functional. The warranty covers all faults and defects which are verifiably attributable to faulty construction, substandard materials or poor workmanship. Warranty claims against the manufacturer may only be made by the distributor and not by the user of the product.

The warranty does not cover normal wear and tear, the consequences of improper handling or damage, poor maintenance and incorrect assembly or commissioning by the purchaser or a third person or faults which are attributable

to circumstances beyond our control. Wearing parts are not covered by the guarantee. The warranty is voided if modifications are made to the product which were not authorised and not performed by the specialist dealer or if inappropriate accessories or spare parts are used. The warranty does not cover consequential costs arising from the rectification of defects such as freight and travel expenses, labour costs, fees etc.

The term of the warranty is 24 months. The frame is guaranteed for 5 years.

Furthermore, the terms and conditions are part of the general terms and conditions particular to the individual countries in which the product is sold.

## 1.4 Standards and Regulations

Quality is fundamental to the company's operation, working within the disciplines of ISO 9001 and ISO 13485.

The wheelchair has been tested in accordance with EN 12183. It includes a test for flammability.

Küschall AG is continuously working towards ensuring that the company's impact on the environment, locally and globally, is reduced to a minimum. We use only REACH and RoHS compliant materials and components.

## 1.5 Intended use

The active wheelchair is propelled manually and should only be used for independent or assisted transport of a disabled person with mobility difficulties. When used without an assistant, it should only be used by persons who are physically and mentally able to use the wheelchair safely (e.g. to propel themselves, steer, brake). The wheelchair should only be used on level ground and accessible terrain, as well as indoors. This active wheelchair needs to be subscribed and fit to your specific health condition.



### **WARNING!**

Any other or incorrect use could lead to hazardous situations.

## 1.6 Service life

The expected service life is five years, presuming that the product is used daily and in accordance with safety instructions, maintenance instructions and intended use, stated in this manual.

## 1.7 Copyright protection

This User Manual is protected by copyright. It may not be reprinted or copied or transferred to third parties in part or in full without the prior written consent of the manufacturer.

## 2 SAFETY

### 2.1 Safety information

This section contains important safety information for the protection of the wheelchair user and assistant and for safe, trouble-free use of the wheelchair.



#### **WARNING!**

##### **Risk of accidents and serious injury**

Accidents with resulting serious injury can occur if the wheelchair is wrongly adjusted.

- Adjustments at the wheelchair always must be carried out by a specialist dealer.



#### **WARNING!**

##### **Risk due to driving style being unsuitable for the conditions**

There is a risk of skidding on wet ground, gravel or uneven terrain.

- Always adjust your speed and driving style to the conditions (weather, surface, individual ability, etc.).



#### **WARNING!**

##### **Risk of injury**

In a collision you could sustain injury to parts of your body that extend beyond the wheelchair (e.g. feet or hands).

- Avoid an unbraked collision.
- Never drive into an object head-on.
- Drive carefully through narrow passages.



#### **WARNING!**

##### **Risk due to wheelchair being out of control**

At high speed you could lose control of your wheelchair and overturn.

- Never exceed a speed of 7 km/h.
- Avoid collisions in general.



#### **CAUTION!**

##### **Risk of burning**

The wheelchair components can heat up when exposed to external sources of heat.

- Do not expose the wheelchair to strong sunlight before use.
- Before usage, check all components that come into contact with your skin for their temperature.



#### **CAUTION!**

##### **Risk of getting fingers caught**

There is always a risk of getting, e.g. fingers or arms, caught in the moving parts of the wheelchair.

- Make sure when activating the folding or insertion mechanisms of moving parts, such as the removable axle of the rear wheel, folding backrest or antitipper, that nothing becomes caught.

## 2.2 Safety devices



### WARNING! Risk of accidents

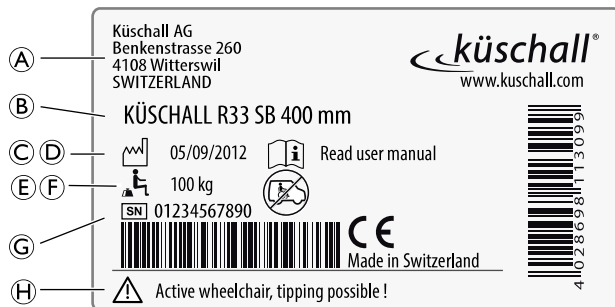
Safety devices that are incorrectly set or no longer working (brakes, antitipper) can cause accidents.  
– Always check that the safety devices are working before you use the wheelchair and have them checked regularly by the specialist dealer.

The functions of the safety devices are described in chapter 3 Components and their functions, page 9 .

## 2.3 Labels and symbols on the product

### Identification label

The identification label is attached to the frame of your wheelchair and gives the following information:



©	Date of manufacture
Ⓓ	Instruction to read the User Manual
Ⓔ	Maximum user weight
Ⓕ	Instruction that this wheelchair is not designed for passenger transport in vehicles
Ⓖ	Serial number
Ⓗ	Warning that this is an active wheelchair and tipping is possible



### WARNING Symbol

This wheelchair is not intended to be used as a seat in a motor vehicle!

### Antitipper warning label



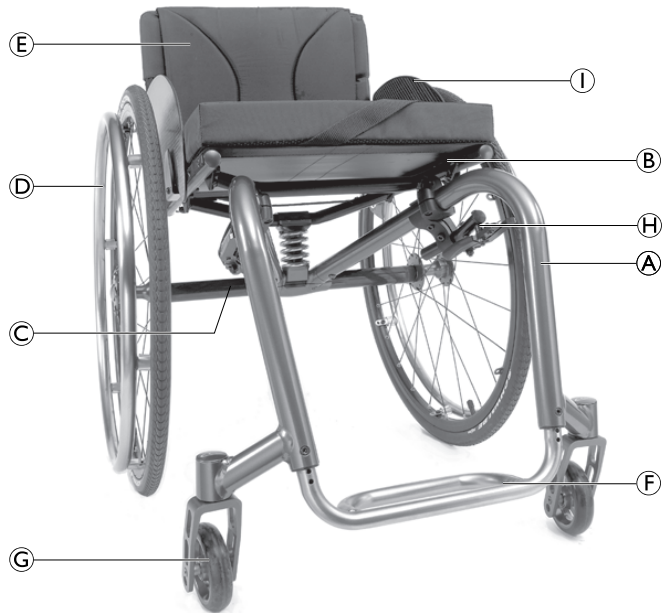
Follow user manual instructions prior to the usage of an antitipper device.

Ⓐ	Manufacturer's address
Ⓑ	Product description



## 3 COMPONENTS AND THEIR FUNCTIONS

### 3.1 Overview



Ⓐ	Frame
Ⓑ	Seat
Ⓒ	Axle tube
Ⓓ	Rear wheel with handrim
Ⓔ	Backrest
Ⓕ	Footrest
Ⓖ	Castor fork with castor
Ⓗ	Parking brake
Ⓘ	Clothes-guard

#### Short description

The küschall R33 is a rigid frame wheelchair with folding backrest.



The equipment of your wheelchair may differ from the diagram as each wheelchair is manufactured individually to the specifications in the order.

## 3.2 Parking brakes

The parking brakes are used to immobilise the wheelchair when it is stationary to prevent it from rolling away.



### WARNING!

#### Risk of overturning if you brake sharply

If you apply the parking brakes while you are moving, the direction of movement can become uncontrollable and the wheelchair may stop suddenly, which can lead to a collision or to you falling out.

- Never apply the parking brakes while you are moving.



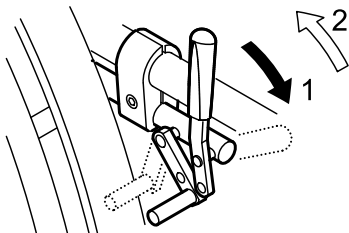
### WARNING!

#### Risk of overturning

The parking brakes will not operate correctly unless there is sufficient air in the tyres.

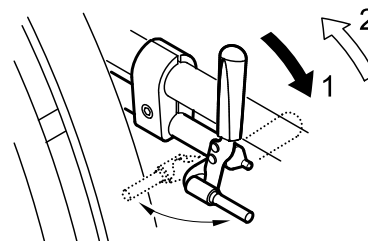
- Ensure the correct tyre pressure, 3.9 Tyres, page 14.

### Standard brake



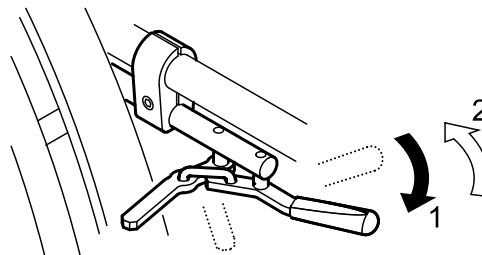
1. To apply the brake, push the brake lever forwards as far as possible.
2. To release the brake, pull the brake lever backwards.

### Performance brake



1. To apply the brake, push the brake lever forwards as far as possible.
2. To release the brake, pull the brake lever backwards.

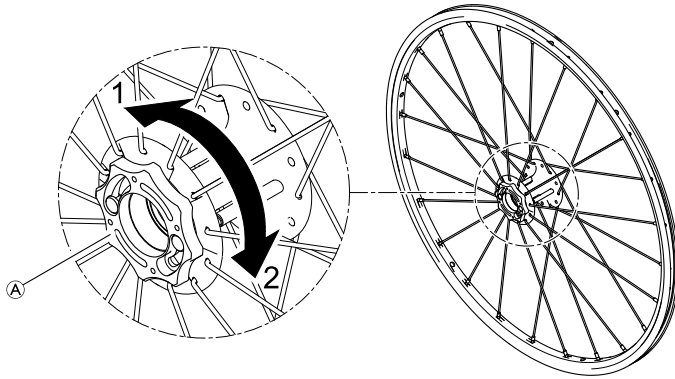
### Active brake



1. To apply the brake, pull the brake lever forwards beside or between your knees as far as possible.
2. To release the brake, push the brake lever backwards beside or between your knees.

## Hub brake (optional)

The hub brake is operated via the brake ring located on the outside of each wheel's hub.



1. To activate the hub brake, turn the brake ring **A** in direction 1 until it stops.
2. To release the hub brake, turn the brake ring in direction 2 until it stops.



### **WARNING!**

#### **Risk of overturning if you brake sharply**

If you apply the hub brakes while you are moving, the direction of movement can become uncontrollable and the wheelchair may stop suddenly, which can lead to a collision or to you falling out.

- Never apply the hub brake while you are moving.



### **WARNING!**

#### **Risk of injury due to overturning wheelchair**

When driving backwards, the wheelchair could overturn due to a snapping in hub brake pin that locks the wheel.

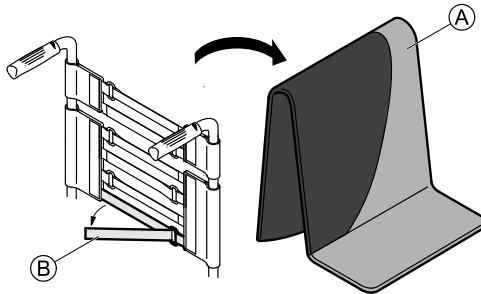
- Contact your specialized dealer immediately, as soon as you hear a rattling noise caused by the hub brake when driving in your wheelchair.
- Avoid driving backwards when you hear such noise until the hub brake is repaired or replaced.

### 3.3 Backrest

#### Backrest cover

You can adjust the tension of the backrest cover as required.

#### Adjusting the backrest cover



1. Remove the backrest cushion (A).
2. Loosen the Velcro® tapes (B) on the rear of the backrest cover by simply pulling on them.
3. Tighten or loosen the tapes as required then reattach them.



#### **WARNING!** Risk of tipping

If the bands are set very loose, the tipping point of your wheelchair is changed for the worse.  
– Ensure that the bands are set correctly.

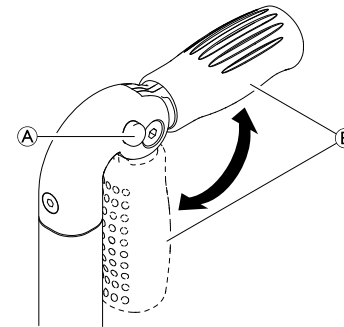
### 3.4 Push handles



#### **IMPORTANT!**

– Always check the push handles before using the wheelchair, as to whether the hand grips are secure, cannot be turned and cannot be pulled off.

#### Foldable push handles (optional)



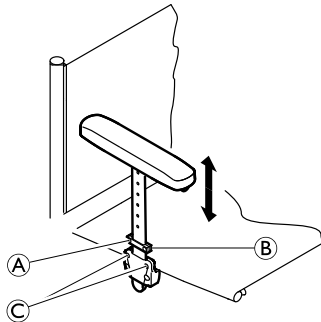
1. Fully depress button (A) and fold up respectively fold down the push handle (B) until it audibly engages.



#### **CAUTION!**

If not correctly engaged, the push handle could accidentally fold down while pushing the wheelchair.  
– Make sure that the push handle is correctly engaged.

### 3.5 Side rest, stepless height adjustable, non-locking



#### **WARNING!** **Risk of injury**

The side rests are not locked and can be easily pulled out upwards.

- Do not lift or transfer the wheelchair using the side rests.
- Do not use the side rests for transportation when carrying the wheelchair up- or downstairs.

#### **Removing**

1. Pull the side rest by the arm cushion out of the holder.
2. To adjust how easy or difficult it is to pull the side rest out of the holder, change the degree to which the screws © are tightened.

#### **Fitting**

1. Push the side rest into the holder.

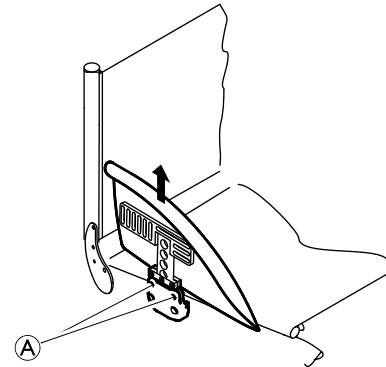
1583557-A

### Adjusting the height

1. Loosen the screw ① of the retaining plate ②.
2. Move the armrest upwards or downwards until you reach the desired height.
3. Tighten the screw ①.
4. Perform the setting on both sides.

### 3.6 Mudguard

In order to prevent dirt from the wheels spraying upwards, a removable mudguard can be fitted. The position of the mudguard can be adjusted. The adjustment must be carried out by the specialist dealer.



#### **Removing**

1. Pull the mudguard upwards out of the holder.
2. To adjust how easy or difficult it is to pull the mudguard out of the holder, change the degree to which the screws ① are tightened.

#### **Fitting**

1. Push the mudguard into the holder.

### 3.7 Clothes-guard

A clothes-guard can be fitted to protect your clothes. Before folding the back of the wheelchair, the clothes-guard must first be folded inwards against the backrest.

### 3.8 Antitipper

An antitipper prevents the wheelchair from tipping backwards.



#### WARNING!

#### Risk of overturning

Antitippers that are incorrectly set or no longer working can lead to overturning.

- Always check that the antitipper is working before using the wheelchair and have it set or readjusted by a specialist dealer when required.

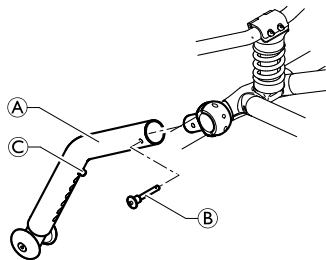


#### WARNING!

#### Risk of overturning

On uneven or soft ground, the antitipper can sink into potholes or directly into the ground, thereby curtailing or eliminating its safety function.

- Only use the antitipper when travelling on even and firm ground.



### Activating the antitipper

1. Slide the Antitipper (A) onto the bracket and fix it with the quickpin (B).



#### WARNING!

#### Risk of tipping

An activated antitipper can catch when negotiating a step or an edge.

- Always deactivate the antitipper before driving over a step or kerb.

### Deactivating the antitipper

1. Unplug the quickpin and remove the Antitipper.

### Setting the height

1. Press the spring pin (C) on the antitipper and push the inner section to the position required. Allow the spring pin to engage in the nearest hole.


### 3.9 Tires

The ideal pressure depends on the tire type:

The table below is an indication. In case the tire differs from the list below, check the side of the tire, the maximum pressure is often listed there.


Tire	Max. pressure		
	bar	kPa	psi
Light wheel	7 bar	700 kPa	101 psi
Profile tire	7 bar	700 kPa	101 psi
Schwalbe® Marathon Plus tire	10 bar	1000 kPa	145 psi
Schwalbe® One	10 bar	1000 kPa	145 psi

Tire	Max. pressure		
	Schwalbe® Rightrun, blue	10 bar	1000 kPa
Solid tire, profile, grey	-	-	-
Solid tire (KIK type), black	-	-	-
Solid, light wheel	-	-	-

 The compatibility of the tires listed above depends on the configuration and/or model of your wheelchair.

### 3.10 Seat cushion

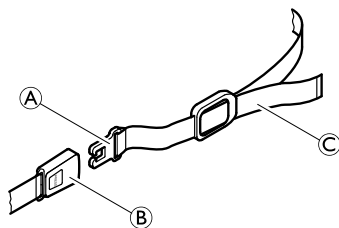
A suitable cushion is needed to provide an even pressure distribution on the seat.

 Use a seat cushion with anti-slip underlay or Velcro® (hook) fastening tapes to avoid slipping of the seat cushion. A Velcro® (loop) fastening tape is pre-attached to the seat cover.

## 4 ACCESSORIES

### 4.1 Pelvic belt

Your wheelchair can be fitted with a pelvic belt which will prevent you from sliding forward in the wheelchair or from falling out of the wheelchair.



#### WARNING!

##### Risk of serious injuries through strangulation.

- Ensure that you are sitting fully back in the seat and that the pelvis is as upright and symmetrical as possible - not forward on one side or tilted back.
- Position the lap belt so that the hip bones can be felt above the belt.
- Adjust the length using the buckles so that there is just sufficient room for your hand to slide between your body and the belt. It is recommended that the clasp is kept in a central position, i.e. make adjustments to each side.
- Make sure that the belt cannot slide and the clasp does not dissolve. Refit the pelvic belt if necessary, ® specialist dealer.
- Check and possibly change these adjustments each time the belt is used.

#### Opening the pelvic belt

1. Push in the PRESS button and pull the catch Ⓐ out of the buckle Ⓑ. The pelvic belt opens.

#### Closing the pelvic belt

1. Push the catch Ⓐ into the buckle Ⓑ.
2. Pull the belt Ⓒ until you are held securely in the wheelchair.

### 4.2 Air pump

The air pump is fitted with a universal valve connection.

1. Remove the dust cap from the valve connection.
2. Push the valve connection onto the open valve on the wheel and pump the wheel up.



### 4.3 Passive illumination

You can attach reflectors to the rear wheels.

### 4.4 Luggage carrier

Your wheelchair can be fitted with a luggage carrier. When not in use, the luggage carrier can be folded up.

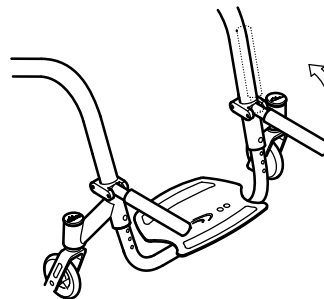


#### **WARNING!**

#### **Risk of tipping**

Weight on the carrier changes the tipping behaviour of the wheelchair. The wheelchair can tip forwards more easily when the luggage carrier is loaded.

- Use the luggage carrier only for transporting small and lightweight luggage.
- Avoid driving the wheelchair too fast when carrying luggage.
- Avoid driving ramps and slopes when carrying luggage.
- Do not stand on the luggage carrier.



---

## 5 SETUP

---

### 5.1 Safety information

**CAUTION!****Risk of injury**

- Before using the wheelchair, check its general condition and its main functions, 8.2 Maintenance Schedule, page 29.

Your specialist dealer will supply your wheelchair ready for use. Your dealer will explain the main functions and ensure that the wheelchair meets your needs and requirements.

## 6 USING THE WHEELCHAIR

### 6.1 Safety information

**WARNING!****Risk of accidents**

Uneven tire pressure can have a huge effect on handling.

- Check the tire pressure before each journey.

**WARNING!****Risk of falling out of the wheelchair**

When using too small front wheels the wheelchair could get stuck at curbs or in floor grooves.

- Make sure that the front wheels are suitable for the surface you're driving on.

**CAUTION!****Risk of crushing**

There may be a very small gap between the rear wheel and the mudguard with the risk that you could trap your fingers.

- Ensure that you always propel your wheelchair using the handrims only.

**CAUTION!****Risk of crushing**

There may be a very small gap between the rear wheel and the parking brake with the risk that you could trap your fingers.

- Ensure that you always propel your wheelchair using the handrims only.

### Theft and metal detection systems

In seldom cases the materials used in the wheelchair may activate theft and metal detection systems.

## 6.2 Braking during use

Whilst you are moving, you brake by transferring force to the handrim with your hands.



### **WARNING!** **Risk of overturning**

If you apply the parking brakes while you are moving, the direction of movement can become uncontrollable and the wheelchair may stop suddenly, which can lead to a collision or to you falling out.

- Never apply the parking brakes while you are moving.



### **WARNING!** **Risk of falling out of the wheelchair**

If the wheelchair is rapidly decelerated by an assistant pulling at the push handles, the user may fall out of the wheelchair.

- Always apply the pelvic belt if present.
- Make sure your assistant has been trained individually in transferring occupied wheelchairs.



### **CAUTION!** **Risk of burning your hands**

If you brake for a long time, a lot of frictional heat is produced at the handrims (especially MaxGrepp and Supergripp).

- Wear suitable gloves.

1. Hold the handrims and press evenly with both hands until the wheelchair stops.

## 6.3 Getting in and out of the wheelchair



### **WARNING!** **Risk of overturning**

There is a high risk of overturning during the transfer.

- Only get in and out without assistance if you are physically able to do so.



### **WARNING!** **Risk of overturning**

The wheelchair could tip forwards if you stand on the footrest.

- Never stand on the footrest when getting in and out.



### **CAUTION!**

If you release or damage the brakes the wheelchair could roll away out of control.

- Do not support yourself on the brakes when getting in and out.



### **IMPORTANT!**

The mudguards and armrests could become damaged.

- Never sit on the mudguards or armrests when getting in and out.

1. Apply the parking brakes.
2. Place your feet on the ground.
3. Hold the wheelchair and, if necessary, also hold a fixed object in the vicinity.
4. Move slowly to chair.

## 6.4 Driving and steering the wheelchair

You drive and steer the wheelchair using the handrims. Before driving without an assistant you must find your wheelchair's tipping point.



### WARNING!

#### Risk of tipping

The wheelchair can tip backwards if it is not fitted with an antitipper. When finding the tipping point, an assistant must stand immediately behind the wheelchair to catch it if it tips over.

- To prevent tipping, install an antitipper device.



### WARNING!

#### Risk of tipping

The wheelchair can tip forwards.

- When setting up your wheelchair, test its behaviour in terms of tipping forward and adjust your driving style accordingly.

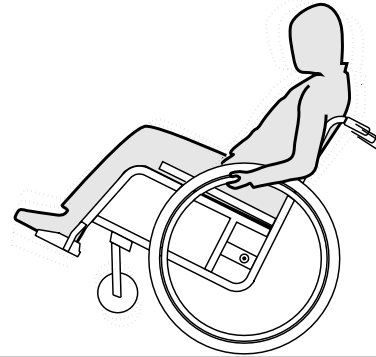


### CAUTION!

A heavy load hanging on the backrest can affect the wheelchair's centre of gravity.

- Change your driving style accordingly.

## Finding the tipping point



1. Release the brake.
2. Roll forwards a short distance, grasp both handrims firmly and pull backwards with a slight kick.
3. The shift in weight and steering in opposite directions with the handrims will enable you to identify the tipping point.

## 6.5 Negotiating steps and kerbs



### **WARNING!** **Risk of overturning**

When negotiating steps you could lose your balance and tip the wheelchair over.

- Always approach steps and kerbs slowly and carefully.
- Do not go up or down steps that are higher than 25 cm.



### **CAUTION!**

An activated antitipper prevents the wheelchair from tipping backwards.

- Deactivate the antitipper before going up or down steps or kerbs.

### With an assistant



### Going down a step

1. Move the wheelchair right up to the kerb and hold the handrims.
2. The assistant should hold both push handles, place one foot on the tipper aid (if installed) and tilt the wheelchair backwards so that the front wheels lift off the ground.
3. The assistant should then hold the wheelchair in this position, push it carefully down the step and then tilt it forwards until the front wheels are back on the ground.

## Going up a step



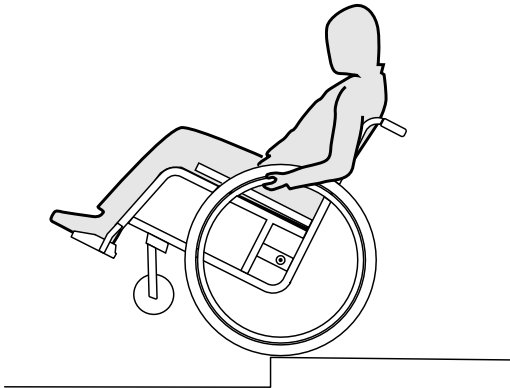
### **WARNING!** **Risk of serious injuries**

Going up steps and kerbs frequently can result in earlier than expected fatigue break of the wheelchair backrest. The user might fall out of the wheelchair.

– Always use a tipper aid when going up steps or kerbs.

1. Move the wheelchair backwards until the rear wheels touch the kerb.
2. The assistant should tilt the wheelchair using both push handles so that the front wheels lift off the ground, then pull the rear wheels over the kerb until the front wheels can be placed back on the ground.

## Without an assistant



### **WARNING!** **Risk of tipping**

When going down a step without an assistant you could tip over backwards if you cannot control your wheelchair.

- First learn how to go down a step with an assistant.
- Learn how to balance on the rear wheels, 6.4 Driving and steering the wheelchair, page 21.

## Going down a step

1. Move the wheelchair right to the kerb, lift the front wheels and keep the wheelchair balanced.
2. Now slowly roll both rear wheels over the kerb. While doing this, hold the handrims firmly with both hands until the front wheels are back on the ground.

## 6.6 Going up and down stairs



### **WARNING!** **Risk of overturning**

When negotiating stairs you could lose your balance and overturn your wheelchair.

- Always use two assistants when negotiating stairs with more than one step.



1. You can go up and down stairs by taking them one step at a time, as described above. The first assistant should stand behind the wheelchair holding the push handles. The second assistant should hold a solid part of the front frame to steady the wheelchair from the front.

## 6.7 Negotiating ramps and slopes



### **WARNING!** **Risk due to wheelchair being out of control**

When negotiating slopes or gradients your wheelchair could tip backwards, forwards or sideways.

- Always have an assistant behind the wheelchair when approaching long slopes.
- Avoid lateral slopes.
- Avoid slopes of more than 7°.
- Avoid jerking when changing direction on a slope.



### **CAUTION!**

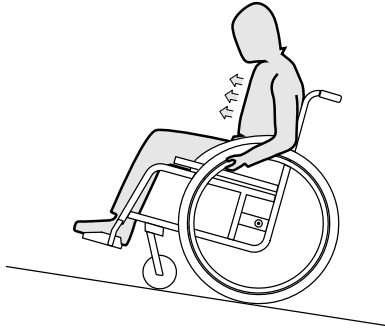
Your wheelchair could run away even on slightly sloping ground if you do not control it using the handrims.

- Use the parking brakes if your wheelchair is stationary on sloping ground.



## Going up slopes

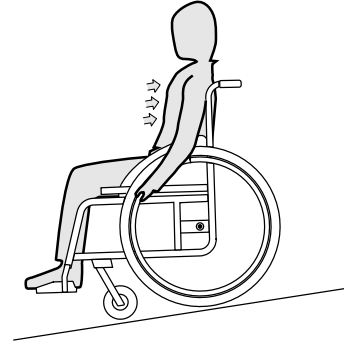
To go up a slope, you must create some momentum, keep up the momentum and control the direction at the same time.



1. Bend your upper body forwards and propel the wheelchair with quick, powerful strokes on both handrims.

## Going down slopes

When going down slopes, it is important to control your direction and particularly your speed.



1. Lean back and carefully allow the handrims to run through your hands. You should be able to stop the wheelchair at any time by gripping the handrims.



### **CAUTION!**

#### **Risk of burning your hands.**

If you brake for a long time, a lot of frictional heat is produced at the handrims (especially MaxGripp and Supergripp).

– Wear suitable gloves.

## 6.8 Stability and balance when seated

Some everyday activities and actions require you to lean forwards, sideways or backwards out of the wheelchair. This has a major effect on the wheelchair's stability. To keep your balance at all times, proceed as follows:

### Leaning forwards

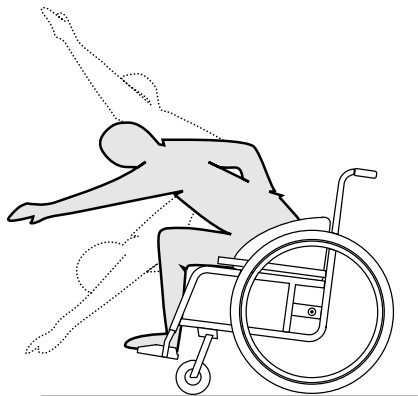


#### **WARNING!**

#### **Risk of falling out**

If you lean forwards out of the wheelchair you could fall out of it.

- Never bend too far forwards and do not shift forwards in your seat to reach an object.
- Do not bend forwards between your knees to pick up something off the floor.



1. Point the front wheels forwards. (To do this, move your wheelchair forwards slightly then back again.)
2. Apply both parking brakes.
3. When leaning forwards your upper body must remain over the front wheels.

### Reaching backwards

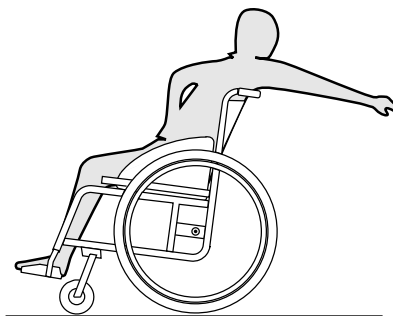


#### **WARNING!**

#### **Risk of falling out**

If you lean too far backwards you could tip your wheelchair over.

- Do not lean out over the backrest.
- Use an antitipper device.



1. Point the front wheels forwards. (To do this, move your wheelchair forwards slightly then back again.)
2. Do not apply the parking brakes.
3. When reaching backwards do not reach so far that you have to change your sitting position.

## 7 TRANSPORT

### 7.1 Safety information



#### **WARNING!**

#### **Risk of injury if wheelchair is not secured during transport**

Your wheelchair is not designed for passenger transport in vehicles. You could suffer serious injury in an accident.

- During transport, sit in a correctly secured seat, not in the wheelchair.



#### **WARNING!**

#### **Risk of injury if the wheelchair is not properly secured**

In the event of an accident, braking manoeuvre, etc. you may suffer serious injuries from flying wheelchair parts.

- Always remove the rear wheels when transporting the wheelchair.
- Firmly secure all wheelchair components in the means of transport to prevent them from coming loose during the journey.



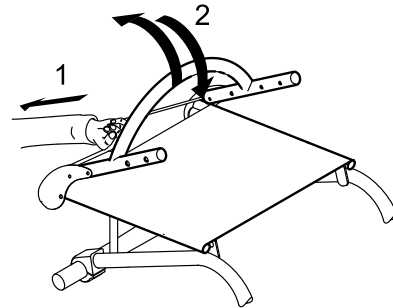
#### **IMPORTANT!**

Excessive wear and abrasion could affect the strength of load-bearing parts.

- Do not pull your wheelchair across abrasive surfaces without the wheels fitted (e.g. pulling the frame over tarmac).

### 7.2 Folding and unfolding the wheelchair

The wheelchair has a rigid frame. Nevertheless, the backrest can be folded forwards and fixed there.



#### **Folding the wheelchair**

1. Remove the seat cushion, if present.
2. Fold the clothes-guard, if present, inwards against the backrest on both sides.
3. Pull the cord on the back of the wheelchair (1) and fold the backrest forward (2) until it engages.
4. The wheelchair can now be lifted using the backrest brace.

#### **Unfolding the wheelchair**



#### **IMPORTANT!**

- When unfolding the wheelchair, do not pull the backrest brace without previously releasing the backrest using the cord.
- Check that the backrest is completely engaged on the frame, before you use the wheelchair again.

1. Pull the cord on the backrest of the wheelchair (1).
2. Pull the backrest backwards (2) using the backrest brace, until the backrest tube engages on both sides of the frame.
3. Fold the clothes-guard back into position on both sides.

### 7.3 Removing and fitting the rear wheels

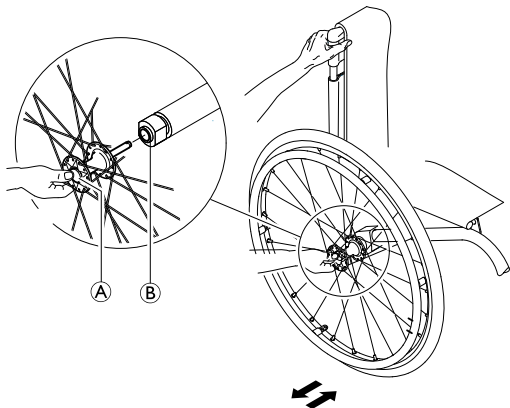


#### **WARNING!**

#### **Risk of overturning**

If the removable axle of a rear wheel is not fully engaged, the wheel can become loose during use. This can lead to overturning.

- Always ensure that the removable axles are fully engaged whenever you fit a wheel.



#### **Removing the rear wheels**

1. Release the brakes.
2. With one hand, hold the wheelchair upright.

3. With the other, hold the wheel through the external spoke rim around the wheel hub.
4. Using your thumb, press the removable axle button (A). Keep it pressed and pull the wheel out of the adapter sleeve (B).

#### **Fitting the rear wheels**

1. Release the brakes.
2. With one hand, hold the wheelchair upright.
3. With the other, hold the wheel through the external spoke rim around the wheel hub.
4. Using your thumb, press the removable axle button and hold it down.
5. Push the axle into the adapter sleeve (B) up to the stop.
6. Release the removable axle button and make sure that the wheel is secure.

## 8 MAINTENANCE

### 8.1 Safety information



#### WARNING!

Some materials deteriorate naturally over time. This could result in damage to wheelchair components.

- Your wheelchair should be checked by a specialist dealer at least once a year or if it has not been used for a long period.



Your *küschall*® specialist dealer can provide help in carrying out regular maintenance. To find an authorised specialist dealer near you, contact the *küschall*® distributor for your country (end of this document).

### 8.2 Maintenance Schedule

To ensure safe and reliable operation, carry out the following checks and maintenance regularly or have it carried out by another person.

	weekly	monthly	annually
Check the tire pressure	x		
Check that rear wheels are seated correctly	x		
Check pelvic belt	x		
Visual check		x	
Clean the front wheels		x	
Check bolts		x	

	weekly	monthly	annually
Check spokes		x	
Check parking brakes		x	
Have wheelchair checked by a specialist dealer			x

#### Check the tire pressure

1. Check the tire pressure, 3.9 Tires, page 14.
2. Inflate the tires to the required pressure.
3. Check the tire tread at the same time.
4. If necessary, change the tires.

#### Check that rear wheels are seated correctly

1. Pull on the rear wheel to check that the removable axle is seated correctly. The wheel should not come off.
2. If the rear wheels are not engaged properly, remove any dirt or deposits. If the problem persists, have the removable axles re-fitted by a specialist dealer.

#### Check pelvic belt

1. Check that the pelvic belt is adjusted correctly.



#### IMPORTANT!

- Loose pelvic belts must be adjusted by a specialist dealer.
- Damaged pelvic belts must be replaced by a specialist dealer.

## Visual check

1. Examine your wheelchair for loose parts, cracks or other defects.
2. If you find anything, have your wheelchair checked immediately by a specialist dealer.

## Clean the front wheels

1. Check that the front wheels turn freely.
2. Remove any dirt or hair from the front wheel bearings.

## Check the bolts

Bolts can work loose through constant use.

1. Check that the bolts are tight (on the footrest, seat cover, sides, backrest, frame, seat module).
2. Tighten any loose bolts with the suitable torque. Therefore refer to the Service Manual küschall R33, available on the internet at [www.kueschall.com](http://www.kueschall.com).



### IMPORTANT!

Safety nuts and bolts lose their effectiveness as a result of repeated loosening and tightening.  
– Safety nuts and bolts must be replaced by a specialist dealer.

## Check the spoke tension

The spokes should not be loose or distorted.

1. Loose spokes must be tightened by a specialist dealer.
2. Broken spokes must be replaced by a specialist dealer.

## Check the parking brakes

1. Check that the parking brakes are positioned correctly. The brake is set correctly if the brake shoe depresses the tire by a few millimeters when the brake is applied.
2. If you find that the setting is not correct, have the brakes correctly set by a specialist dealer.



### IMPORTANT!

The parking brakes must be reset after replacing the rear wheels or changing their position.

## Checking after a heavy collision or blow



### IMPORTANT!

The wheelchair can sustain visibly undetectable damage as a result of a heavy collision or hard blow.  
– It is essential to have your wheelchair checked by a specialist dealer after a heavy collision or hard blow.

## Repairing or changing an inner tube

1. Remove the rear wheel and release any air from the inner tube.
2. Lift one tire wall away from the rim using a bicycle tire lever. Do not use sharp objects such as a screwdriver which could damage the inner tube.
3. Pull the inner tube out of the tire.
4. Repair the inner tube using a bicycle repair kit or, if necessary, replace the tube.
5. Inflate the tube slightly until it becomes round.
6. Insert the valve into the valve hole on the rim and place the tube inside the tire (the tube should lie right round the tire with no creases).

7. Lift the tire wall over the edge of the rim. Start close to the valve and use a bicycle tire lever. When doing this, check all the way round to ensure that the inner tube is not trapped between the tire and the rim.
8. Inflate the tire to the maximum operating pressure. Check that no air is escaping from the tire.

### Spare parts



All spare parts may be obtained from a küschall® specialist dealer. A current list of spare parts is available on the internet at [www.kueschall.com](http://www.kueschall.com).

## 8.3 Cleaning

Your wheelchair will serve you well for many years if you clean it regularly.



### IMPORTANT!

Sand and seawater can damage the bearings and steel parts can rust if the surface is damaged.

- Only expose the wheelchair to sand and seawater for short periods and clean it after every trip to the beach.



### IMPORTANT!

- Do not use coarse abrasives, aggressive cleaning products or high-pressure cleaners.

1. Clean the cushions and metal parts with a soft, damp cloth.
2. Dry the wheelchair carefully with a cloth after using it in the rain or in the shower.
3. If the wheelchair is dirty, wipe off the dirt as soon as possible with a damp cloth and dry it carefully.

## 8.4 Disinfection

The wheelchair may be disinfected by spraying or wiping with tested, approved disinfectants.



The Robert Koch Institute has a list of currently approved disinfectants at [www.rki.de](http://www.rki.de).

---

## 9 TROUBLESHOOTING

---

### 9.1 Safety information

Faults may arise as a result of daily use, adjustments or changing demands on the wheelchair. The table below shows how to identify and repair faults.

**CAUTION!**

- Contact your specialist dealer immediately if you notice a fault with your wheelchair, e.g. a significant change in handling.

**IMPORTANT!**

- Some of the actions listed must be carried out by an authorised specialist dealer. These are indicated. We recommend that *all* adjustments are carried out by a specialist dealer.



## 9.2 Identifying and repairing faults

Fault	Possible cause	Action
The wheelchair does not travel in a straight line	Incorrect tire pressure on one rear wheel	Correct tire pressure, ® 3.9 Tires, page 14
	One or more spokes broken	Replace faulty spoke(s), ® specialist dealer
	Spokes tightened unevenly	Tighten loose spokes, ® specialist dealer
	Front wheel bearings are dirty or damaged	Clean or replace the bearings, ® specialist dealer
The wheelchair tips backwards too easily	Rear wheels are mounted too far forwards	Mount the rear wheels further back, ® specialist dealer
	Back angle too large	Reduce the backrest angle, ® specialist dealer
The brakes are gripping poorly or asymmetrically	Incorrect tire pressure in one or both rear tires	Correct tire pressure, ® 3.9 Tires, page 14
	Brake setting incorrect	Correct the brake setting, ® specialist dealer
Rolling resistance is very high	Tire pressure in rear tires is too low	Correct tire pressure, ® 3.9 Tires, page 14
	Rear wheels not parallel	Ensure the rear wheels are parallel, ® specialist dealer
The front wheels wobble when moving fast	Too little tension in front wheel bearing block	Tighten the nut on the bearing block axle slightly, ® specialist dealer
	Front wheel has worn smooth	Change front wheel, ® specialist dealer
The front wheel is stiff or stuck	Bearings are dirty or faulty	Clean or replace the bearings, ® specialist dealer

---

## 10 AFTER USE

---

### 10.1 Storage

**IMPORTANT!**

Risk of damage to the product

- Do not store the product near heat sources.
- Never store other items on top of the wheelchair.
- Store the wheelchair indoors in a dry environment.
- Refer to section 11.2 Environmental conditions, page 36.

After long-term storage (more than four months) the wheelchair must be inspected in accordance to chapter 8 Maintenance, page 29.

### 10.2 Re-use

The wheelchair is suitable for re-use. The following actions should be taken:

- Cleaning and disinfection, 8.3 Cleaning, page 31 and 8.4 Disinfection, page 31 in this manual.
- Inspection, 8.2 Maintenance Schedule, page 29 in this manual.
- The wheelchair should be adapted for the new user in accordance with the service documentation (available from the *küschall*® distributor in your country).

### 10.3 Disposal

Be environmentally aware and dispose of your wheelchair properly. Disposal is subject to national and local regulations.

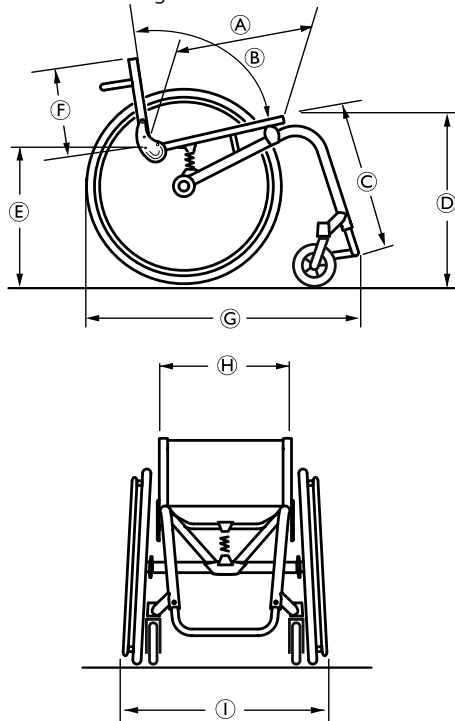


For correct disposal, contact your specialist dealer or ask your town or district council about local waste management companies.

## 11 TECHNICAL DATA

### 11.1 Dimensions and weight

All dimension and weight specifications refer to a seat width of 400 mm, seat depth of 400 mm in the lightest configuration of the wheelchair. Dimension and weight may alter according to different configurations.



Ⓐ	Seat depth	375 – 450 mm, in increments of 25 mm
Ⓑ	Backrest angle	74°/78°/82°/86°/90°
Ⓒ	Knee-to-heel length	300 – 480 mm, in increments of 10 mm
Ⓓ	Seat height front	460 – 510 mm, in increments of 10 mm
Ⓔ	Seat height rear	430 – 480 mm, in increments of 10 mm
Ⓕ	Backrest height	270 – 465 mm, in increments of 15 mm
Ⓖ	Total length	75°: approx. 830 mm 90°: approx. 760 mm
Ⓗ	Seat width	340 – 440 mm, in increments of 20 mm
Ⓘ	Total width	Seat width + 170 mm
	Total weight	approx. 9,4 kg
	Transport weight (without rear wheels)	approx. 6,8 kg
	Maximum user weight	100 kg
	Reversing width	920 – 1230 mm
	Center of gravity	39 – 154 mm, in increments of 23 mm
	Max. safe slope	7°

## 11.2 Environmental conditions

Do not expose the wheelchair to temperatures below -20 °C or above 40 °C.

## 11.3 Materials

The components used to manufacture küschall® wheelchairs consist of following materials:

Frame tubes / Backrest tubes	Aluminium / Titanium <sup>1)</sup> / Carbon <sup>1)</sup>
Seat cover / Backrest cover	PA / PE / PVC
Push handle	Steel / Aluminium / PVC
Clothes guard / Mudguard	Plastic or Carbon <sup>1)</sup>
Supporting parts / Attachments	Steel / Aluminium / Titanium <sup>1)</sup>
Screws and bolts	Steel
Castors	Aluminium

<sup>1)</sup> Not for all küschall® wheelchair models Carbon and/or Titanium options are available.

# CONTENIDO

Este manual DEBE ser entregado al usuario final. ANTES de usar este producto lea este manual y guárdelo para futuras referencias.

<b>1</b>	<b>Generalidades</b>	<b>39</b>
1.1	Información sobre el manual del usuario	39
1.2	Símbolos en este manual	39
1.3	Garantía	39
1.4	Estándares y normativas	40
1.5	Uso debido	40
1.6	Vida útil	40
1.7	Protección de la propiedad intelectual	40
<b>2</b>	<b>Seguridad</b>	<b>41</b>
2.1	Información de seguridad	41
2.2	Dispositivos de seguridad	42
2.3	Etiquetas y símbolos en el producto	42
<b>3</b>	<b>Estructura y funcionamiento</b>	<b>44</b>
3.1	Vista global	44
3.2	Frenos de estacionamiento	45
3.3	Respaldo	47
3.4	Empuñaduras	47
3.5	Reposabrazos, con ajuste en altura infinito, sin bloqueo	48
3.6	Guardabarros	48
3.7	Protector de ropa	49
3.8	Dispositivo antivuelco	49
3.9	Neumáticos	50
3.10	Cojín del asiento	50
<b>4</b>	<b>Accesorios</b>	<b>51</b>
4.1	Cinturón pélvico	51
4.2	Bomba de inflar	52

4.3	Iluminación pasiva	52
4.4	Portaequipajes	52
<b>5</b>	<b>Instalación</b>	<b>53</b>
5.1	Indicaciones de seguridad	53
<b>6</b>	<b>Conducción de la silla de ruedas</b>	<b>54</b>
6.1	Información sobre seguridad	54
6.2	Frenado durante la marcha	55
6.3	Subida y bajada de la silla de ruedas	55
6.4	Propulsión y conducción de la silla de ruedas	56
6.5	Desplazamiento con escalones y descansillos	57
6.6	Bajar escaleras	59
6.7	Conducción sobre rampas y pendientes	60
6.8	Estabilidad y equilibrio al estar sentado	61
<b>7</b>	<b>Transporte</b>	<b>63</b>
7.1	Indicaciones de seguridad	63
7.2	Plegado y desplegado de la silla de ruedas	63
7.3	Montaje y desmontaje de las ruedas traseras	64
<b>8</b>	<b>Mantenimiento</b>	<b>66</b>
8.1	Indicaciones de seguridad	66
8.2	Plan de mantenimiento	66
8.3	Cuidado	68
8.4	Desinfección	69
<b>9</b>	<b>Solución de problemas</b>	<b>70</b>
9.1	Indicaciones de seguridad	70
9.2	Detección y reparación de averías	71
<b>10</b>	<b>Después del uso</b>	<b>73</b>
10.1	Almacenamiento	73
10.2	Reutilización	73
10.3	Eliminación de desechos	73

<b>11</b>	<b>Datos técnicos</b>	<b>74</b>
11.1	Dimensiones y peso	74
11.2	Condiciones ambientales	75
11.3	Materiales	75

# 1 GENERALIDADES

## 1.1 Información sobre el manual del usuario

Gracias por elegir una silla de ruedas küschall®.

Este manual del usuario contiene información importante sobre el uso de la silla de ruedas. Para garantizar la seguridad cuando utilice la silla de ruedas, lea detenidamente el manual del usuario y siga la información de seguridad.

Si tiene problemas de vista, puede consultar el manual del usuario en formato PDF, que se encuentra en Internet en [www.kuschall.com](http://www.kuschall.com) y aumentar su tamaño tanto como sea necesario para verlo en pantalla. Si no puede aumentar lo suficiente el tamaño del texto y de los gráficos, póngase en contacto con el distribuidor de küschall® de su país; ® direcciones en el dorso de este documento. En caso de ser necesario, le proporcionaremos un fichero PDF de alta resolución con el manual del usuario. Además, puede utilizar programas de ordenador adecuados provistos de funciones de lenguaje especiales (por ejemplo, Adobe®Reader®X: Mayús+Ctrl+Y) para leer el fichero PDF en voz alta.



El equipamiento de la silla de ruedas puede diferir de las descripciones y los diagramas expuestos aquí, debido a la amplia gama de modelos disponible.

Para obtener la información importante más reciente sobre el producto, visite nuestro sitio web en [www.kuschall.com](http://www.kuschall.com), consulte al distribuidor local o póngase en contacto con las oficinas de Invacare® en su país (las direcciones se encuentran en la contraportada de este manual).

## 1.2 Símbolos en este manual

Las advertencias se identifican mediante símbolos en este manual del usuario. Las indicaciones van precedidas de textos de señalización que expresan la magnitud del peligro.



### ADVERTENCIA

Indica una posible situación peligrosa que, de no ser evitada, puede provocar lesiones graves o la muerte.



### PRECAUCIÓN

Indica una posible situación peligrosa que, de no ser evitada, puede provocar lesiones leves o moderadas.



### IMPORTANTE

Indica una posible situación peligrosa que, de no ser evitada, puede provocar daños materiales.



Pone de relieve consejos y recomendaciones útiles, así como información para el uso eficiente y sin averías.



Este producto cumple con la Directiva 93/42/CEE en lo concerniente a dispositivos médicos. La fecha de lanzamiento de este producto figura en la declaración de conformidad CE.



Fabricante

## 1.3 Garantía

Küschall AG garantiza el perfecto estado y funcionamiento de su silla de ruedas. La garantía cubre todas las averías y defectos que de forma probada proceden de una fabricación incorrecta, mala

calidad de los materiales o modelo defectuoso. Los derechos de garantía frente a Kuschall AG sólo pueden ser reclamados por el distribuidor, y no por el usuario de la silla de ruedas.

Esta garantía no cubre las consecuencias del desgaste normal, de un uso incorrecto o daños, así como la falta de mantenimiento, el montaje o puesta en marcha defectuosos por parte del comprador o de terceros, o problemas que son consecuencia de circunstancias externas. Las piezas de cierre quedan excluidas de la garantía. La obligación de garantía se cancela cuando en la silla de ruedas se han realizado modificaciones no previstas y no ejecutadas por el distribuidor especializado, así como por el empleo de recambios inapropiados. La garantía de Kuschall AG no incluye los gastos que surgen como consecuencia de la subsanación del problema, por ejemplo los fletes o transporte, costes salariales, gastos de viaje, etc.

El plazo de validez de la garantía es de 24 meses. La estructura tiene una garantía de hasta 5 años.

Además, las condiciones forman parte de las condiciones generales de cada país donde se vende el producto.

## 1.4 Estándares y normativas

La calidad es fundamental para el funcionamiento de la empresa, que trabaja conforme a las normativas ISO 9001 e ISO 13485.

Se ha probado la silla de ruedas según la norma EN 12183. Entre las evaluaciones se incluye una prueba de inflamabilidad.

Kuschall AG trabaja continuamente para garantizar que se reduce al mínimo el impacto medioambiental de la empresa, tanto local como globalmente. Solo utilizamos materiales y componentes que cumplen con las directivas REACH y RoHS.

## 1.5 Uso debido

La silla de ruedas activa se acciona manualmente y sirve exclusivamente para el movimiento autónomo o con

acompañante de una persona con impedimentos para caminar. Solamente las personas física y mentalmente capaces pueden utilizar de forma segura el dispositivo sin la ayuda de un asistente (por ejemplo accionarla, dirigirla y frenarla). La silla de ruedas debe utilizarse exclusivamente sobre suelos lisos, en terrenos no dificultosos o en espacios interiores. Esta silla de ruedas activa debe adaptarse y ajustarse a su estado de salud concreto.



### ¡ADVERTENCIA!

Todo uso distinto del previsto o utilización inadecuada de la silla de ruedas puede provocar situaciones peligrosas.

## 1.6 Vida útil

La vida útil prevista es de cinco años, siempre y cuando el producto se utilice diariamente y conforme a las instrucciones de seguridad y las instrucciones de mantenimiento, y se respete el uso previsto, tal y como se indica en el presente manual.

## 1.7 Protección de la propiedad intelectual

Este manual del usuario está protegido por derechos de propiedad intelectual. Su reimpresión, reproducción o transmisión a terceros, ya sea total o parcial, no se permite sin el consentimiento previo por escrito del fabricante.



## 2 SEGURIDAD

### 2.1 Información de seguridad

En esta sección se incluye información importante de seguridad para la protección del usuario de la silla de ruedas y su cuidador, así como para el uso seguro y sin problemas de la silla de ruedas.



#### **¡ADVERTENCIA!**

##### **Riesgo de accidentes y de lesiones graves**

Se pueden producir accidentes con lesiones graves si la silla de ruedas no está correctamente ajustada.

- Los ajustes de la silla de ruedas siempre deben ser realizados por un distribuidor especialista.



#### **¡ADVERTENCIA!**

##### **Riesgos debidos a un estilo de conducción inadecuado para las condiciones**

Existe el riesgo de que la silla de ruedas patine en suelos húmedos, en gravilla o en terrenos irregulares.

- Adapte siempre la velocidad y el estilo de conducción a las condiciones (condiciones climatológicas, tipo de superficie, habilidad individual, etc.).



#### **¡ADVERTENCIA!**

##### **Riesgo de lesiones**

En caso de colisión, podría sufrir lesiones en partes del cuerpo que sobresalen de la silla de ruedas (por ejemplo, los pies o las manos).

- En caso de colisión inminente, frene la silla.
- No conduzca nunca hacia un objeto de frente.
- Conduzca con cuidado por espacios estrechos.



#### **¡ADVERTENCIA!**

##### **Riesgos provocados por una silla de ruedas fuera de control**

A velocidades altas, podría perder el control de la silla de ruedas y volcar.

- Nunca supere una velocidad de 7 km/h.
- Evite las colisiones en general.



#### **¡PRECAUCIÓN!**

##### **Riesgo de quemaduras**

Los componentes de la silla de ruedas pueden calentarse cuando se exponen a fuentes externas de calor.

- No exponga la silla de ruedas a la luz solar intensa antes de utilizarla.
- Antes de utilizarla, compruebe la temperatura de todos los componentes que están en contacto con la piel.



### ¡PRECAUCIÓN!

#### Riesgo de atrapamiento

Siempre existe el riesgo de que sus dedos o brazos queden atrapados entre las partes móviles de la silla de ruedas.

- Al accionar los mecanismos de plegado o inserción de las piezas en movimiento, como el eje extraíble de la rueda trasera, o bien al plegar el respaldo o el dispositivo antivuelco, existe riesgo de atrapamiento.

## 2.2 Dispositivos de seguridad



### ¡ADVERTENCIA!

#### Peligro de accidente

Unos dispositivos de seguridad (frenos, dispositivos antivuelco) incorrectamente ajustados o que no funcionen pueden provocar accidentes.

- Antes de cada uso de la silla de ruedas, compruebe el funcionamiento de los dispositivos de seguridad y encargue su control periódicamente a un distribuidor especializado.

Las funciones de los dispositivos de seguridad se describen en el capítulo 3 Estructura y funcionamiento, página 44.

## 2.3 Etiquetas y símbolos en el producto

### Placa de identificación

La placa de identificación se encuentra en el bastidor de su silla de ruedas y presenta la siguiente información:



(A)	Dirección del fabricante
(B)	Denominación del producto
(C)	Fecha de fabricación
(D)	Indicación de observar el manual del usuario
(E)	Peso máximo del usuario
(F)	Indicación que esta silla de ruedas no es apropiada para el transporte de personas en vehículos
(G)	Número de serie
(H)	Advertencia de que esta es una silla de ruedas activa y puede volcar



#### Símbolo de ADVERTENCIA

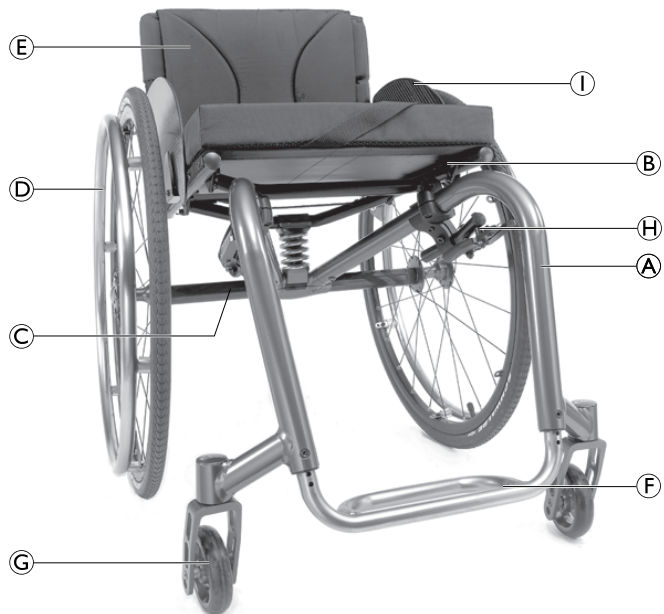
Esta silla de ruedas no está pensada para utilizarla como asiento en un vehículo de motor.

**Etiqueta de advertencia del dispositivo antivuelco**

Siga las instrucciones del manual del usuario antes de utilizar el dispositivo antivuelco.

## 3 ESTRUCTURA Y FUNCIONAMIENTO

### 3.1 Vista global



Ⓐ	Chasis
Ⓑ	Asiento
Ⓒ	Tubo del eje
Ⓓ	Rueda trasera con aro de propulsión
Ⓔ	Respaldo
Ⓕ	Reposapiés
Ⓖ	Horquilla de la rueda delantera con rueda
Ⓗ	Freno de estacionamiento
Ⓘ	Protector de ropa

#### Breve descripción

La kúschall R33 es una silla de ruedas de chasis rígido y respaldo abatible.



El equipamiento real de su silla de ruedas puede diferir del aquí presentado, ya que cada silla de ruedas se confecciona de forma especial según los datos del pedido.

## 3.2 Frenos de estacionamiento

Los frenos de estacionamiento sirven exclusivamente para fijar la silla de ruedas en un lugar y evitar el desplazamiento involuntario.



### ¡ADVERTENCIA!

#### Peligro de caída por frenado brusco

Si acciona los frenos de estacionamiento durante la marcha, no se podrá controlar el sentido de la marcha y la silla de ruedas puede frenar de forma brusca, lo que puede provocar choques o caídas.

- No accione nunca los frenos de estacionamiento durante la marcha.



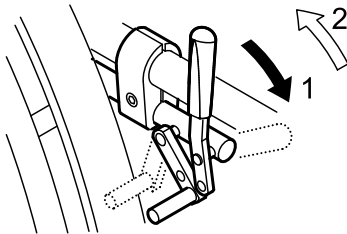
### ¡ADVERTENCIA!

#### Peligro de caída

El funcionamiento de los frenos de estacionamiento sólo se garantiza si los neumáticos tienen aire suficiente.

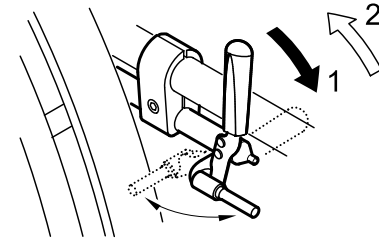
- Asegúrese de dar a los neumáticos la presión correcta, 3.9 Neumáticos, página 50.

### Freno de empuje estándar



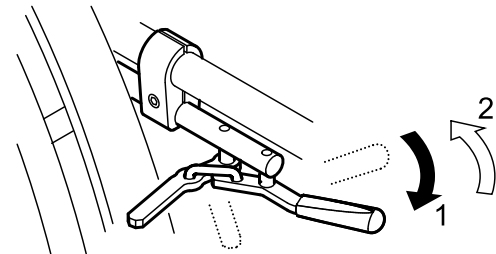
1. Para accionar el freno, presione la palanca de freno hacia delante hasta que haga tope.
2. Para soltar el freno, tire de la palanca de freno hacia atrás.

### Freno Performance



1. Para accionar el freno, presione la palanca de freno hacia delante hasta que haga tope.
2. Para soltar el freno, tire de la palanca de freno hacia atrás.

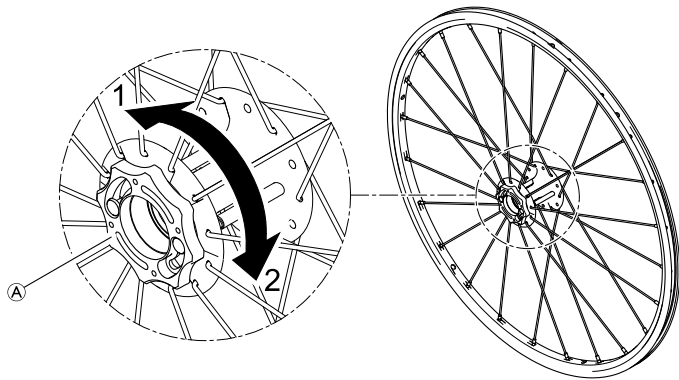
### Freno activo



1. Para accionar el freno, tire hacia delante de la palanca de freno ubicada junto a las rodillas o entre ellas hasta que haga tope.
2. Para soltar el freno, tire hacia atrás la palanca de freno ubicada junto a las rodillas o entre ellas.

### Freno de cubo (opcional)

El freno de cubo se acciona mediante el anillo de freno situado en la parte exterior del cubo de cada rueda.



1. Para activar este freno, gire el anillo de freno **A** en la dirección 1 hasta que se detenga.
2. Para soltar el freno de cubo, gire el anillo de freno en la dirección 2 hasta que se detenga.



#### ¡ADVERTENCIA!

##### **Peligro de vuelco si se frena bruscamente**

Si aplica los frenos de cubo con la silla en movimiento, se puede perder el control sobre la dirección del movimiento y es posible que la silla de ruedas se detenga bruscamente, lo cual podría provocar una colisión o una caída.

- No aplique nunca el freno de cubo mientras la silla esté en movimiento.



#### ¡ADVERTENCIA!

##### **Peligro de lesiones debido al vuelco de la silla de ruedas**

Cuando se va marcha atrás, la silla de ruedas podría volcar si se rompe el pasador del freno de cubo que bloquea la rueda.

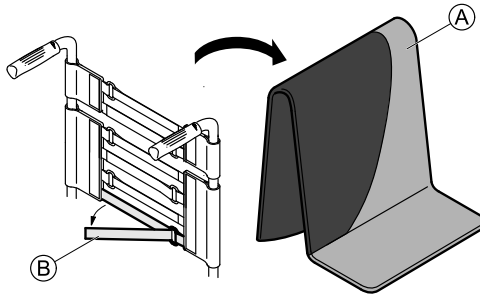
- Si escucha un ruido mecánico causado por el freno de cubo al desplazarse en la silla de ruedas, póngase en contacto de inmediato con su distribuidor especializado.
- Si escucha un sonido de ese tipo, evite ir marcha atrás hasta que el freno de cubo se repare o se sustituya por otro.

### 3.3 Respaldo

#### Funda del respaldo

La tensión de la funda del respaldo se puede adaptar a sus necesidades.

#### Adaptación de la funda del respaldo



1. Retire el acolchado del respaldo (A).
2. Suelte las cintas de velcro (B) de la parte trasera de la funda del respaldo tirando de ellas levemente.
3. Apriete las cintas con más o menos fuerza según sea necesario y a continuación vuelva a sujetarlas.



#### ¡ADVERTENCIA!

Si las cinchas están demasiado flojas, la silla puede volcar con más facilidad.

– Asegúrese de que las bandas están colocadas correctamente.

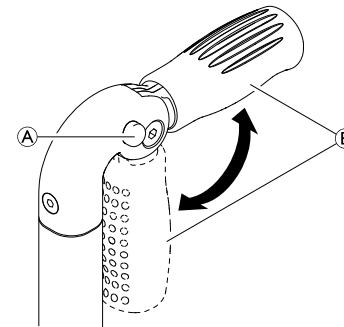
### 3.4 Empuñaduras



#### ¡IMPORTANTE!

– Antes de cada uso compruebe que las empuñaduras están bien sujetas y que no pueden girarse ni extraerse.

#### Empuñaduras abatibles (opcionales)



1. Pulse por completo el botón (A) y levante la empuñadura abatida (B) hasta que encaje de forma audible.

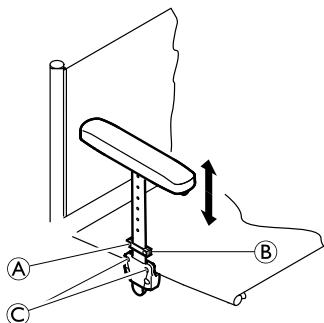


#### ¡PRECAUCIÓN!

Si la empuñadura no encaja correctamente, puede que se pliegue hacia abajo de forma accidental al empujar la silla de ruedas.

– Asegúrese de que la empuñadura encaje correctamente.

### 3.5 Reposabrazos, con ajuste en altura infinito, sin bloqueo



#### ¡ADVERTENCIA! Riesgo de lesiones

Los reposabrazos no están bloqueados y se pueden extraer fácilmente tirando hacia arriba.

- No levante o traslade la silla de ruedas sujetándola por los reposabrazos.
- No use los reposabrazos para transportar la silla de ruedas al subir o bajar escaleras.

#### Desmontaje

1. Tire del reposabrazos por el cojín del brazo para retirarlo del soporte.
2. Para ajustar la facilidad o dificultad de extracción del reposabrazos de su soporte, apriete o afloje los tornillos ©.

#### Montaje

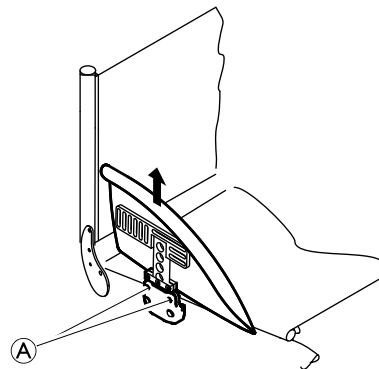
1. Inserte el reposabrazos en el soporte.

### Ajuste de la altura

1. Afloje el tornillo ① de la placa de sujeción ②.
2. Mueva el reposabrazos hacia arriba o hacia abajo hasta que llegue a la altura que desee.
3. Apriete el tornillo ①.
4. Realice el ajuste en ambos lados.

### 3.6 Guardabarros

Para evitar que la suciedad adherida a las ruedas se disperse en sentido ascendente, es posible montar un guardabarros. La posición del guardabarros se puede ajustar. Este ajuste debe realizarlo un representante autorizado.



#### Retirada

1. Tire del guardabarros hacia arriba hasta extraerlo del soporte.
2. Para ajustar la facilidad o dificultad de extracción del guardabarros de su soporte, apriete o afloje los tornillos ①.

#### Montaje

1. Inserte el guardabarros en el soporte.



### 3.7 Protector de ropa

Es posible instalar un protector de ropa. Antes de plegar el respaldo de la silla de ruedas, pliegue primero el protector de ropa hacia dentro contra el respaldo.

### 3.8 Dispositivo antivuelco

El dispositivo antivuelco evita que la silla de ruedas pueda volcar hacia atrás.



#### ¡ADVERTENCIA! Peligro de caída

Un dispositivo antivuelco incorrectamente ajustado o que no funcione pueden provocar caídas.

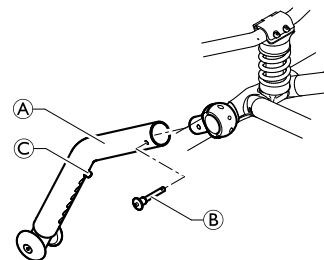
- Compruebe su funcionamiento antes de cada uso y, dado el caso, haga que un distribuidor especializado lo instale o reajuste.



#### ¡ADVERTENCIA! Peligro de caída

Cuando se utilice en terrenos irregulares o inestables, el dispositivo antivuelco podría hundirse en los baches o directamente en el suelo; en estos casos, se reducirá o eliminará su función de seguridad.

- Utilice el dispositivo antivuelco solamente en terrenos llanos y firmes.



#### Activación del dispositivo antivuelco

1. Inserte el dispositivo antivuelco (A) en el anclaje y fíjelo con el pasador (B).



#### ¡ADVERTENCIA! Peligro de vuelco

Al pasar por un escalón o un bordillo, el dispositivo antivuelco activado puede quedar suspendido.

- Desactive siempre el dispositivo antivuelco antes de pasar sobre un escalón o bordillo.

#### Desactivación del dispositivo antivuelco

1. Quite el pasador y desmonte al dispositivo antivuelco.

#### Ajuste de la altura

1. Presione el pasador (C) en el dispositivo antivuelco y empuje la sección interior en la posición deseada. Deje que el pasador para participar en el agujero más cercano.

### 3.9 Neumáticos

La presión idónea de los neumáticos depende del tipo de neumático:

La tabla siguiente es orientativa. Si el neumático es distinto de los de la lista, compruebe el lateral del neumático. Con frecuencia, allí se indica la presión máxima.

Neumático	Presión máx.		
Rueda de paredes ligeras	7 bares	700 kPa	101 psi
Rueda de perfil	7 bares	700 kPa	101 psi
Rueda Schwalbe® Marathon Plus	10 bares	1000 kPa	145 psi
Schwalbe® One	10 bares	1000 kPa	145 psi
Schwalbe® Rightrun, azul	10 bares	1000 kPa	145 psi
Rueda compacta, perfil, gris	-	-	-
Rueda compacta (tipo KIK), negra	-	-	-
Rueda ligera, compacta	-	-	-



La compatibilidad de los neumáticos indicados anteriormente depende de la configuración o del modelo de la silla de ruedas.

### 3.10 Cojín del asiento

Se necesita un cojín adecuado para proporcionar una distribución uniforme de la presión en el asiento.

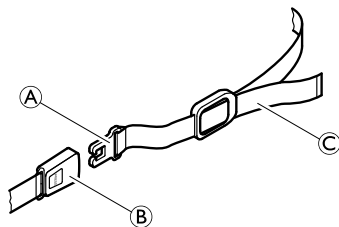


Utilice un cojín del asiento con una base antideslizante o tiras de fijación de Velcro® (gancho) para evitar que el cojín resbale. Una de las cintas de fijación de Velcro® (bucle) se coloca previamente en la funda del asiento.

## 4 ACCESORIOS

### 4.1 Cinturón pélvico

La silla de ruedas se puede ajustar con un cinturón pélvico que evitará que el usuario se deslice hacia delante o caiga de la silla de ruedas.



#### ¡ADVERTENCIA!

#### Riesgo de lesiones graves como consecuencia de estrangulamiento

- Asegúrese de sentarse con la espalda completamente apoyada en el asiento y con la pelvis en una posición lo más vertical y simétricamente posible; no se recline hacia un lado ni se incline hacia atrás.
- Coloque el cinturón de seguridad de forma que los huesos de la cadera queden por encima del cinturón.
- Ajuste la longitud con las hebillas de forma que haya suficiente espacio para deslizar una mano entre el cuerpo del usuario y el cinturón. Se recomienda que la hebilla se mantenga en una posición central; es decir, realice ajustes en cada lado.
- Asegúrese de que el cinturón no resbale y de que la hebilla no se deshaga. Si es necesario, vuelva a ajustar el cinturón pélvico, ® distribuidor autorizado.
- Se recomienda comprobar y cambiar estos ajustes cada vez que se utilice el cinturón.

#### Apertura del cinturón pélvico

1. Presione el botón PRESS y retire la pieza de cierre A de la hebilla B. El cinturón pélvico se abre.

#### Cierre del cinturón pélvico

1. Inserte la pieza de cierre A en la hebilla B.
2. Apriete el cinturón C hasta estar sentado de forma segura en su silla de ruedas.

## 4.2 Bomba de inflar

La bomba de inflar se suministra con un racor de válvula universal.

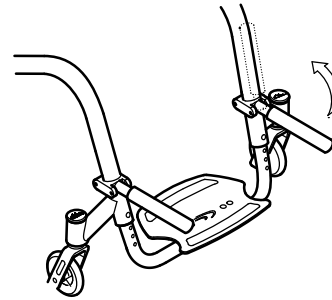
1. Levante la tapa antipolvo del racor de válvula.
2. Presione el racor en la válvula abierta de la rueda e ínflala con la bomba.

## 4.3 Iluminación pasiva

Puede fijar reflectores a las ruedas traseras.

## 4.4 Portaequipajes

La silla de ruedas puede equiparse con un portaequipajes. Cuando no se utiliza, el portaequipajes puede plegarse.



### ¡ADVERTENCIA!

#### Peligro de caída

La colocación de peso sobre el portaequipajes puede cambiar el comportamiento de volcado de la silla de ruedas. Es más posible que la silla de ruedas se vuelque hacia delante cuando el portaequipajes está cargado.

- Utilice el portaequipajes únicamente para el transporte de equipaje pequeño y ligero.
- Evite conducir la silla de ruedas demasiado deprisa cuando transporte equipaje.
- Evite conducir por rampas y pendientes cuando transporte equipaje.
- No se ponga de pie en el portaequipajes.

---

## 5 INSTALACIÓN

---

### 5.1 Indicaciones de seguridad

**¡PRECAUCIÓN!****Riesgo de lesiones**

- Antes de usar la silla de ruedas, compruebe el estado general de la misma y las funciones más importantes,® 8.2 Plan de mantenimiento, página 66.

Su distribuidor especializado se encargará de dejar la silla de ruedas lista para el uso. Éste le explicará las funciones más importantes y garantizará que la silla de ruedas esté adaptada a sus requisitos y necesidades.

## 6 CONDUCCIÓN DE LA SILLA DE RUEDAS

### 6.1 Información sobre seguridad



#### ¡ADVERTENCIA!

##### Riesgo de accidentes

Una presión de los neumáticos no uniforme puede afectar en gran medida al manejo.

- Compruebe la presión de los neumáticos antes de cada trayecto.



#### ¡ADVERTENCIA!

##### Riesgo de caída de la silla de ruedas

Si se utilizan ruedas delanteras demasiado pequeñas, la silla de ruedas podría quedarse atascada en bordillos o en ranuras del suelo.

- Asegúrese de que las ruedas delanteras son las idóneas para la superficie en las que vaya a utilizar la silla de ruedas.



#### ¡PRECAUCIÓN!

##### Riesgo de aplastamiento

Puede haber un hueco muy pequeño entre la rueda trasera y el guardabarros, lo que supone un riesgo de atraparse los dedos.

- Asegúrese de impulsar la silla de ruedas únicamente con los aros de propulsión.



#### ¡PRECAUCIÓN!

##### Riesgo de aplastamiento

Puede haber un hueco muy pequeño entre la rueda trasera y el freno de estacionamiento, lo que supone un riesgo de atraparse los dedos.

- Asegúrese de impulsar la silla de ruedas únicamente con los aros de propulsión.

#### Sistemas antirrobo y de detección de metales

En muy raras ocasiones, los materiales de la silla de ruedas pueden activar sistemas antirrobo y de detección de metales.

## 6.2 Frenado durante la marcha

Frenado durante la marcha mediante transmisión de la fuerza a los aros propulsores con las manos.



### ¡ADVERTENCIA!

#### **Peligro de caída por frenado brusco**

Si acciona los frenos de estacionamiento durante la marcha, no se podrá controlar el sentido de la marcha y la silla de ruedas puede frenar de forma brusca, lo que puede provocar choques o caídas.

- No accione nunca los frenos de estacionamiento durante la marcha.



### ¡ADVERTENCIA!

#### **Riesgo de caída de la silla de ruedas**

Si el asistente desacelera rápidamente la silla de ruedas al tirar de las asas de empuje, es posible que el usuario caiga de la silla de ruedas.

- En caso de que exista un cinturón pélvico, colóquelo siempre.
- Asegúrese de que el asistente haya recibido formación individual en relación con la transferencia de sillas de ruedas ocupadas.



### ¡PRECAUCIÓN!

#### **Riesgo de quemaduras en las manos**

Los aros propulsores (en especial los MaxGrepp y Supergripp) pueden calentarse si frena durante un tiempo prolongado y podría sufrir quemaduras en las palmas de las manos.

- Lleve guantes apropiados.

1. Sujete los aros propulsores y ejerza presión de forma constante con ambas manos hasta que la silla de ruedas se detenga por completo.

## 6.3 Subida y bajada de la silla de ruedas



### ¡ADVERTENCIA!

#### **Peligro de caída**

Al realizar transferencias existe un elevado peligro de caída.

- Suba y baje de la silla de ruedas sin ayuda únicamente si se encuentra en condiciones físicas para hacerlo.



### ¡ADVERTENCIA!

#### **Peligro de caída**

La silla de ruedas puede volcar hacia delante al colocarse de pie sobre el reposapiés.

- No se ponga nunca de pie sobre el reposapiés al subir y bajar.



### ¡PRECAUCIÓN!

Si los frenos se sueltan o se rompen, la silla de ruedas puede desplazarse accidentalmente de forma incontrolada.

- No se apoye nunca en los frenos al subir y bajar.



### ¡IMPORTANTE!

El guardabarros o el reposabrazos pueden romperse.

- No se siente nunca sobre el guardabarros o el reposabrazos al subir y bajar.

1. Accione los frenos de estacionamiento.
2. Ponga los pies en el suelo.
3. Sujétese a la silla de ruedas y, si es necesario, también a un objeto firme de su alrededor.
4. Muévase con lentitud hacia la silla.

## 6.4 Propulsión y conducción de la silla de ruedas

La propulsión y conducción de la silla de ruedas se efectúa mediante los aros propulsores.

Antes de conducir sin acompañante, debe encontrar el punto de basculamiento de su silla de ruedas.



### ¡ADVERTENCIA!

#### Peligro de vuelco

La silla de ruedas puede volcar hacia atrás si no hay ningún dispositivo antivuelco montado. Al buscar el punto de basculamiento debe haber un acompañante justo detrás de la silla de ruedas para cogerla en caso de bascule en exceso.

- Para evitar que vuelque, monte un dispositivo antivuelco.



### ¡ADVERTENCIA!

#### Riesgo de volcado

La silla de ruedas puede volcar hacia delante.

- Durante el montaje de la silla de ruedas, pruebe el comportamiento en cuanto al volcado hacia delante se refiere y realice los ajustes necesarios conforme al estilo de conducción.



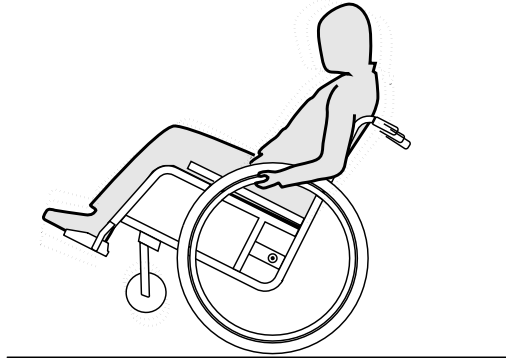
### ¡PRECAUCIÓN!

Las cargas pesadas colgadas en el respaldo pueden influir en el punto de gravedad de la silla de ruedas.

- Adapte su comportamiento de conducción de forma correspondiente.



## Hallar el punto de basculamiento



1. Suelte el freno.
2. Desplácese un poco hacia delante con la silla de ruedas, agarre ambos aros de propulsión y prosiga el desplazamiento con un ligero impulso.
3. Mediante el desplazamiento del peso y el contraviraje en los aros de propulsión averiguará el punto de basculamiento.

## 6.5 Desplazamiento con escalones y descansillos



### ¡ADVERTENCIA!

#### Peligro de caída

Al bajar escalones puede perder el equilibrio y volcar con su silla de ruedas.

- Baje siempre despacio y con cuidado por escalones como bordillos y descansillos.
- No baje nunca por escalones con una altura superior a 25 cm.



### ¡PRECAUCIÓN!

El dispositivo antivuelco impide que la silla de ruedas bascule hacia atrás.

- Desactive el dispositivo antivuelco antes de marchar por escalones o descansillos.

## Con acompañante



## Bajada de un escalón

1. Lleve la silla de ruedas justo hasta el borde y agarre los aros propulsores.
2. El acompañante sujeta las dos empuñaduras, coloca un pie en el dispositivo basculante (si está montado) e inclina la silla de ruedas hacia atrás de manera que las ruedas delanteras se eleven del suelo.
3. El acompañante mantiene la silla de ruedas en esta posición, la desplaza con cuidado hacia abajo del escalón e inclina la silla de ruedas hacia delante hasta que las ruedas delanteras vuelvan a tocar el suelo.

## Subida de un escalón



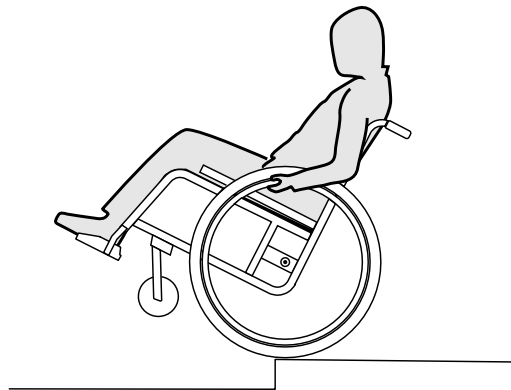
### ¡ADVERTENCIA! Riesgo de lesiones graves

Subir escalones y bordillos puede provocar que los frenos del respaldo de la silla de ruedas fallen antes de lo previsto. El usuario podría caer de la silla de ruedas.

– Utilice siempre un pisapié cuando ascienda escalones o bordillos.

1. Mueva la silla de ruedas marcha atrás hasta que las ruedas traseras queden en el borde.
2. El acompañante inclina la silla de ruedas con las dos empuñaduras hasta que las ruedas delanteras se eleven del suelo y desplaza las ruedas traseras por encima del borde hasta que las ruedas delanteras también se puedan bajar.

## Sin acompañante





**¡ADVERTENCIA!**  
**Peligro de vuelco**

Si baja un escalón sin acompañante, puede bascular hacia atrás en exceso si no domina su silla de ruedas.

- Aprenda primero cómo bajar un escalón con un acompañante.
- Aprenda a balancearse sobre las ruedas traseras, 6.4 Propulsión y conducción de la silla de ruedas, página 56.

**Bajada de un escalón**

1. Lleve la silla de ruedas justo hasta el borde, eleve las ruedas delanteras y mantenga el equilibrio.
2. Ahora, desplace lentamente las ruedas traseras por encima del borde. Al hacerlo, sujete con firmeza los aros propulsores con las manos hasta que las ruedas delanteras vuelvan a tocar el suelo.

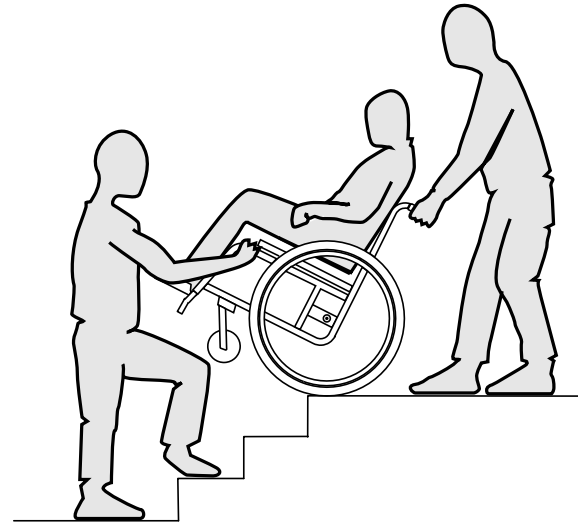
**6.6 Bajar escaleras**



**¡ADVERTENCIA!**  
**Peligro de caída**

Al bajar escaleras puede perder el equilibrio y volcar con su silla de ruedas.

- Baje escaleras de más de un escalón únicamente en compañía de 2 personas.



1. Las escaleras se pueden sortear tomando como se ha descrito anteriormente un escalón tras otro. Para ello, el primer acompañante se sitúa tras la silla de ruedas y la sujeta por las empuñaduras. El segundo acompañante sujeta una parte fija del chasis delantero y de esta forma asegura la silla de ruedas por delante.

## 6.7 Conducción sobre rampas y pendientes



### ¡ADVERTENCIA!

#### Peligro por marcha incontrolada

En pendientes ascendentes o descendentes, su silla de ruedas puede volcar hacia atrás, hacia los lados o hacia delante.

- En pendientes largas, hágalo únicamente con un acompañante tras la silla de ruedas.
- Evite la inclinación lateral.
- Evite las pendientes de más de 7°.
- Evite los cambios de dirección bruscos en pendientes.



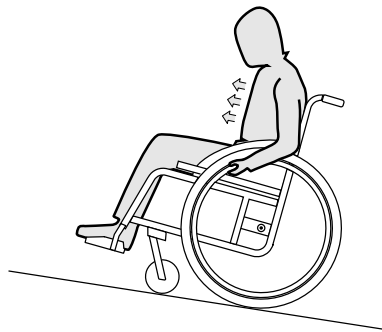
### ¡PRECAUCIÓN!

Su silla de ruedas también puede desplazarse involuntariamente sobre un terreno accidentado si no la controla mediante los aros propulsores.

- Accione los frenos de estacionamiento cuando se detenga sobre un terreno accidentado con su silla de ruedas.

## Sentido ascendente

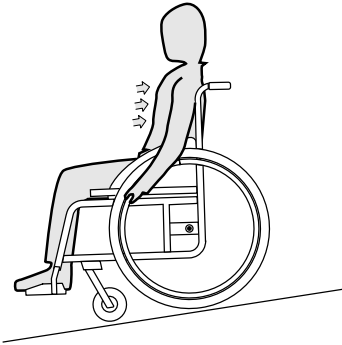
Para conducir en sentido ascendente, debe impulsarse, mantener el impulso y, a la vez, controlar la dirección.



1. Incline el torso hacia delante e impulse la silla de ruedas empujando los dos aros propulsores con rapidez y fuerza.

## Sentido descendente

Al conducir en sentido descendente es importante controlar la dirección y sobre todo la velocidad.



1. Reclíñese y deje que los aros propulsores se deslicen por las manos de forma cuidadosa. Debería poder parar la silla de ruedas en cualquier momento deteniendo los aros propulsores.



### ¡PRECAUCIÓN!

#### Riesgo de quemaduras en las manos

Los aros propulsores (en especial los MaxGrepp y Supergripp) pueden calentarse si frena durante un tiempo prolongado y podría sufrir quemaduras en las palmas de las manos.

- Lleve guantes apropiados.

## 6.8 Estabilidad y equilibrio al estar sentado

Algunas actividades y acciones cotidianas requieren inclinarse hacia fuera de la silla de ruedas, hacia delante, hacia los lados o hacia atrás. Esto tiene una gran influencia en la estabilidad de la silla de ruedas. Para poder mantener el equilibrio en todo momento, tenga en cuenta lo siguiente:

### Inclinación hacia delante



#### ¡ADVERTENCIA!

#### Peligro por vuelco hacia fuera

Si se inclina hacia delante por fuera de la silla de ruedas puede caerse.

- No se incline nunca demasiado hacia delante ni se deslice en su asiento para alcanzar un objeto.
- No se incline hacia abajo entre las rodillas para levantar algo del suelo.



1. Oriente las ruedas delanteras hacia delante. (Para ello, mueva su silla un poco hacia delante y retroceda a continuación.)
2. Fije los dos frenos de estacionamiento.
3. Inclínese hacia delante sólo hasta una posición en la que su torso quede sobre las ruedas delanteras.

### Extensión de los brazos hacia atrás para coger objetos

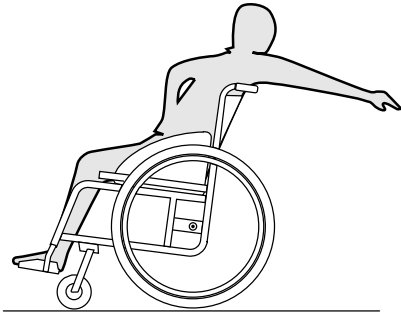


#### ¡ADVERTENCIA!

#### Peligro por vuelco hacia fuera

Si se inclina demasiado hacia atrás, puede volcar junto con la silla de ruedas.

- No se incline más allá del respaldo.
- Utilice un dispositivo antivuelco.



1. Oriente las ruedas delanteras hacia delante. (Para ello, mueva su silla un poco hacia delante y retroceda a continuación.)
2. Accione los frenos de estacionamiento.
3. Extienda el brazo hacia atrás únicamente hasta donde pueda sin cambiar la posición de asiento.

## 7 TRANSPORTE

### 7.1 Indicaciones de seguridad



#### ¡ADVERTENCIA!

#### **Peligro de lesiones por transporte sin seguridad**

Su silla de ruedas no es apropiada para el transporte de personas en vehículos. En caso de accidente, puede sufrir lesiones considerables.

- Durante el transporte, no se sienta en la silla de ruedas, sino en un asiento seguro.



#### ¡ADVERTENCIA!

#### **Peligro de lesiones si la silla de ruedas no se fija de forma adecuada**

En caso de accidente, frenazo, etc., las piezas móviles de la silla de ruedas pueden provocar lesiones graves.

- Quite siempre las ruedas traseras cuando transporte la silla de ruedas.
- Fije con firmeza todos los componentes de la silla de ruedas en los medios de transporte para evitar que se suelten durante el trayecto.



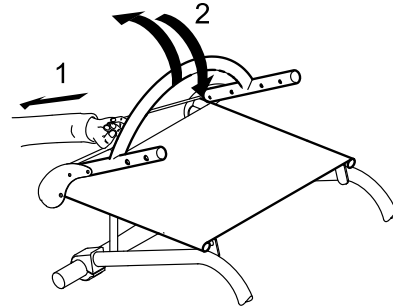
#### ¡IMPORTANTE!

El desgaste excesivo del material podría afectar a la estabilidad de piezas de soporte.

- No mueva su silla de ruedas con las ruedas desmontadas sobre superficies abrasivas (p. ej. arrastre del chasis sobre el asfalto).

### 7.2 Plegado y desplegado de la silla de ruedas

El chasis de la silla de ruedas es rígido. Sin embargo, el respaldo puede abatirse hacia delante y quedar fijado en esa posición.



#### **Plegado de la silla de ruedas**

1. Si está presente, quite el cojín del asiento.
2. Si está presente, pliegue el protector de ropa hacia dentro contra el respaldo, en ambos lados.
3. Tire del cordón situado en la parte posterior del respaldo de la silla de ruedas y pliegue el respaldo hacia delante hasta que encaje.
4. Ahora ya puede levantar la silla de ruedas sujetándola por el soporte del respaldo.

## Despliegado de la silla de ruedas

### ! IMPORTANTE!

- Cuando despliegue la silla de ruedas, no tire del soporte del respaldo si antes no ha liberado el respaldo mediante el cordón.
- Antes de volver a usar la silla de ruedas, compruebe que el respaldo esté totalmente encajado en el chasis.

1. Tire del cordón situado en el respaldo de la silla de ruedas.
2. Tire del respaldo hacia atrás por medio del soporte del respaldo hasta que el tubo del mismo encaje en ambos lados del chasis.
3. Coloque el protector de ropa de nuevo en su posición, en ambos lados.

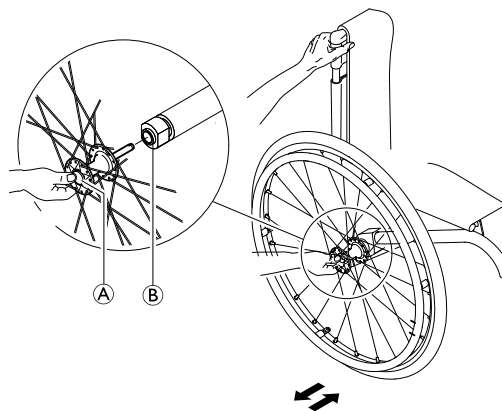
## 7.3 Montaje y desmontaje de las ruedas traseras



### ¡ADVERTENCIA! Peligro de caída

Si el eje de desmontaje de la rueda trasera no está encajado por completo, la rueda se puede soltar durante la marcha, lo que puede provocar una caída.

- Tras cada montaje de las ruedas, asegúrese de que los ejes de desmontaje están completamente encajados.




### Retirada de las ruedas traseras

1. Suelte los frenos.
2. Mantenga la silla de ruedas en posición vertical con una mano.
3. Con la otra mano, sujete la rueda por los radios de alrededor del cubo.
4. Presione con el pulgar el botón del eje de desmontaje (A). Manténgalo presionado y saque la rueda del manguito adaptador (B).

### Colocación de las ruedas traseras

1. Suelte los frenos.
2. Mantenga la silla de ruedas en posición vertical con una mano.
3. Con la otra mano, sujete la rueda por los radios de alrededor del cubo.
4. Mantenga presionado con el pulgar el botón del eje de desmontaje (A).



5. Introduzca ahora el eje en el manguito adaptador  hasta el tope.
6. Suelte el botón de eje de desmontaje y asegúrese de que la rueda queda fijada.

## 8 MANTENIMIENTO

### 8.1 Indicaciones de seguridad



#### ¡ADVERTENCIA!

Algunos materiales experimentan un envejecimiento natural. Esto puede provocar daños en piezas de la silla de ruedas.

– Tras tiempos de parada prolongados y, en cualquier caso, al menos una vez al año, la silla de ruedas debe ser revisada por un distribuidor especializado.



Su distribuidor especializado de *küschall*® le proporcionará ayuda para llevar a cabo las tareas de mantenimiento regulares. Para encontrar un distribuidor especializado cerca de su domicilio, diríjase a la representación de *küschall*® de su país (al final de este documento).

### 8.2 Plan de mantenimiento

Para garantizar la seguridad y fiabilidad necesarias, realice regularmente las siguientes tareas de mantenimiento o encomiéndelas a otra persona.

	Semanal	Mensual	Anual
Comprobación de la presión del aire de los neumáticos	x		
Comprobación de la posición correcta de las ruedas traseras	x		

	Semanal	Mensual	Anual
Comprobación del cinturón pélvico	x		
Control visual		x	
Limpieza de las ruedas delanteras		x	
Comprobación de las conexiones roscadas		x	
Comprobación de los radios		x	
Revisión de los frenos de estacionamiento		x	
Revisión de la silla de ruedas por un distribuidor especializado			x

### Comprobación de la presión del aire de los neumáticos

1. Mida la presión de los neumáticos, @ 3.9 Neumáticos, página 50.
2. Infle los neumáticos con la presión requerida.
3. Compruebe también el perfil de los neumáticos.
4. Si es necesario, cambie los neumáticos.

## Comprobación de la posición correcta de las ruedas traseras

1. Tire de la rueda trasera para comprobar la posición del eje de desmontaje rápido. La rueda no debe poder quitarse.
2. Si las ruedas traseras no encajan correctamente, retire la posible suciedad o los residuos incrustados. Si el problema persiste, solicite a un distribuidor especializado que vuelva a ajustar los ejes de desmontaje rápido.

## Comprobación del cinturón

1. Compruebe que el cinturón pélvico esté ajustado de manera idónea.



### ¡ADVERTENCIA!

- Un representante autorizado debe ajustar los cinturones pélvicos sueltos.
- Un representante autorizado debe cambiar los cinturones pélvicos estropeados.

## Control visual

1. Inspeccione su silla de ruedas para detectar piezas flojas, grietas u otros defectos.
2. Si algo le llama la atención, solicite una revisión exhaustiva a un distribuidor especializado.

## Limpieza de las ruedas delanteras

1. Compruebe si las ruedas delanteras pueden girar libremente.
2. Elimine la suciedad y los pelos los cojinetes de las ruedas delanteras.

## Comprobación de las conexiones roscadas

Los tornillos se pueden aflojar por el uso continuo.

1. Compruebe si los tornillos están bien sujetos (el reposapiés, la funda del asiento, las piezas laterales, respaldo, chasis, módulo del asiento).
2. Ajuste todos los pernos sueltos con el par adecuado. Por lo tanto, consulte el manual de mantenimiento kÜschall R33, disponible en Internet en [www.kueschall.com](http://www.kueschall.com).



### ¡IMPORTANTE!

Las tuercas y tornillos de seguridad pierden su efecto al aflojarlas y apretarlas repetidamente.  
– La sustitución de las tuercas y tornillos de seguridad debe realizarse por un distribuidor especializado.

## Comprobación del esfuerzo de tracción de los radios

Los radios no deben estar aflojados ni deformados.

1. Solicite a un distribuidor especializado que apriete los radios aflojados.
2. Solicite a un distribuidor especializado que sustituya los radios rotos.

## Comprobación de los frenos de estacionamiento

1. Compruebe que los frenos de estacionamiento estén bien colocados. El freno está bien ajustado si, cuando el freno está accionado, la zapata del freno penetra algunos milímetros en los neumáticos.
2. Si determina que esto no se cumple, solicite a un distribuidor especializado que ajuste los frenos.



### ¡IMPORTANTE!

Tras la sustitución o un cambio de posición de las ruedas traseras, los frenos de estacionamiento se deben ajustar de nuevo.

## Comprobaciones tras una colisión o golpe fuertes

### ! IMPORTANTE!

Como consecuencia de una colisión violenta o un golpe fuerte, pueden producirse daños imperceptibles en la silla de ruedas.

– Después de una colisión violenta o un golpe fuerte es imprescindible que la silla de ruedas sea inspeccionada por un representante autorizado.

1. Retire la rueda trasera y deje salir el aire restante de la cámara.
2. Eleve el flanco del neumático de la llanta. Utilice para ello un levantaneumáticos para bicicletas y no emplee objetos puntiagudos como destornilladores para no dañar la cámara de aire.
3. Retire la cámara de aire del neumático.
4. Repare la cámara de aire con parches para bicicleta o, si es necesario, sustituya la cámara de aire.
5. Infle un poco la cámara de aire hasta que adquiera una forma redonda.
6. Inserte la válvula en el orificio de válvula de la llanta y coloque la cámara de aire en los neumáticos (la cámara no debe presentar dobleces en ninguna zona).
7. Eleve el flanco del neumático por la llanta. Comience por la zona de la válvula utilizando un levantaneumáticos para bicicletas. Al hacerlo, compruebe que la cámara de aire no queda atrapada entre el neumático y la llanta por ninguna zona.
8. Infle el neumático hasta la presión de servicio máxima. Asegúrese de que, efectivamente, el neumático no sigue perdiendo aire.

## Piezas de repuesto



Puede adquirir todas las piezas de repuesto por medio de un distribuidor especializado de küschall®. Encontrará una lista actualizada de las piezas de repuesto disponibles en la dirección de Internet [www.kueschall.com](http://www.kueschall.com).

### 8.3 Cuidado

Su silla de ruedas le dará un buen servicio durante años si realiza los cuidados necesarios con regularidad.

#### ! IMPORTANTE!

La arena y el agua del mar pueden dañar los rodamientos de bolas y las piezas de acero pueden oxidarse si la superficie está deteriorada.

– Exponga la silla de ruedas a la arena y el agua del mar sólo por poco tiempo y límpiela cada vez que vuelva de la playa.

#### ! IMPORTANTE!

– No frote con agentes abrasivos, no utilice agentes de limpieza agresivos ni limpiadores a alta presión.

1. Limpie los acolchados y las piezas metálicas con un paño suave húmedo.
2. Frote cuidadosamente la silla de ruedas para secarla tras conducirla con lluvia o después de ducharse.
3. Si la silla de ruedas está sucia, limpie la suciedad lo antes posible con un paño humedecido y a continuación frote con cuidado la silla de ruedas para secarla.

## 8.4 Desinfección

La desinfección por pulverización o frotamiento está admitida si se utilizan desinfectantes probados y homologados.



Encontrará una lista de los desinfectantes admitidos en el Instituto Robert Koch, en la dirección [www.rki.de](http://www.rki.de).

## 9 SOLUCIÓN DE PROBLEMAS

### 9.1 Indicaciones de seguridad

El uso diario, la realización de nuevos ajustes y las modificaciones en las exigencias de la silla de ruedas pueden provocar averías. La siguiente tabla muestra cómo se pueden detectar y solucionar las averías.



#### ¡PRECAUCIÓN!

- Si detecta averías en su silla de ruedas, por ejemplo un cambio considerable del comportamiento de conducción, diríjase de inmediato a su distribuidor especializado.



#### ¡IMPORTANTE!

- Algunas de las medidas indicadas debe ser realizadas por un distribuidor especializado autorizado. Éstas están correspondientemente identificadas. Le recomendamos encomendar la realización de *todos* los ajustes a un distribuidor especializado.

## 9.2 Detección y reparación de averías

Avería	Posible causa	Medida
La silla de ruedas no marcha en línea recta	Presión del neumático incorrecta en una rueda trasera	Corregir la presión de los neumáticos, ® 3.9 Neumáticos, página 50
	Uno o más radios rotos	Sustituir los radios defectuosos, ® Distribuidor especializado
	Radios apretados de forma desigual	Apretar los radios demasiado aflojados, ® Distribuidor especializado
	Cojinetes de ruedas delantera sucios o dañados	Limpiar o sustituir los cojinetes, ® Distribuidor especializado
La silla de ruedas bascula demasiado poco hacia atrás	Las ruedas traseras están montadas demasiado adelantadas	Montar las ruedas traseras más atrasadas, ® Distribuidor especializado
	Ángulo del respaldo demasiado grande	Reducir el ángulo del respaldo, ® Distribuidor especializado
Los frenos no engranan bien o lo hacen de forma asimétrica	Presión del neumático incorrecta en una o en ambas ruedas traseras	Corregir la presión de los neumáticos, ® 3.9 Neumáticos, página 50
	Ajuste de los frenos incorrecto	Corregir el ajuste de los frenos, ® Distribuidor especializado
La resistencia de la rueda es demasiado grande	Presión de los neumáticos demasiado escasa en las ruedas traseras	Corregir la presión de los neumáticos, ® 3.9 Neumáticos, página 50
	Las ruedas traseras no están paralelas	Comprobar que las ruedas traseras están paralelas, ® Distribuidor especializado

<b>Avería</b>	<b>Posible causa</b>	<b>Medida</b>
Las ruedas delanteras tiemblan durante la marcha rápida	Tensión demasiado escasa en el bloque de cojinetes de la rueda delantera	Apretar ligeramente las tuercas del eje del bloque de cojinetes, ® Distribuidor especializado
	La rueda delantera está desgastada	Cambiar la rueda delantera, ® Distribuidor especializado
La rueda delantera marcha con dificultades o está bloqueada	Los cojinetes de bolas están sucios o son defectuosos	Limpiar o sustituir los cojinetes de bolas, ® Distribuidor especializado



## 10 DESPUÉS DEL USO

### 10.1 Almacenamiento



#### ¡IMPORTANTE!

Riesgo de dañar el producto

- No guarde el producto cerca de fuentes de calor.
- No almacene nunca otros artículos sobre la silla de ruedas.
- Guarde la silla de ruedas dentro, en un entorno seco.
- Consulte la sección 11.2 Condiciones ambientales, página 75.

Si la silla de ruedas permanece guardada durante mucho tiempo (más de cuatro meses) debe inspeccionarse como se indica en la sección 8 Mantenimiento, página 66.

### 10.2 Reutilización

La silla de ruedas es adecuada para la reutilización. Deben llevarse a cabo las siguientes medidas:

- Limpieza y desinfección según el capítulo 8.3 Cuidado, página 68 y 8.4 Desinfección, página 69 de estas instrucciones.
- Inspección según el capítulo 8.2 Plan de mantenimiento, página 66 de estas instrucciones.
- Adaptación al usuario según la documentación de servicio (que puede adquirir en la representación de *küschall®* de su país, ® al final de este documento).

### 10.3 Eliminación de desechos

Cuide su medioambiente y procure la correcta eliminación de su silla de ruedas. Para la eliminación de desechos se aplican las disposiciones legales nacionales y locales.

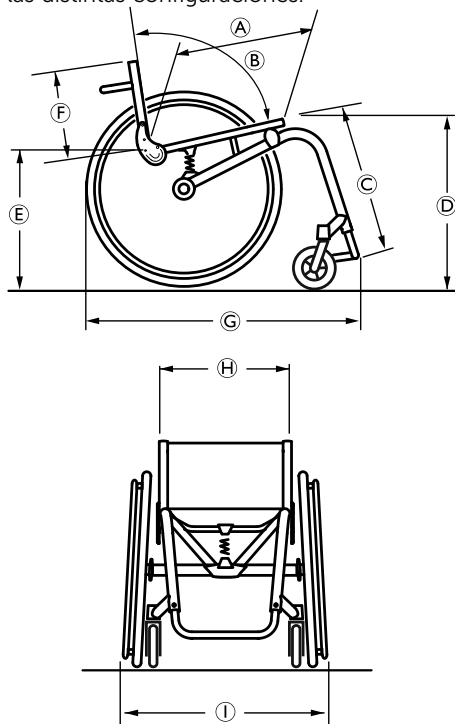


Para eliminar desechos correctamente, dirijase a su distribuidor especializado o pregunte por una empresa de eliminación de desechos local en la administración de su municipio o ciudad.

## 11 DATOS TÉCNICOS

### 11.1 Dimensiones y peso

Todas las dimensiones y especificaciones de peso se refieren a una anchura del asiento de 400 mm, a una profundidad del asiento de 400 mm y a la configuración más ligera de la silla de ruedas. La dimensión y el peso pueden cambiar en función de las distintas configuraciones.



Ⓐ	Profundidad del asiento	375 – 450 mm, en incrementos de 25 mm
Ⓑ	Ángulo de respaldo	74°/78°/82°/86°/90°
Ⓒ	Longitud de pierna	300 – 480 mm, en incrementos de 10 mm
Ⓓ	Altura de asiento delantera	460 – 510 mm, en incrementos de 10 mm
Ⓔ	Altura de asiento trasera	430 – 480 mm, en incrementos de 10 mm
Ⓕ	Altura de respaldo	270 – 465 mm, en incrementos de 15 mm
Ⓖ	Longitud total	75°: aprox. 830 mm 90°: aprox. 760 mm
Ⓗ	Anchura de asiento	340 – 440 mm, en incrementos de 20 mm
Ⓘ	Anchura total	Anchura de asiento + 170 mm
	Peso	aprox. 9,4 kg
	Peso sin ruedas traseras	aprox. 6,8 kg
	Peso máximo del usuario	100 kg
	Espacio para girar	920 – 1230 mm
	Centro de gravedad	39 – 154 mm, en incrementos de 23 mm
	Pendiente máxima	7°

## 11.2 Condiciones ambientales

No exponga la silla de ruedas a temperaturas inferiores a -20 °C o superiores a 40 °C.

## 11.3 Materiales

Los componentes utilizados para fabricar las sillas de ruedas de küschall® se componen de los siguientes materiales:

Tubos del chasis/tubos del respaldo	Aluminio/titanio <sup>1)</sup> /carbono <sup>1)</sup>
Funda del asiento/funda del respaldo	PA/PE/PVC
Empuñadura	Acero/aluminio/PVC
Protector de ropa/guardabarros	Plástico o carbono <sup>1)</sup>
Piezas de apoyo/accesorios	Acero/aluminio/titanio <sup>1)</sup>
Tuercas y tornillos	Acero
Ruedas giratorias	Aluminio

<sup>1)</sup> Las opciones de carbono y/o titanio no están disponibles para todos los modelos de sillas de ruedas de küschall®.

Notes

# ÍNDICE

Este manual TEM de ser fornecido ao utilizador do produto.  
ANTES de utilizar este produto, leia este manual e guarde-o para futuras consultas.

<b>1 Geral</b>	<b>79</b>
1.1	Informações sobre o Manual de Utilização . . . . . 79
1.2	Símbolos utilizados neste manual de utilização. . . . . 79
1.3	Garantia . . . . . 80
1.4	Normas e regulamentos . . . . . 80
1.5	Utilização conforme as disposições. . . . . 80
1.6	Vida útil. . . . . 80
1.7	Protecção de direitos de autor . . . . . 80
<b>2 Segurança</b>	<b>81</b>
2.1	Informações de segurança . . . . . 81
2.2	Dispositivos de segurança . . . . . 82
2.3	Etiquetas e símbolos no produto. . . . . 82
<b>3 Montagem e funcionamento</b>	<b>84</b>
3.1	Descrição geral . . . . . 84
3.2	Travões de estacionamento . . . . . 85
3.3	Encosto. . . . . 86
3.4	Punhos . . . . . 87
3.5	Apoio lateral de altura infinitamente ajustável, sem bloqueio . . . . . 88
3.6	Guarda-lama . . . . . 88
3.7	Guarda lateral . . . . . 89
3.8	Roda anti-volteio. . . . . 89
3.9	Pneus . . . . . 90
3.10	Almofada do assento. . . . . 90
<b>4 Acessórios</b>	<b>91</b>
4.1	Cinto pélvico. . . . . 91

4.2	Bomba de ar . . . . . 92
4.3	Reflectores . . . . . 92
4.4	Porta-bagagens. . . . . 92
<b>5 Configuração</b>	<b>93</b>
5.1	Instruções de segurança . . . . . 93
<b>6 Utilizar a cadeira</b>	<b>94</b>
6.1	Informações de segurança . . . . . 94
6.2	Travar durante a condução . . . . . 95
6.3	Sentar-se e levantar-se da cadeira de rodas. . . . . 95
6.4	Conduzir a cadeira de rodas . . . . . 96
6.5	Passar sobre degraus e bordas do passeio. . . . . 97
6.6	Passar sobre escadas. . . . . 99
6.7	Conduzir sobre rampas e subidas . . . . . 100
6.8	Estabilidade e equilíbrio enquanto está sentado. . . . . 101
<b>7 Transporte</b>	<b>103</b>
7.1	Instruções de segurança . . . . . 103
7.2	Encarte e abertura da cadeira de rodas . . . . . 103
7.3	Remoção e encaixe das rodas traseiras . . . . . 104
<b>8 Manutenção</b>	<b>106</b>
8.1	Instruções de segurança . . . . . 106
8.2	Plano de manutenção . . . . . 106
8.3	Conservação . . . . . 108
8.4	Desinfecção . . . . . 108
<b>9 Resolução de problemas</b>	<b>109</b>
9.1	Instruções de segurança . . . . . 109
9.2	Identificar e resolver problemas. . . . . 110
<b>10 Após a utilização</b>	<b>112</b>
10.1	Armazenamento . . . . . 112
10.2	Voltar a utilizar. . . . . 112
10.3	Eliminar como resíduo. . . . . 112

<b>11</b>	<b>Características técnicas</b>	<b>113</b>
11.1	Medidas e peso	113
11.2	Condições ambientais	114
11.3	Materiais	114

## 1 GERAL

### 1.1 Informações sobre o Manual de Utilização

Obrigado por ter escolhido uma cadeira de rodas Kuschall®.

Este Manual de Utilização contém informações importantes acerca da utilização da cadeira de rodas. De forma a garantir a segurança durante a utilização da cadeira de rodas, leia atentamente o Manual de Utilização e siga as informações de segurança.

Se tiver limitações ao nível da visão, pode consultar o manual de utilização na forma de um ficheiro PDF na Internet em [www.kuschall.com](http://www.kuschall.com) e ampliá-lo no ecrã à medida das suas necessidades. Se não conseguir ampliar os textos e os gráficos de forma suficiente, contacte o distribuidor da Kuschall® no seu país;

® os respectivos endereços encontram-se no verso deste documento. Se necessário, podemos facultar um ficheiro PDF de alta resolução do manual de utilização. Além disso, pode escutar uma leitura do ficheiro PDF através de programas adequados utilizando as funções de idioma especiais do seu computador (por exemplo, no Adobe® Reader® X: Shift+Ctrl+Y).



O equipamento da sua cadeira de rodas pode apresentar diferenças das descrições e diagramas aqui apresentadas devido à vasta gama de modelos disponíveis.

Para obter as informações de produto importantes mais recentes, consulte o nosso site em [www.kuschall.com](http://www.kuschall.com), o seu fornecedor especializado local ou contacte a Invacare® no seu país (para obter endereços, consulte a contracapa deste manual).

### 1.2 Símbolos utilizados neste manual de utilização

Neste manual de instruções, os avisos são assinalados por símbolos. As informações são introduzidas por palavras-chave, que demonstram a dimensão do perigo.



#### ADVERTÊNCIA

Indica uma situação possível de perigo, que poderá levar a ferimentos graves ou à morte, caso não seja evitada.



#### ATENÇÃO

Indica uma situação possível de perigo, que poderá levar a ferimentos ligeiros ou mínimos, caso não seja evitada.



#### IMPORTANTE

Indica uma situação possível de perigo, que poderá levar a danos materiais, caso não seja evitada.



Destaca sugestões e recomendações, bem como informações para uma utilização eficiente e sem problemas.



Este produto está em conformidade com a directiva 93/42/CEE do conselho relativa aos dispositivos médicos. A data de lançamento deste produto é indicada na declaração CE de conformidade.



Fabricante

### 1.3 Garantia

A KÜschall AG garante a ausência de danos e a boa funcionalidade das suas cadeiras de rodas. A garantia abrange todos os erros e defeitos que comprovadamente decorram na sequência de uma construção incorrecta, de materiais de fraca qualidade ou de uma execução inadequada. O direito à garantia da KÜschall AG só pode ser reclamado pelo distribuidor e não pelo utilizador da cadeira de rodas.

A garantia não abrange o desgaste considerado normal, as consequências de um manuseamento inadequado ou de danos, de manutenção insuficiente e de montagem ou utilização incorrecta pelo comprador ou terceiros, bem como falhas relacionadas com circunstâncias externas. As peças de desgaste estão excluídas da garantia. A obrigação de garantia deixa de existir quando forem executadas na cadeira de rodas modificações não previstas e não executadas pelo técnico especializado ou na utilização de peças de substituição inadequadas. A garantia da KÜschall AG não abrange despesas decorrentes da eliminação de falhas como despesas de envio e transporte, salários e outras.

O prazo da garantia é de 24 meses. Para o chassis, o prazo da garantia é de 5 anos.

Além disso, os termos e condições fazem parte dos termos e condições gerais específicos de cada país em que o produto é vendido.

### 1.4 Normas e regulamentos

A qualidade é fundamental para o funcionamento da empresa, estando em conformidade com as normas 9001 e ISO 13485.

A cadeira de rodas foi testada em conformidade com a norma EN 12183. A avaliação incluiu um teste de inflamabilidade.

A KÜschall AG tem empreendido esforços contínuos para reduzir ao mínimo o impacto local e global da empresa no ambiente. Só

utilizamos materiais e componentes que cumpram as directivas REACH e RoHS.

### 1.5 Utilização conforme as disposições

A cadeira de rodas activa é conduzida manualmente e serve apenas para a locomoção, individual ou acompanhada, de uma pessoa com mobilidade reduzida. A cadeira de rodas só pode ser utilizada sem a ajuda de um assistente por pessoas que tenham as capacidades mentais e físicas necessárias para utilizarem com segurança a cadeira de rodas. (p.ex.: deslocar, conduzir e travar). A cadeira só pode ser utilizada em pisos regulares e terrenos praticáveis e em espaços interiores. Esta cadeira de rodas activa deve ser prescrita e ajustada à sua condição de saúde específica.



#### ADVERTÊNCIA!

Qualquer utilização da cadeira que vá além ou seja contrária às disposições de utilização poderá levar a situações perigosas.

### 1.6 Vida útil

A vida útil prevista deste produto é de cinco anos, assumindo que o mesmo é utilizado diariamente e em conformidade com as instruções de segurança, instruções de manutenção e utilização prevista indicados neste manual.

### 1.7 Protecção de direitos de autor

Este manual de instruções está protegido pelos direitos de autor. O manual de instruções não pode ser reimpresso, duplicado nem transmitido a terceiros, em parte ou no seu todo, sem o consentimento prévio por escrito do fabricante.



## 2 SEGURANÇA

### 2.1 Informações de segurança

Esta secção contém informações de segurança importantes para a protecção do utilizador e assistente da cadeira de rodas, assim como para a utilização correcta e sem problemas da cadeira de rodas.



#### **ADVERTÊNCIA!**

##### **Risco de acidentes e lesões graves**

Podem ocorrer acidentes resultantes em lesões graves se a cadeira de rodas for ajustada incorrectamente.

- Os ajustes feitos à cadeira de rodas devem ser sempre realizados por um fornecedor especializado.



#### **ADVERTÊNCIA!**

##### **Risco resultante de um estilo de condução inadequado para as condições**

Existe o risco de derrapagem em piso molhado, gravilha ou terreno irregular.

- Adapte sempre a velocidade e o estilo de condução às condições (tempo, superfície, capacidade individual, etc.).



#### **ADVERTÊNCIA!**

##### **Risco de lesão**

Em caso de colisão, pode sofrer lesões em partes do seu corpo que não estejam abrangidas pela cadeira de rodas (por exemplo, pés ou mãos).

- Evite uma colisão sem travagem.
- Conduza de modo a nunca chocar de frente com um objecto.
- Conduza cuidadosamente por passagens estreitas.



#### **ADVERTÊNCIA!**

##### **Risco devido ao descontrolo da cadeira de rodas**

A alta velocidade, pode perder o controlo da cadeira de rodas e virar a mesma.

- Nunca exceda a velocidade de 7 km/h.
- Evite colisões em geral.



#### **ATENÇÃO!**

##### **Risco de queimadura**

Os componentes da cadeira de rodas podem aquecer quando expostos a fontes externas de calor.

- Não exponha a cadeira de rodas a luz solar forte antes da utilização.
- Antes da utilização, verifique a temperatura de todos os componentes que entrem em contacto com a sua pele.



### ATENÇÃO!

#### Risco de prender os dedos

Existe sempre o risco de prender os dedos ou braços nas partes móveis da cadeira de rodas.

- Quando activar os mecanismos de dobragem ou de inserção das partes móveis (p. ex., o eixo removível da roda traseira, o encosto dobrável ou o dispositivo anti-queda), certifique-se de que não prende alguma parte do corpo ou objecto.

## 2.2 Dispositivos de segurança



### ADVERTÊNCIA!

#### Risco de acidente

Dispositivos de segurança mal configurados ou avariados (travões, roda anti-volteio) podem levar a acidentes.

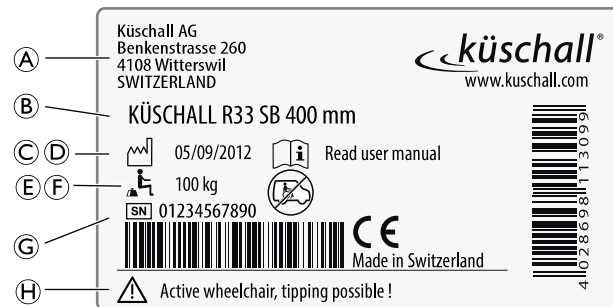
- Antes de cada utilização da cadeira de rodas verifique o bom funcionamento dos dispositivos de segurança e leve-a com regularidade a um técnico especializado para ser controlada.

As funções dos dispositivos de segurança estão descritas no Capítulo 3 Montagem e funcionamento, página 84.

## 2.3 Etiquetas e símbolos no produto

### Placa de características

A placa de características encontra-se no chassis da cadeira de rodas e indica as seguintes informações:



(A)	Endereço do fabricante
(B)	Descrição do produto
(C)	Data de fabricação
(D)	Nota para ter em conta o manual de instruções
(E)	Peso máximo do utilizador
(F)	Aviso que a cadeira de rodas não é adequada para transportar pessoas em veículos
(G)	Número de série
(H)	Aviso que salienta o facto de se tratar de uma cadeira de rodas activa e que poderá tombar



#### Símbolo de ADVERTÊNCIA:

Esta cadeira de rodas não se destina a ser utilizada como assento num veículo motorizado!

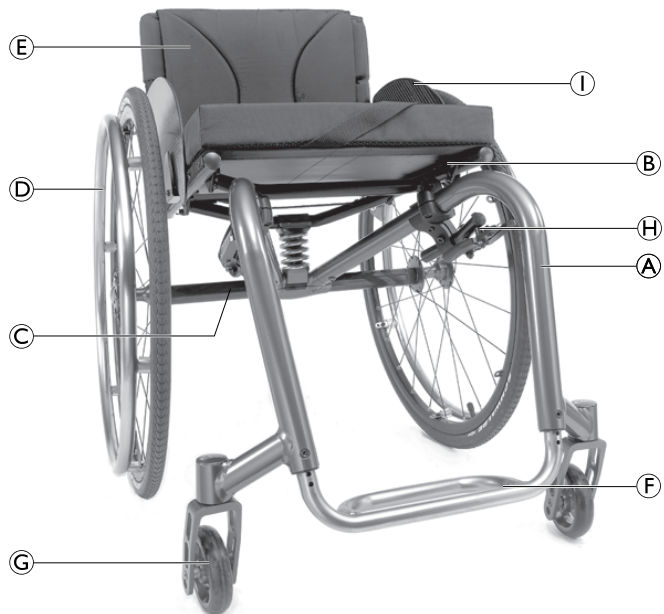
### Etiqueta de advertência do dispositivo anti-queda



Siga as instruções do manual de utilização antes de utilizar o dispositivo anti-queda.

## 3 MONTAGEM E FUNCIONAMENTO

### 3.1 Descrição geral



Ⓐ	Chassis
Ⓑ	Assento
Ⓒ	Tubo do eixo
Ⓓ	Roda traseira com aro motor
Ⓔ	Costas
Ⓕ	Apoio para os pés
Ⓖ	Garfo da roda dianteira com roda dianteira
Ⓗ	Travão de estacionamento
Ⓘ	Resguardo de roupa

#### Breve descrição

A kÜschall R33 é uma cadeira de rodas com chassis rígido e um apoio de costas dobrável.



O equipamento real da sua cadeira pode variar da representação, uma vez que cada cadeira de rodas é fabricada de acordo com as indicações da encomenda.

## 3.2 Travões de estacionamento

Os travões de estacionamento servem para fixar a cadeira de rodas e evitar que esta deslize.



### ADVERTÊNCIA!

#### Risco de queda por travagem abrupta

Se accionar os travões de estacionamento durante a condução, a direcção de condução fica incontrolável e a cadeira de rodas pode parar abruptamente, o que poderá levar a colisões ou quedas.

- Não accione os travões de estacionamento durante a condução.



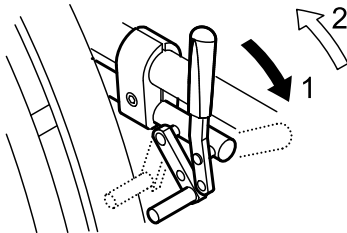
### ADVERTÊNCIA!

#### Risco de queda

O funcionamento dos travões de estacionamento é apenas garantido quando os pneus têm ar suficiente.

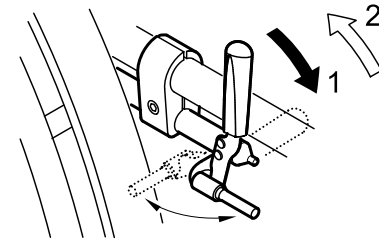
- Verifique a pressão dos pneus, 3.9 Pneus, página 90.

### Travão de pressão Standard



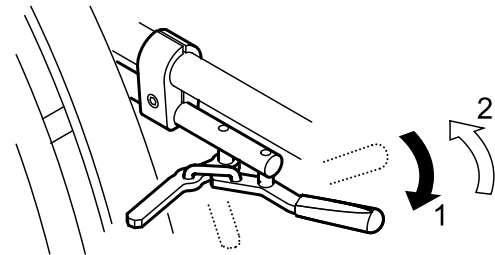
1. Para accionar o travão, empurre a alavanca do travão para a frente até encaixar.
2. Para soltar o travão, puxe a alavanca do travão para trás.

### Travão Performance



1. Para accionar o travão, empurre a alavanca do travão para a frente até encaixar.
2. Para soltar o travão, puxe a alavanca do travão para trás.

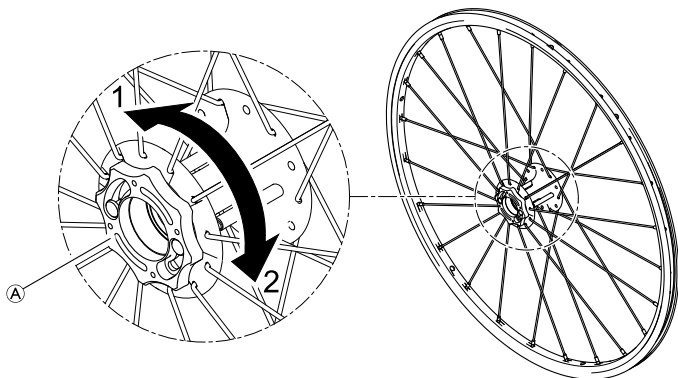
### Travão Activo



1. Para accionar o travão, empurre a alavanca do travão, ao lado ou entre os joelhos, para a frente até encaixar.
2. Para soltar o travão, empurre a alavanca do travão, ao lado ou entre os joelhos, para trás.

## Cubo do travão (opcional)

O cubo do travão é operado pelo anel do travão localizado no lado exterior de cada cubo do travão.



1. Para activar o cubo do travão, coloque o anel do cubo **A** na direcção 1 até parar.
2. Para soltar o cubo do travão, coloque o anel do cubo na direcção 2 até parar.



### ADVERTÊNCIA!

#### Risco de capotagem se travar bruscamente

Se aplicar os travões do cubo enquanto se está deslocar, a direcção dos movimentos pode ficar incontrolável e a cadeira de rodas pode parar subitamente, o que pode resultar numa colisão ou na sua queda.

- Nunca aplique o travão do cubo enquanto se está a deslocar.



### ADVERTÊNCIA!

#### Risco de lesão devido a capotagem da cadeira de rodas

Quando recua, a cadeira de rodas pode capotar devido a um encaixe do pino de travagem do cubo que bloqueia a roda.

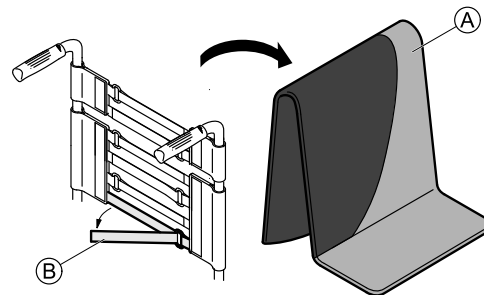
- Contacte o seu fornecedor especializado imediatamente, assim que ouvir um trepidar provocado pelo travão do cubo ao conduzir a sua cadeira de rodas.
- Evite recuar com a cadeira de rodas após ouvir o ruído referido até o travão do cubo ser reparado ou substituído.

## 3.3 Encosto

### Capa do encosto

A tensão do encosto pode ser adaptada às suas necessidades.

### Adaptar capa do encosto



1. Retire a capa do encosto ①.
2. Solte as fitas de Velcro® ② na parte de trás do encosto, puxando-as.
3. Aperte ou alargue as fitas consoante as necessidades e volte a fixá-las.

**ADVERTÊNCIA!****Risco de basculante**

Se não apertar as fitas o suficiente, aumenta a possibilidade de a cadeira se virar.

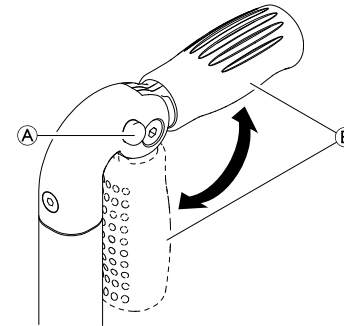
- Certifique-se de que as bandas estão aplicadas correctamente.

### 3.4 Punhos

**IMPORTANTE!**

- Antes de cada utilização, verifique se os punhos estão fixos e se não é possível movê-los ou removê-los.

### Punhos dobráveis (opcional)



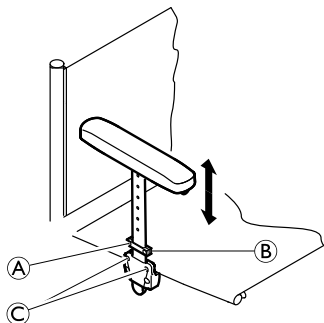
1. Prima totalmente o botão ① e dobre o punho ② respectivamente para cima ou para baixo até ouvir um som de encaixe.

**ATENÇÃO!**

Se não estiver correctamente engatado, o punho pode dobrar-se acidentalmente para baixo ao empurrar a cadeira de rodas.

- Certifique-se de que o punho está correctamente engatado.

### 3.5 Apoio lateral de altura infinitamente ajustável, sem bloqueio



#### ADVERTÊNCIA! Risco de lesão

Os apoios laterais não estão bloqueados e podem ser facilmente puxados para cima.

- Não levante nem transfira a cadeira de rodas utilizando os apoios laterais.
- Não utilize os apoios laterais para transporte ao levar a cadeira de rodas para cima ou para baixo.

#### Remoção

1. Puxe o apoio lateral pela almofada do braço, para fora do suporte.
2. Para ajustar a facilidade ou dificuldade de remoção do apoio lateral do suporte, é possível alterar o grau de aperto dos parafusos ©.

#### Encaixe

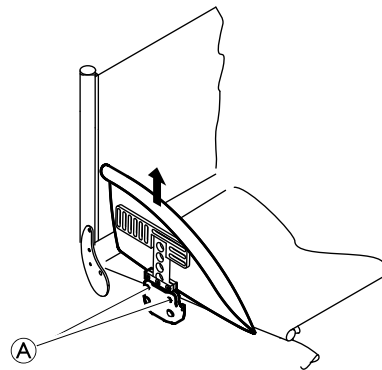
1. Pressione o apoio lateral contra o suporte.

#### Ajuste da altura

1. Desaperte o parafuso (A) da placa de retenção (B).
2. Mova o apoio de braço para cima ou para baixo até atingir a altura pretendida.
3. Aperte o parafuso (A).
4. Aplique a mesma definição em ambos os lados.

### 3.6 Guarda-lama

É possível instalar um guarda-lama removível para oferecer protecção contra a projecção de sujidade das rodas. A posição do guarda-lama pode ser ajustada. O ajuste deve ser efectuado pelo fornecedor especialista.



#### Remoção

1. Puxe o guarda-lama para cima, para fora do suporte.
2. Para ajustar a facilidade de remoção do guarda-lama do suporte, é possível ajustar o aperto dos parafusos (A).



## Encaixe

1. Empurre o guarda-lama contra o suporte.

### 3.7 Guarda lateral

É possível instalar uma guarda lateral para proteger a roupa. Antes de dobrar o apoio de costas da cadeira de rodas, é necessário dobrar a guarda lateral para dentro, contra o apoio de costas.

### 3.8 Roda anti-volteio

Uma roda anti-volteio evita que a cadeira de rodas tombe para trás.



#### **ADVERTÊNCIA!** **Risco de queda**

Uma roda anti-volteio mal configurada ou avariada pode levar a uma queda.

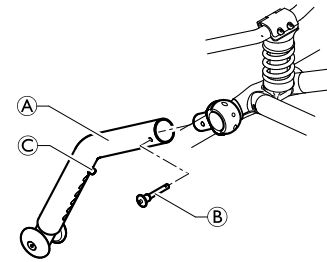
- Antes de cada utilização verifique o bom funcionamento da mesma e, caso seja necessário, solicite a um técnico especializado que a monte.



#### **ADVERTÊNCIA!** **Risco de capotagem**

Se a superfície for irregular ou macia, o mecanismo anti-basculante pode ficar preso em buracos no pavimento ou mesmo no chão, o que mitiga ou elimina a sua função de segurança.

- Utilize o mecanismo anti-basculante somente quando se deslocar numa superfície regular e firme.



#### **Activar roda anti-volteio**

1. Encaixe o antibasculante (A) no suporte e fixe-o no pino de extracção rápida (B)



#### **ADVERTÊNCIA!** **Risco de queda**

Ao passar sobre um degrau ou uma borda, a roda anti-volteio activada poderá ficar presa.

- Desactive a roda anti-volteio sempre que tiver de passar sobre um degrau ou a borda de um passeio.

#### **Desactivar roda anti-volteio**

1. Desencaixe o pino de extracção rápida e remova o antibasculante.

#### **Regulação da altura**

1. Aperte o espigão elástico (C) da roda anti-volteio e empurre a parte interior para a posição desejada. Encaixe o espigão elástico no furo mais perto.

### 3.9 Pneus

A pressão ideal depende do tipo de pneu:

A tabela abaixo serve de orientação. Caso o pneu seja diferente da lista abaixo, verifique o lado do pneu - muitas vezes a pressão máxima é indicada aí.

Pneu	Pressão máx.		
Roda leve	7 bar	700 kPa	101 psi
Pneu de perfil	7 bar	700 kPa	101 psi
Pneu Schwalbe® Marathon Plus	10 bar	1000 kPa	145 psi
Schwalbe® One	10 bar	1000 kPa	145 psi
Schwalbe® Rightrun, azul	10 bar	1000 kPa	145 psi
Pneu sólido, perfil, cinzento	-	-	-
Pneu sólido (tipo KIK), preto	-	-	-
Roda leve, sólida	-	-	-



A compatibilidade dos pneus listados acima depende da configuração e/ou do modelo da sua cadeira de rodas.

### 3.10 Almofada do assento

É necessária uma almofada adequada para proporcionar uma distribuição da pressão uniforme no assento.

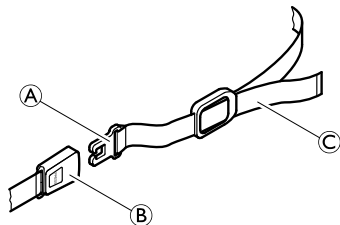


Utilize uma almofada do assento com uma capa antiderrapante ou bandas de fixação Velcro® (gancho) para evitar que a almofada do assento escorregue. A capa do assento está pré-equipada com uma banda de fixação de Velcro® (laço).

## 4 ACESSÓRIOS

### 4.1 Cinto pélvico

A cadeira de rodas pode ser equipada com um cinto pélvico para impedir que o utilizador deslize para a frente ou caia da cadeira de rodas.



#### ADVERTÊNCIA!

##### Risco de lesões graves por estrangulamento

- Certifique-se de que está sentado totalmente até à parte traseira do assento e que a pélvis está tão vertical e simétrica quanto possível – não deslizada para à frente num dos lados, nem reclinada.
- Posicione o cinto do colo de forma a poder sentir os ossos da bacia acima do cinto.
- Ajuste o comprimento com as fivelas para assegurar um espaço suficiente para introduzir as mãos entre o seu corpo e o cinto. Recomendamos que o fecho seja mantido numa posição central, ou seja, efectuando ajustes em cada lado.
- Certifique-se de que não é possível ocorrer deslizamento do cinto, nem abertura do fecho. Repita o ajuste do cinto pélvico se necessário, ® revendedor especialista.
- Verifique e mude, se necessário, estes ajustes sempre que o cinto for usado.

#### Retirar cinto pélvico

1. Prima o botão PRESS e puxe o fecho A da fivela B. O cinto pélvico abre-se.

#### Colocar cinto pélvico

1. Insira o fecho A na fivela B.
2. Aperte a correia do cinto C até estar sentado de forma segura na cadeira de rodas.

## 4.2 Bomba de ar

A bomba de ar vem equipada com uma ligação de válvula universal.

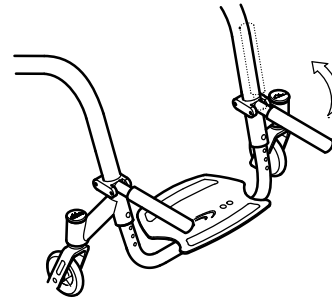
1. Retire a tampa anti-pó da ligação da válvula.
2. Pressione a ligação da válvula sobre a válvula aberta da roda e encha o pneu.

## 4.3 Reflectores

Poderá fixar reflectores nas rodas traseiras.

## 4.4 Porta-bagagens

A cadeira de rodas pode ser equipada com um porta-bagagens. Quando não for utilizado, é possível dobrar o porta-bagagens.



### **ADVERTÊNCIA!**

#### **Risco de basculação**

O peso no porta-bagagens muda o comportamento basculante da cadeira de rodas. A cadeira de rodas pode inclinar-se para a frente mais facilmente quando o porta-bagagens está carregado.

- Utilize o porta-bagagens apenas para transportar bagagem de pequena dimensão e leve.
- Evite conduzir a cadeira de rodas a maiores velocidades enquanto transportar bagagem.
- Evite conduzir sobre rampas e inclinações enquanto transportar bagagem.
- Não se apoie no suporte para bagagem.

---

## 5 CONFIGURAÇÃO

---

### 5.1 Instruções de segurança

**ATENÇÃO!****Risco de ferimentos**

- Antes de começar a utilizar a cadeira de rodas, verifique o seu estado íntegro e as principais funções, 8.2 Plano de manutenção, página 106

O distribuidor prepara a cadeira de rodas para poder começar a utilizá-la. O distribuidor explica-lhe as principais funções e verifica se a cadeira de rodas está conforme as suas indicações e necessidades.

## 6 UTILIZAR A CADEIRA

### 6.1 Informações de segurança

**ADVERTÊNCIA!****Risco de acidentes**

Uma pressão dos pneus irregular pode ter um impacto enorme no manuseamento.

- Verifique a pressão dos pneus antes de cada viagem.

**ADVERTÊNCIA!****Risco de queda para fora da cadeira de rodas**

Ao utilizar rodas dianteiras demasiado pequenas, a cadeira de rodas pode ficar presa em passeios ou em ranhuras do pavimento.

- Certifique-se de que as rodas dianteiras são adequadas para a superfície na qual está a conduzir.

**ATENÇÃO!****Risco de esmagamento**

Pode existir um espaço muito pequeno entre a roda traseira e o guarda-lama, implicando o risco de entalamento dos seus dedos.

- Certifique-se de que impulsiona sempre a cadeira de rodas utilizando apenas os aros de mãos.

**ATENÇÃO!****Risco de esmagamento**

Pode existir um espaço muito pequeno entre a roda traseira e o travão de estacionamento, implicando o risco de entalamento dos seus dedos.

- Certifique-se de que impulsiona sempre a cadeira de rodas utilizando apenas os aros de mãos.

**Sistemas antirroubo e de deteção de metal**

Em casos raros os materiais utilizados na cadeira de rodas podem ativar sistemas antirroubo e de deteção de metal.

## 6.2 Travar durante a condução

Travar durante a condução mediante o uso das mãos nos aros.



### **ADVERTÊNCIA!** **Risco de queda**

Se accionar os travões de estacionamento durante a condução, a direcção de condução fica incontrolável e a cadeira de rodas pode parar abruptamente, o que poderá levar a colisões ou quedas.

- Não accione os travões de estacionamento durante a condução.



### **ADVERTÊNCIA!** **Risco de queda para fora da cadeira de rodas**

Se a cadeira de rodas for travada bruscamente por um assistente ao puxar os punhos para empurrar, o utilizador poderá cair da cadeira de rodas.

- Aplique sempre o cinto pélvico, caso disponível.
- Certifique-se de que o assistente recebeu treino individual sobre a deslocação de cadeiras de rodas ocupadas.



### **ATENÇÃO!** **Risco de queimaduras nas mãos**

Os aros (especialmente os MaxGrepp e os Supergripp) podem aquecer quando trava durante algum tempo.

- Utilize luvas adequadas.

1. Segure os aros e pressione de forma regular, até a cadeira de rodas ficar imobilizada.

## 6.3 Sentar-se e levantar-se da cadeira de rodas



### **ADVERTÊNCIA!** **Risco de queda**

Durante a permuta, o risco de queda é maior.

- Sente-se ou levante-se da cadeira de rodas apenas se estiver fisicamente apto.



### **ADVERTÊNCIA!** **Risco de queda**

A cadeira de rodas pode tombar para a frente se estiver em cima do apoio para os pés.

- Não se ponha em cima do apoio para os pés quando se sentar ou se levantar da cadeira.



### **ATENÇÃO!**

Quando os travões se soltam ou se quebram, a cadeira de rodas pode deslizar de forma descontrolada.

- Não se apoie nos travões quando se sentar ou se levantar da cadeira.



### **IMPORTANTE!**

O guarda-lamas ou o apoio para os braços podem quebrar-se.

- Não se sente em cima do guarda-lamas ou do apoio para os braços quando se sentar ou se levantar da cadeira.

1. Accione os travões de estacionamento.
2. Coloque os pés no chão.

3. Segure-se à cadeira e, se necessário, a um objecto fixo à sua volta.
4. Desloque-se lentamente para a cadeira.

## 6.4 Conduzir a cadeira de rodas

A cadeira de rodas conduz-se através dos aros motores.

Antes de conduzir sem acompanhante, tem de encontrar o ponto de equilíbrio da cadeira de rodas.



### **ADVERTÊNCIA!**

#### **Risco de queda**

A cadeira de rodas pode tombar para trás caso não esteja montada uma roda anti-volteio. Para encontrar o ponto de equilíbrio deve ter um acompanhante atrás da cadeira, para este segurar a cadeira caso esta se vire.

- Para evitar que a cadeira se vire, monte um mecanismo anti-volteio.



### **ADVERTÊNCIA!**

#### **Risco de basculação**

A cadeira de rodas pode inclinar-se para a frente.

- Quando preparar a cadeira de rodas, teste o comportamento basculante e ajuste o estilo de condução em conformidade.



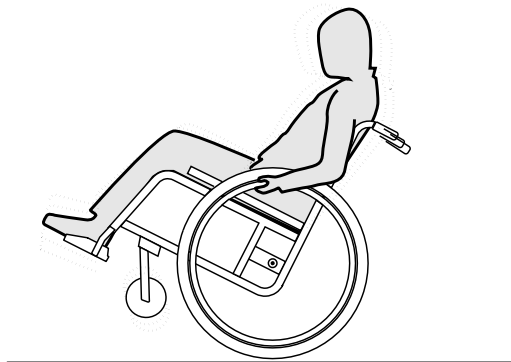
### **ATENÇÃO!**

Se tiver uma carga elevada pendurada no encosto, o centro de gravidade da cadeira poderá ser influenciado.

- Ajuste o seu comportamento de condução a esta situação.



## Encontrar o ponto de equilíbrio



1. Solte o travão.
2. Ande um pouco para a frente, segure bem os dois aros motores e puxe-os com um pouco de balanço.
3. Encontrará o ponto de equilíbrio através do deslocamento do peso, e impulsionando a cadeira em direcção contrária através do aros motores.

## 6.5 Passar sobre degraus e bordas do passeio



### ADVERTÊNCIA!

#### Risco de queda

Ao passar sobre degraus, poderá perder o equilíbrio e tombar com a cadeira de rodas.

- Passe sobre os degraus e as bordas de passeio lentamente e com cuidado.
- Não passe sobre degraus que sejam mais altos do que 25 cm.



### ATENÇÃO!

Uma roda anti-volteio activa evita que a cadeira de rodas possa tombar para trás.

- Desactive a roda anti-volteio sempre que tiver de conduzir sobre um degrau ou a borda de um passeio.

## Com acompanhante



## Descer um degrau

1. Conduza a cadeira de rodas até à borda e agarre-se aos aros motores.
2. O acompanhante segura ambos os punhos, coloca um pé junto da roda anti-volteio (caso montada) e inclina a cadeira de rodas para trás, de forma a levantar as rodas dianteiras do chão.
3. O acompanhante segura a cadeira de rodas nesta posição, empurra-a cuidadosamente para descer o degrau e inclina a cadeira para a frente até as rodas dianteiras tocarem novamente no chão.

## Subir um degrau



### ADVERTÊNCIA!

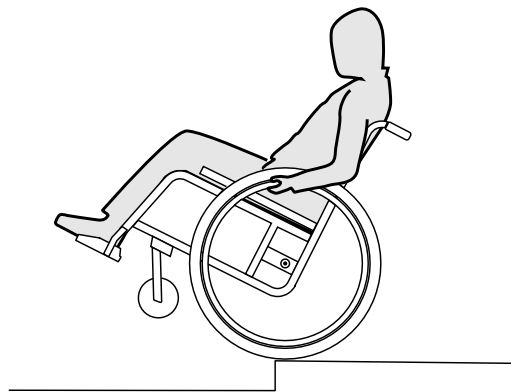
#### Risco de lesões graves

A condução sobre degraus e lancis pode resultar em danos precoces por fadiga no encosto da cadeira de rodas.

– O utilizador pode cair para fora da cadeira de rodas.

1. Conduza a cadeira de rodas de forma a que as rodas traseiras atinjam a borda.
2. Segurando ambos os punhos, o acompanhante inclina a cadeira de rodas de forma a que as rodas dianteiras se ergam do chão e empurra as rodas traseiras sobre a borda até que as rodas dianteiras possam ser colocadas no chão.

## Sem acompanhante



**ADVERTÊNCIA!****Risco de queda**

Quando desce um degrau sem o auxílio de um acompanhante, poderá tombar para trás, caso não domine a cadeira de rodas.

- Aprenda, em primeiro lugar, como descer um degrau com o auxílio de um acompanhante.
- Aprenda a equilibrar-se com as rodas traseiras, 6.4 Conduzir a cadeira de rodas, página 96.

**Descer um degrau**

1. Conduza a cadeira de rodas até à borda, levante as rodas dianteiras e equilibre-se.
2. Agora, com cuidado, passe com ambas as rodas traseiras sobre a borda. Ao fazê-lo, agarre-se bem aos aros motores até as rodas dianteiras tocarem novamente no chão.

**6.6 Passar sobre escadas****ADVERTÊNCIA!****Risco de queda**

Ao passar sobre escadas, poderá perder o equilíbrio e cair com a cadeira de rodas.

- Tente passar sobre escadas sempre com o auxílio de dois acompanhantes.



1. As escadas podem ser ultrapassadas, na medida em que se passa um degrau de cada vez, tal como acima descrito. Para tal, o primeiro acompanhante deve colocar-se atrás da cadeira de rodas e segurá-la pelos punhos. O segundo acompanhante segura numa parte fixa do chassis dianteiro, estando, assim, a cadeira de rodas segura pela frente.

## 6.7 Conduzir sobre rampas e subidas



### ADVERTÊNCIA!

#### Risco causado por condução descontrolada

Em subidas ou descidas, a cadeira de rodas pode tombar para trás, para o lado ou para a frente.

- Tente subir as longas inclinações sempre com o auxílio de um acompanhante atrás da cadeira.
- Evite inclinações laterais.
- Evite as subidas com uma inclinação superior a 7°.
- Em subidas, evite mudar de direcção de repente.



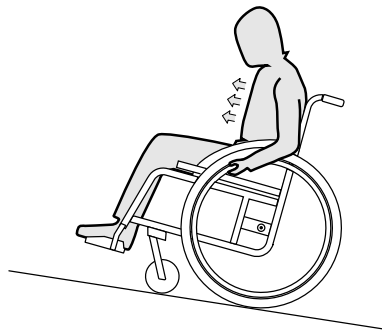
### ATENÇÃO!

Mesmo em descidas não muito acentuadas, A cadeira pode deslizar se não a controlar através dos aros motores.

- Accione o travão de estacionamento quando estiver parado com a cadeira em descidas.

## Subir

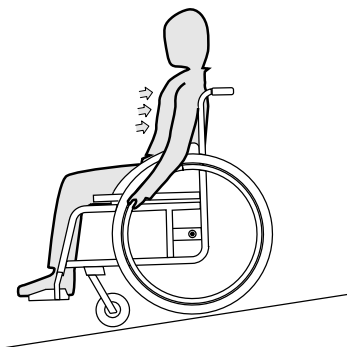
Para conduzir a subir, tem de tomar balanço, manter o balanço e, simultaneamente, controlar a direcção.



1. Incline a parte superior do corpo para a frente e conduza a cadeira com empurrões rápidos e fortes nos aros motores.

## Descer

Ao descer, é importante controlar a direcção e, sobretudo, a velocidade.



1. Encoste-se e deixe os aros motores deslizarem cuidadosamente pelas suas mãos. Deverá sempre conseguir parar a cadeira de rodas ao segurar os aros motores.



### ATENÇÃO!

#### Risco de queimadura

Os aros (especialmente os MaxGrepp e os Supergripp) podem aquecer quando trava durante algum tempo. Poderá queimar as palmas das mãos.

- Utilize luvas adequadas.

## 6.8 Estabilidade e equilíbrio enquanto está sentado

Nalgumas actividades e acções do quotidiano, torna-se necessário debruçar-se da cadeira de rodas, para a frente, para o lado ou para trás. Isto influencia muito a estabilidade da cadeira de rodas. De forma a manter sempre o equilíbrio, tenha em atenção o seguinte:

### Debruçar-se para a frente

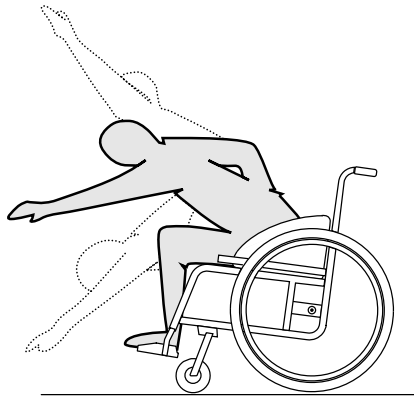


#### ADVERTÊNCIA!

##### Risco de queda

Quando se debruça da cadeira de rodas, poderá cair da mesma.

- Não se incline demasiado para a frente e não deslize para a frente no assento para chegar a um objecto.
- Não se incline entre os joelhos para a frente para apanhar um objecto do chão.



1. Posicione as rodas dianteiras para a frente. (Para tal, ande um pouco com a cadeira de rodas para a frente e depois para trás.)
2. Accione ambos os travões de estacionamento.
3. Debruce-se para a frente apenas até a parte superior do seu corpo ficar sobre as rodas dianteiras.

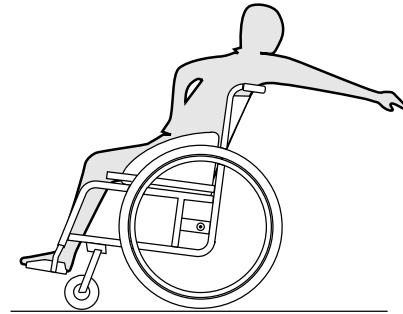
### Estender a mão para trás para alcançar um objecto



#### **ADVERTÊNCIA!** **Risco de queda**

Se se inclinar demasiado para trás, poderá cair com a cadeira.

- Não se debruce para além do encosto da cadeira.
- Utilize um mecanismo anti-volteio.



1. Posicione as rodas dianteiras para a frente. (Para tal, ande um pouco com a cadeira de rodas para a frente e depois para trás.)
2. Não accione os travões de estacionamento.
3. Estenda ao máximo a mão para trás sem alterar a sua posição no assento.

## 7 TRANSPORTE

### 7.1 Instruções de segurança



#### ADVERTÊNCIA!

#### Risco de ferimentos por falta de segurança no transporte

A cadeira de rodas não é adequada para transportar pessoas em veículos. Em caso de acidente, poderá ferir-se gravemente.

- Não se sente na cadeira de rodas durante um transporte. Em alternativa, sente-se num assento devidamente seguro.



#### ADVERTÊNCIA!

#### Risco de lesão se a cadeira de rodas não estiver devidamente fixada

Em caso de acidente, manobra de travagem, etc., o utilizador pode sofrer lesões graves como devido a peças da cadeira de rodas serem disparadas pelo ar.

- Retire sempre as rodas posteriores quando transportar a cadeira de rodas.
- Em caso de deslocação, prenda com firmeza todos os componentes da cadeira de rodas para prevenir que se soltem durante a viagem.



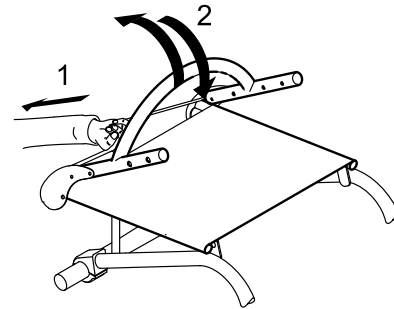
#### IMPORTANTE!

Os materiais muito desgastados podem afectar a consistência de peças de suporte.

- Não movimente a cadeira de rodas com as rodas desmontadas em chão abrasivo (p.ex.: arrastar o chassis pelo asfalto).

### 7.2 Encarte e abertura da cadeira de rodas

A cadeira de rodas tem um chassis rígido. No entanto, o apoio de costas pode ser dobrado para a frente e fixado nessa posição.



#### Encarte da cadeira de rodas

1. Remova a almofada do assento, caso presente.
2. Dobre a guarda lateral, caso presente, para dentro e contra o apoio de costas em ambos os lados.
3. Puxe o cabo na parte de trás da cadeira de rodas e dobre o apoio de costas para a frente até encaixar.
4. A cadeira de rodas poderá então ser levantada utilizando o manípulo do apoio de costas.

## Abertura da cadeira de rodas

### ! IMPORTANTE!

- Quando abrir a cadeira de rodas, não puxe o manípulo do apoio de costas sem antes soltar o apoio de costas com o cabo de desbloqueio.
- Confirme que o apoio de costas está completamente encaixado no chassis antes de utilizar a cadeira de rodas novamente.

1. Puxe o cabo no apoio de costas da cadeira de rodas.
2. Puxe o manípulo do apoio de costas para deslocar o apoio de costas para trás, até o tubo do apoio de costas encaixar nos dois lados do chassis.
3. Dobre a guarda lateral para a posição de utilização em ambos os lados.

## 7.3 Remoção e encaixe das rodas traseiras

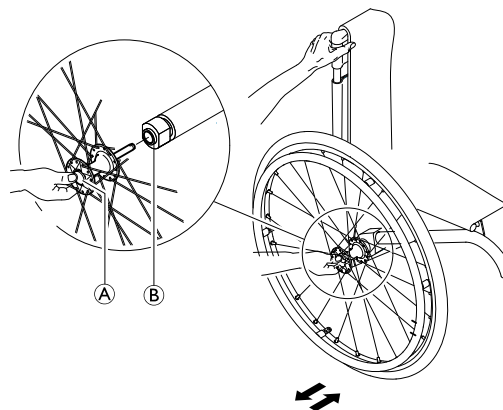


### ADVERTÊNCIA!

#### Risco de capotagem

Se o eixo removível de uma roda traseira não estiver totalmente encaixado, a roda pode soltar-se durante a utilização. Tal poderá resultar na capotagem.

- Certifique-se de que os eixos removíveis estão totalmente encaixados sempre que instalar uma roda.



### Remoção das rodas traseiras

1. Solte os travões.
2. Com uma mão, segure a cadeira de rodas na posição vertical.
3. Com a outra mão, segure a roda no suporte externo dos raios, em redor da conexão da roda.
4. Com o polegar, pressione o botão de remoção do eixo (A). Mantenha o botão pressionado e puxe a roda para fora do tubo adaptador (B).

### Encaixe das rodas traseiras

1. Solte os travões.
2. Com uma mão, segure a cadeira de rodas na posição vertical.
3. Com a outra mão, segure a roda no suporte externo dos raios, em redor da conexão da roda.
4. Com o polegar, mantenha o botão de remoção do eixo pressionado.



5. Introduza o eixo no tubo adaptador ⑥ até à marca de paragem.
6. Solte o botão de remoção do eixo e certifique-se de que a roda está fixa.

## 8 MANUTENÇÃO

### 8.1 Instruções de segurança



#### ADVERTÊNCIA!

Alguns materiais são passíveis de desgaste, o que poderá levar a danos de peças da cadeira de rodas.  
 – Porém, após algum tempo, deverá solicitar o distribuidor para verificar a cadeira de rodas, pelo menos uma vez por ano.



Para obter ajuda na execução das medidas de manutenção regulares, contacte o distribuidor da *küschall®*. Para encontrar um distribuidor autorizado perto de si, contacte a representação da *küschall®* no seu país (® no final deste documento).

### 8.2 Plano de manutenção

De forma a garantir a segurança e a fiabilidade, execute regularmente os seguintes trabalhos de manutenção ou solicite a outra pessoa para os executar.

	Semanal-mente	Mensal-mente	Anual-mente
Verificar a pressão de ar dos pneus	x		
Verificar a posição correcta das rodas traseiras	x		

	Semanal-mente	Mensal-mente	Anual-mente
Verifique o cinto de postura	x		
Controlo visual		x	
Limpar rodas dianteiras		x	
Verificar uniões aparafusadas		x	
Verificar raios		x	
Verificar travões de estacionamento		x	
Verificação da cadeira de rodas por parte do técnico especializado			x

#### Verificar a pressão de ar dos pneus

1. Meça a pressão de ar dos pneus, 3.9 Pneus, página 90.
2. Encha os pneus com a pressão de ar necessária.
3. Verifique também o perfil dos pneus.
4. Caso necessário, substitua os pneus.

#### Verificar a posição correcta das rodas traseiras

1. Puxe a roda traseira para verificar a posição do eixo de extracção. A roda não deverá soltar-se.
2. Se as rodas traseiras não encaixarem devidamente, remova possível sujidade. Se o problema continuar a persistir, solicite a um técnico especializado para colocar os eixos de extracção.

#### Verifique o cinto de postura

1. Verifique se o cinto de postura está ajustado correctamente.

**!** **IMPORTANTE!**

- Os cintos de postura soltos devem ser ajustados por um fornecedor especializado.
- Os cintos de postura danificados devem ser reparados por um fornecedor especializado.

**Controlo visual**

1. Veja se encontra peças soltas, rasgos ou outros danos na cadeira de rodas.
2. Solicite a verificação da cadeira de rodas por parte de um técnico especializado se verificar algum problema.

**Limpar rodas dianteiras**

1. Verifique se as rodas dianteiras rodam sem dificuldade.
2. Remova sujidade e cabelos dos rolamentos das rodas dianteiras.

**Verificar uniões aparafusadas**

Se a cadeira for utilizada com muita frequência, os parafusos podem soltar-se.

1. Verifique se os parafusos estão apertados (no apoio para os pés, no assento, nas partes laterais, no encosto, no chassis, no módulo do assento).
2. Aperte todos os parafusos soltos com um binário adequado. Consulte o manual de assistência küschall R33, disponível na Internet em [www.kueschall.com](http://www.kueschall.com).

**!** **IMPORTANTE!**

- Após serem várias vezes enroscados e desenroscados, as porcas e os parafusos de segurança perdem o efeito.
  - Solicite a um técnico especializado para substituir as porcas e os parafusos de segurança.

**Verificar esforço de tensão dos raios**

Os raios não podem estar soltos nem deformados.

1. Solicite a um técnico especializado para apertar os raios.
2. Solicite a um técnico especializado para substituir os raios quebrados.

**Verificar travões de estacionamento**

1. Verifique a posição correcta dos travões de estacionamento. O travão está correctamente posicionado se a sapata do travão entrar alguns milímetros no pneu, quando o travão estiver accionado.
2. Se verificar que a configuração não está correcta, solicite a um técnico especializado para configurar os travões de forma correcta.

**!** **IMPORTANTE!**

- Após a substituição ou a alteração de posicionamento das rodas traseiras, os travões de estacionamento têm de ser novamente ajustados.

**Verificação após uma forte colisão ou impacto****!** **IMPORTANTE!**

- A cadeira de rodas pode sofrer danos invisíveis em resultado de uma colisão ou impacto forte.
  - É essencial a verificação da cadeira de rodas por um fornecedor especialista após uma colisão ou impacto forte.

## Reparar e substituir a câmara-de-ar

1. Remova a roda traseira e esvazie a câmara-de-ar.
2. Levante um flanco do pneu da jante. Para tal, utilize um saca-pneus para bicicletas e não um objecto afiado, como chaves de fendas, de forma a não danificar a câmara-de-ar.
3. Retire a câmara-de-ar do pneu.
4. Repare a câmara com remendos para bicicletas ou, caso necessário, substitua a câmara-de-ar.
5. Encha a câmara lentamente com ar, até esta ficar redonda.
6. Insira a válvula no orifício da jante para a válvula e coloque a câmara-de-ar dentro do pneu (a câmara deverá posicionar-se sem dobras em volta).
7. Levante os flancos dos pneus sobre a borda da jante. Comece na zona da válvula e utilize um saca-pneus para bicicletas. Ao fazê-lo, verifique se a câmara-de-ar não fica entalada entre o pneu e a jante.
8. Encha os pneus até atingir a pressão máxima de serviço. Certifique-se de que o pneu já não deita ar.

## Peças sobressalentes



Todas as peças sobressalentes podem ser adquiridas através de um distribuidor da küschall®. Encontrará uma lista com todas as peças sobressalentes disponíveis na Internet, em [www.kueschall.com](http://www.kueschall.com).

## 8.3 Conservação

A vida útil da cadeira de rodas será longa se a zelar regularmente.



### IMPORTANTE!

A areia e a água salgada podem danificar os rolamentos; as partes em aço poderão enferrujar, se a superfície estiver danificada.

- Não exponha a cadeira de rodas durante muito tempo a areia e água salgada, e limpe-a sempre depois de uma visita à praia.



### IMPORTANTE!

- Não utilize produtos de limpeza ásperos, agentes de limpeza abrasivos nem mecanismos de limpeza de alta pressão.

1. Limpe as capas e as partes em metal com um pano húmido.
2. Seque a cadeira cuidadosamente com um pano após uma viagem à chuva ou após tomar banho.
3. Se a cadeira de rodas estiver suja, tente limpar a sujidade enquanto ainda estiver molhada e seque cuidadosamente a cadeira com um pano.

## 8.4 Desinfecção

É permitida a utilização de produtos de desinfecção, para pulverizar ou esfregar, que foram testados e reconhecidos.



Encontrará uma lista de produtos de desinfecção autorizados no Instituto Robert Koch, em [www.rki.de](http://www.rki.de).

---

## 9 RESOLUÇÃO DE PROBLEMAS

---

### 9.1 Instruções de segurança

É possível surgirem problemas na cadeira de rodas, devido à utilização diária, novos ajustes ou indicações diferentes. A tabela seguinte mostra como se identificam problemas e se resolvem.



#### **ATENÇÃO!**

- Se identificar algum problema com a sua cadeira de rodas, p.ex., uma diferença grande no comportamento de condução da cadeira, contacte imediatamente o distribuidor.



#### **IMPORTANTE!**

- Algumas das medidas apresentadas têm de ser tomadas por parte de um distribuidor autorizado. As medidas em questão estão assinaladas. Recomendamos que solicite um distribuidor para efectuar *todos* os ajustes.

## 9.2 Identificar e resolver problemas

<b>Problema</b>	<b>Causa possível</b>	<b>Medida</b>
A cadeira de rodas não anda a direito	Pressão de ar do pneu errada numa das rodas traseiras	Corrigir a pressão de ar dos pneus, ® 3.9 Pneus, página 90
	Um ou mais raios quebrados	Substituir os raios danificados, ® solicitar a técnico especializado
	Raios apertados de forma diferente	Apertar os raios soltos, ® solicitar a técnico especializado
	Rolamentos das rodas dianteiras sujos ou danificados	Limpar ou substituir rolamentos, ® solicitar a técnico especializado
A cadeira de rodas tomba muito facilmente para trás	As rodas traseiras estão montadas demasiado à frente	Montar as rodas traseiras mais atrás, ® solicitar a técnico especializado
	Ângulo do encosto demasiado grande	Diminuir o ângulo do encosto, ® solicitar a técnico especializado
Os travões não travam correctamente ou de forma assimétrica	Pressão de ar do pneu errada numa ou em ambas as rodas traseiras	Corrigir a pressão de ar dos pneus, ® 3.9 Pneus, página 90
	Configuração incorreta dos travões	Corrigir a configuração dos travões, ® solicitar a técnico especializado
Resistência ao rolamento muito grande	Pressão de ar dos pneus das rodas traseiras demasiado baixa	Corrigir a pressão de ar dos pneus, ® 3.9 Pneus, página 90
	Rodas traseiras não paralelas	Assegurar que as rodas traseiras estão paralelas, ® solicitar a técnico especializado

<b>Problema</b>	<b>Causa possível</b>	<b>Medida</b>
Rodas dianteiras vibram com velocidade mais elevada	Tensão demasiado baixa no bloco de rolamentos das rodas dianteiras	Apertar um pouco a porca no eixo do bloco de rolamentos, @ solicitar a técnico especializado
	Roda dianteira completamente desgastada	Substituir roda dianteira, @ solicitar a técnico especializado
Roda dianteira anda com dificuldade ou está bloqueada	Rolamentos sujos ou danificados	Limpar ou substituir rolamentos, @ solicitar a técnico especializado

## 10 APÓS A UTILIZAÇÃO

### 10.1 Armazenamento



#### IMPORTANTE!

Risco de danos no produto

- Não guarde o produto junto a fontes de calor.
- Nunca guarde outros artigos em cima da cadeira de rodas.
- Guarde a cadeira de rodas no interior e num ambiente seco.
- Consulte a secção 11.2 Condições ambientais, página 114.

Após o armazenamento de longa duração (mais de 4 meses), a cadeira de rodas deve ser inspecionada em conformidade com a secção 8 Manutenção, página 106

### 10.2 Voltar a utilizar

A cadeira de rodas pode voltar a ser utilizada. Será necessário tomar as seguintes medidas:

- Limpeza e desinfecção, 8.3 Conservação, página 108 e 8.4 Desinfecção, página 108 neste manual de instruções.
- Inspeção, 8.2 Plano de manutenção, página 106 neste manual de instruções.
- Adaptação ao utilizador segundo a documentação de serviço (disponível junto da representação da *küschall®* do seu país, © final deste documento).

### 10.3 Eliminar como resíduo

Tenha atenção ao meio ambiente e elimine a sua cadeira de rodas de forma apropriada. Vigoram as disposições legais nacionais e locais que regulam a eliminação de resíduos.



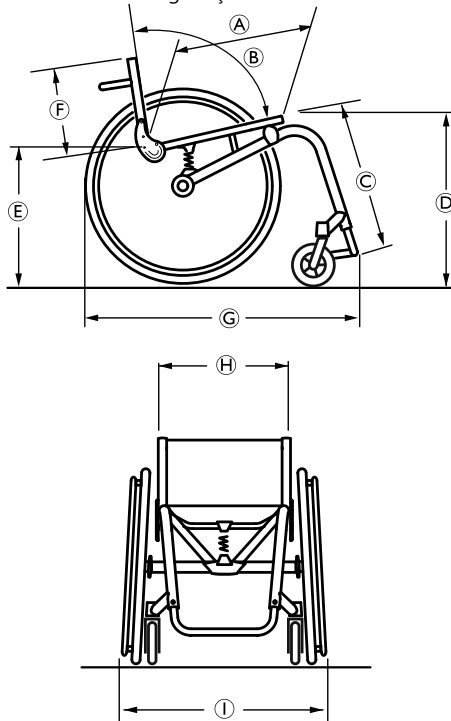
Para a sua eliminação como resíduo, contacte o distribuidor ou solicite informações junto da Câmara Municipal ou Junta de Freguesia acerca de uma empresa local de resíduos.



## 11 CARACTERÍSTICAS TÉCNICAS

### 11.1 Medidas e peso

Todas as dimensões e especificações de peso dizem respeito a uma largura do assento de 400 mm e uma profundidade do assento de 400 mm na configuração mais leve da cadeira de rodas. As dimensões e peso podem ser alteradas consoante as diferentes configurações.



Ⓐ	Profundidade do assento	375 – 450 mm, em incrementos de 25 mm
Ⓑ	Ângulo do encosto	74°/78°/82°/86°/90°
Ⓒ	Comprimento da parte inferior das pernas	300 – 480 mm, em incrementos de 10 mm
Ⓓ	Altura dianteira do assento	460 – 510 mm, em incrementos de 10 mm
Ⓔ	Altura traseira do assento	430 – 480 mm, em incrementos de 10 mm
Ⓕ	Altura do encosto	270 – 465 mm, em incrementos de 15 mm
Ⓖ	Comprimento total	75°: aprox. 830 mm 90°: aprox. 760 mm
Ⓗ	Largura do assento	340 – 440 mm, em incrementos de 20 mm
Ⓘ	Largura total	Largura do assento + 170 mm
	Peso	aprox. 9,4 kg
	Peso sem rodas traseiras	aprox. 6,8 kg
	Peso máximo do utilizador	100 kg
	Largura de reversão	920 – 1230 mm
	Centro da gravidade	39 – 154 mm, em incrementos de 23 mm
	Inclinação segura máxima	7°

## 11.2 Condições ambientais

Não exponha a cadeira de rodas a temperaturas inferiores a -20 °C ou superiores 40 °C.

## 11.3 Materiais

Os componentes utilizados para fabricar as cadeiras küschall® são constituídos pelos seguintes materiais:

Tubos do chassis/Tubos do encosto	Alumínio/Titânio <sup>1)</sup> /Carbono <sup>1)</sup>
Capa do assento/Capa do encosto	PA/PE/PVC
Punho	Aço/Alumínio/PVC
Guarda lateral/Guarda-lama	Plástico ou Carbono <sup>1)</sup>
Peças de suporte/Acessórios	Aço/Alumínio/Titânio <sup>1)</sup>
Parafusos e pinos	Aço
Rodízios	Alumínio

<sup>1)</sup> As opções Carbono e/ou Titânio não estão disponíveis para todos os modelos da cadeira de rodas küschall®.

Notes

## Küschall ® distributors

### **United Kingdom:**

Invacare Limited  
Pencoed Technology Park, Pencoed  
Bridgend CF35 5AQ  
Tel: (44) (0) 1656 776 222  
Fax: (44) (0) 1656 776 220  
uk@invacare.com  
www.invacare.co.uk

### **Ireland:**

Invacare Ireland Ltd,  
Unit 5 Seatown Business Campus  
Seatown Road, Swords, County Dublin  
Tel : (353) 1 810 7084  
Fax: (353) 1 810 7085  
ireland@invacare.com  
www.invacare.ie

### **Australia:**

Invacare Australia PTY. Ltd.  
1 Lenton Place, North Rocks NSW 2151  
Australia  
Phone: 1800 460 460  
Fax: 1800 814 367  
orders@invacare.com.au  
www.invacare.com.au

### **New Zealand:**

Invacare New Zealand Ltd  
4 Westfield Place, Mt Wellington 1060  
New Zealand  
Phone: 0800 468 222  
Fax: 0800 807 788  
sales@invacare.co.nz  
www.invacare.co.nz

### **Asia:**

Invacare Asia Ltd.  
1 Lenton Place, North Rocks NSW 2151  
Australia  
Phone: (61) (02) 8839 5333  
Fax: (61) (02) 8839 5343  
asiasales@invacare.com  
www.invacare.com



Küschall AG  
Benkenstrasse 260  
CH-4108 Witterswil  
www.kuschall.com

### **España:**

Invacare SA  
c/Areny s/n, Polígon Industrial de Celrà  
E-17460 Celrà (Girona)  
Tel: (34) (0)972 49 32 00  
Fax: (34) (0)972 49 32 20  
contactsp@invacare.com  
www.invacare.es

### **Portugal:**

Invacare Lda  
Rua Estrada Velha, 949  
P-4465-784 Leça do Balio  
Tel: (351) (0)225 1059 46/47  
Fax: (351) (0)225 1057 39  
portugal@invacare.com  
www.invacare.pt

1583557-A 2015-08-28

