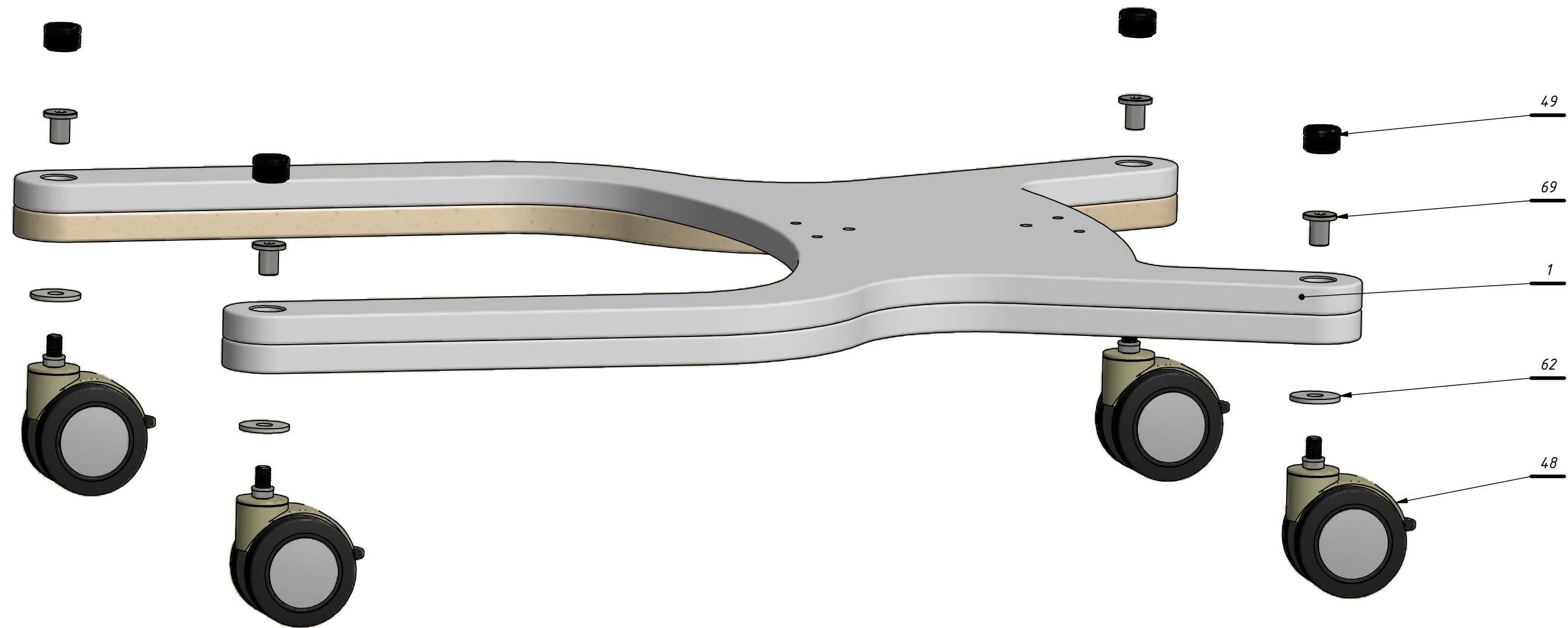

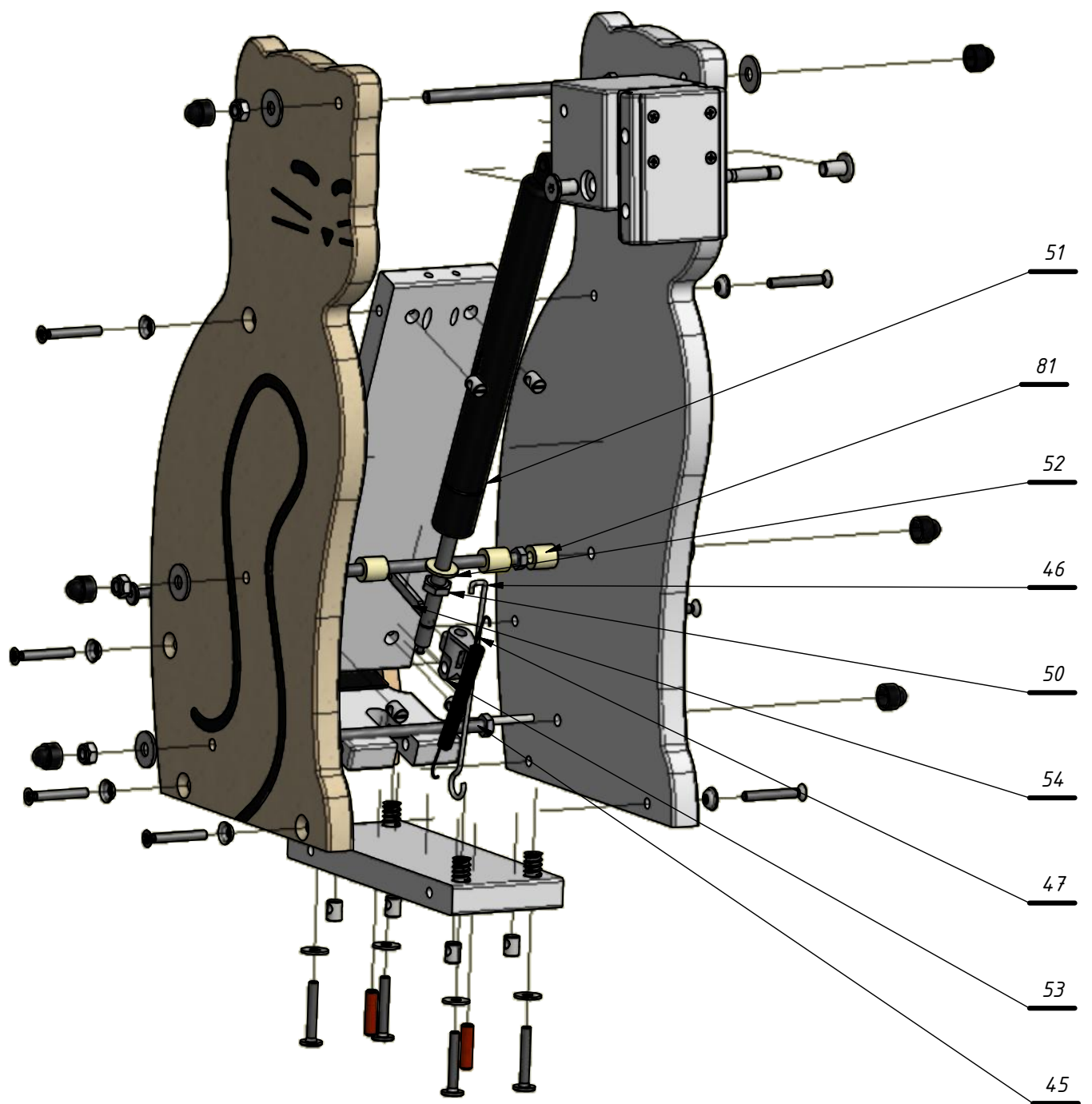
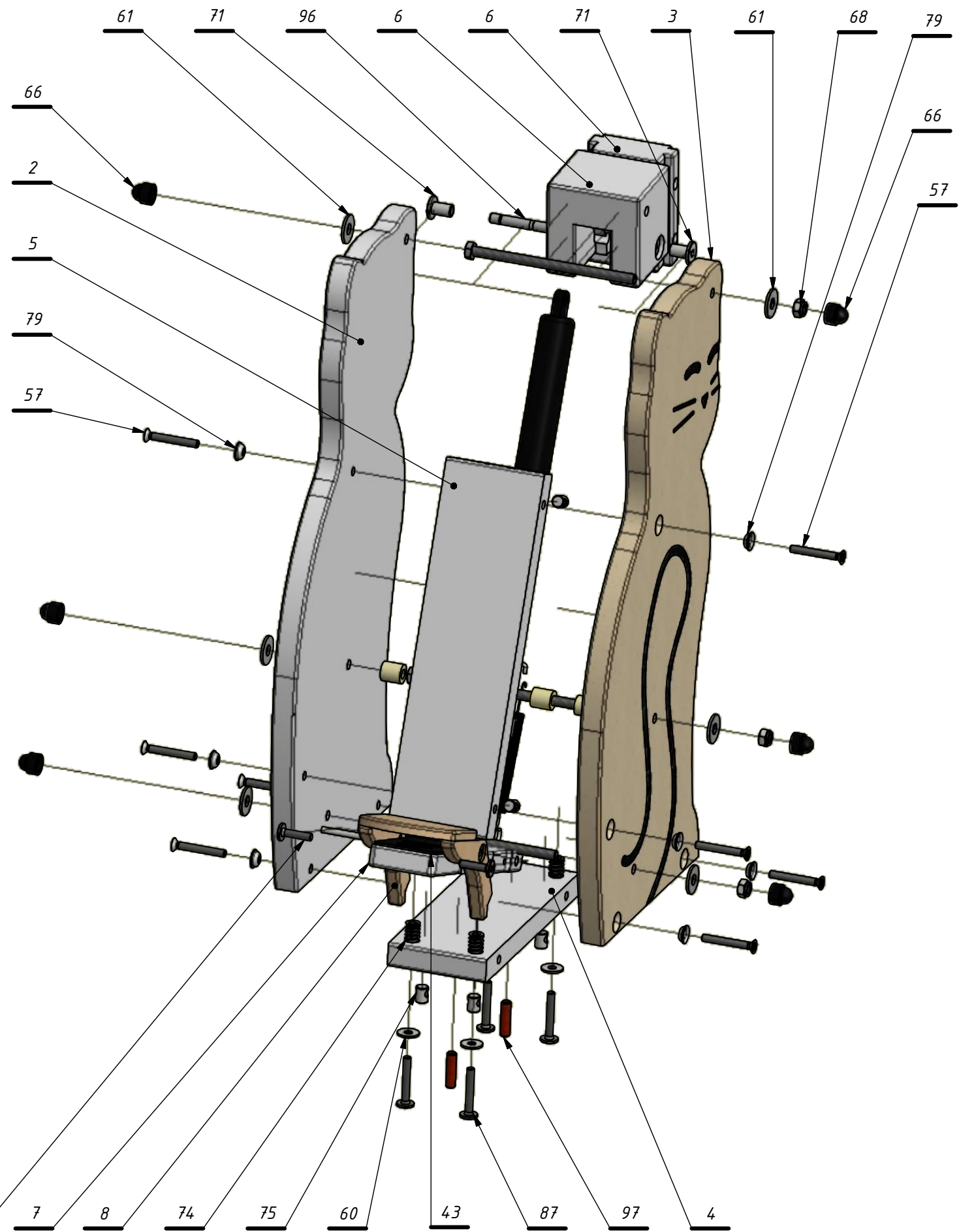



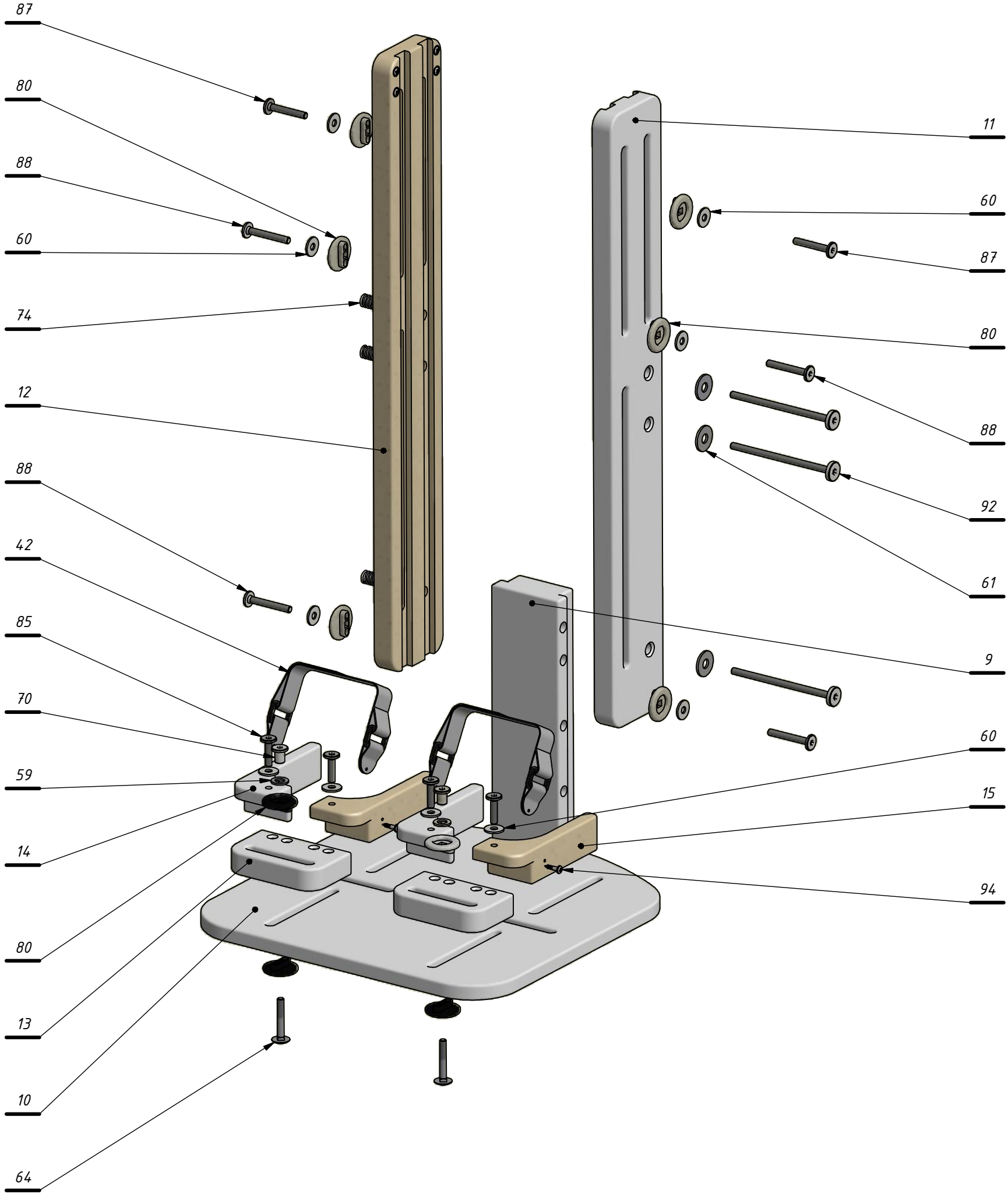
8	Tray	1		KTN-1.9000
7	Tray support	1		KTN-1.8000
6	Head rest	1		KTN-1.7000
5	Knee support	1		KTN-1.6000
4	Side support	1		KTN-1.5000
3	Foot rest	1		KTN-1.4000
2	Body	1		KTN-1.3000
1	Frame base	1		KTN-1.2000
Pos.	Title:	Pcs:		
0	<b>CAT 2</b>	<b>1</b>		
Sheet:	Scale:			
<b>A3</b>	<b>1:6</b>			
			<b>KTN-1.0000</b>	




Pos.	Title:		Pcs:	
<b>1</b>	<b>Frame base</b>		<b>1</b>	
Sheet:	Scale:			
<b>A3</b>	<b>1:3</b>			
			<b>KTN-1.2000</b>	

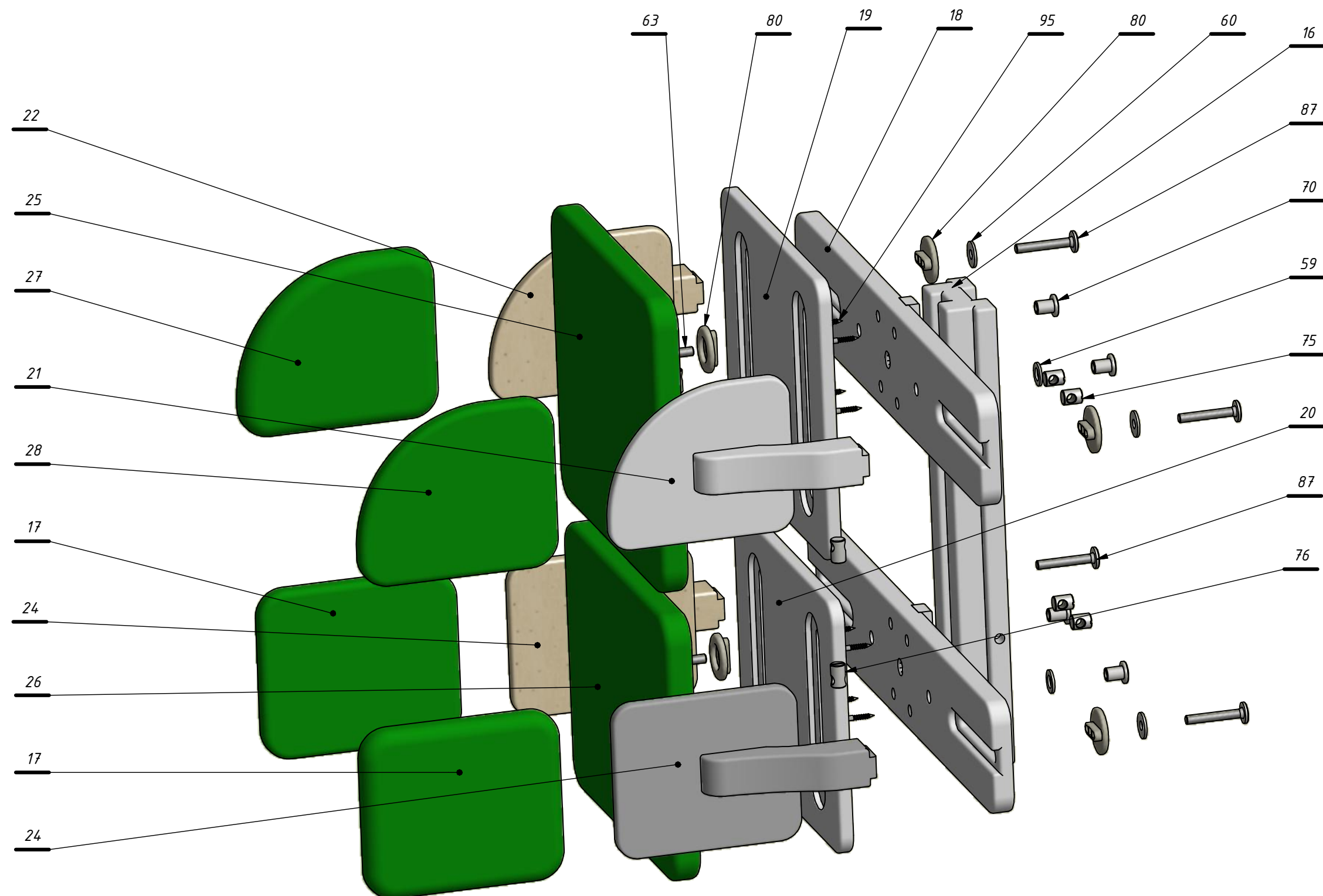



Pos.	Title:	Pcs:	
2	<b>Body</b>	1	
Sheet:	Scale:		
A3	1:4		
			<b>KTN-1.3000</b>

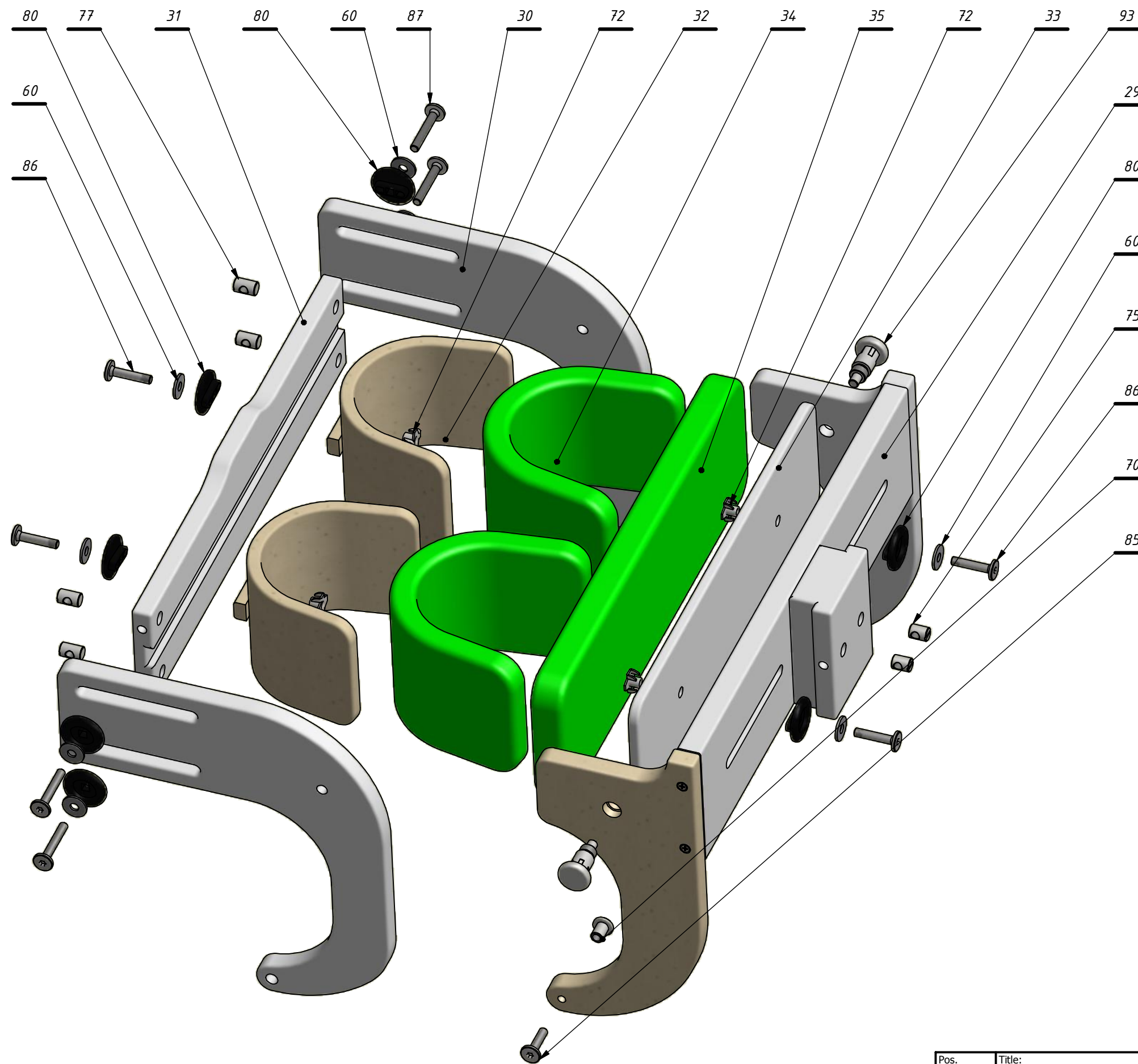



Pos.	Title:		Pcs:	
<b>3</b>	<b>Foot rest</b>		<b>1</b>	
Sheet:	Scale:			
<b>A3</b>	<b>1:4</b>			
			<b>KTN-1.4000</b>	

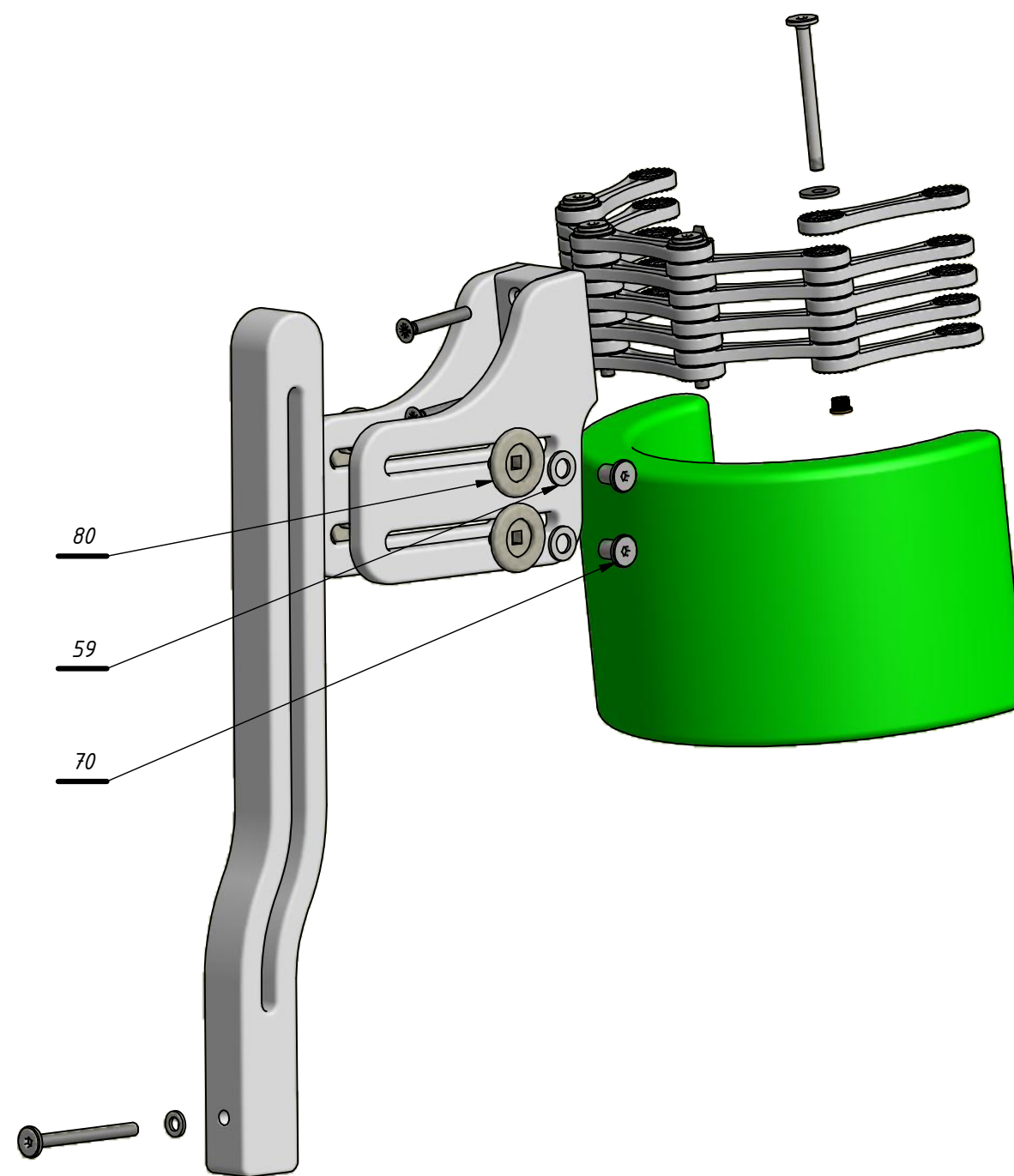
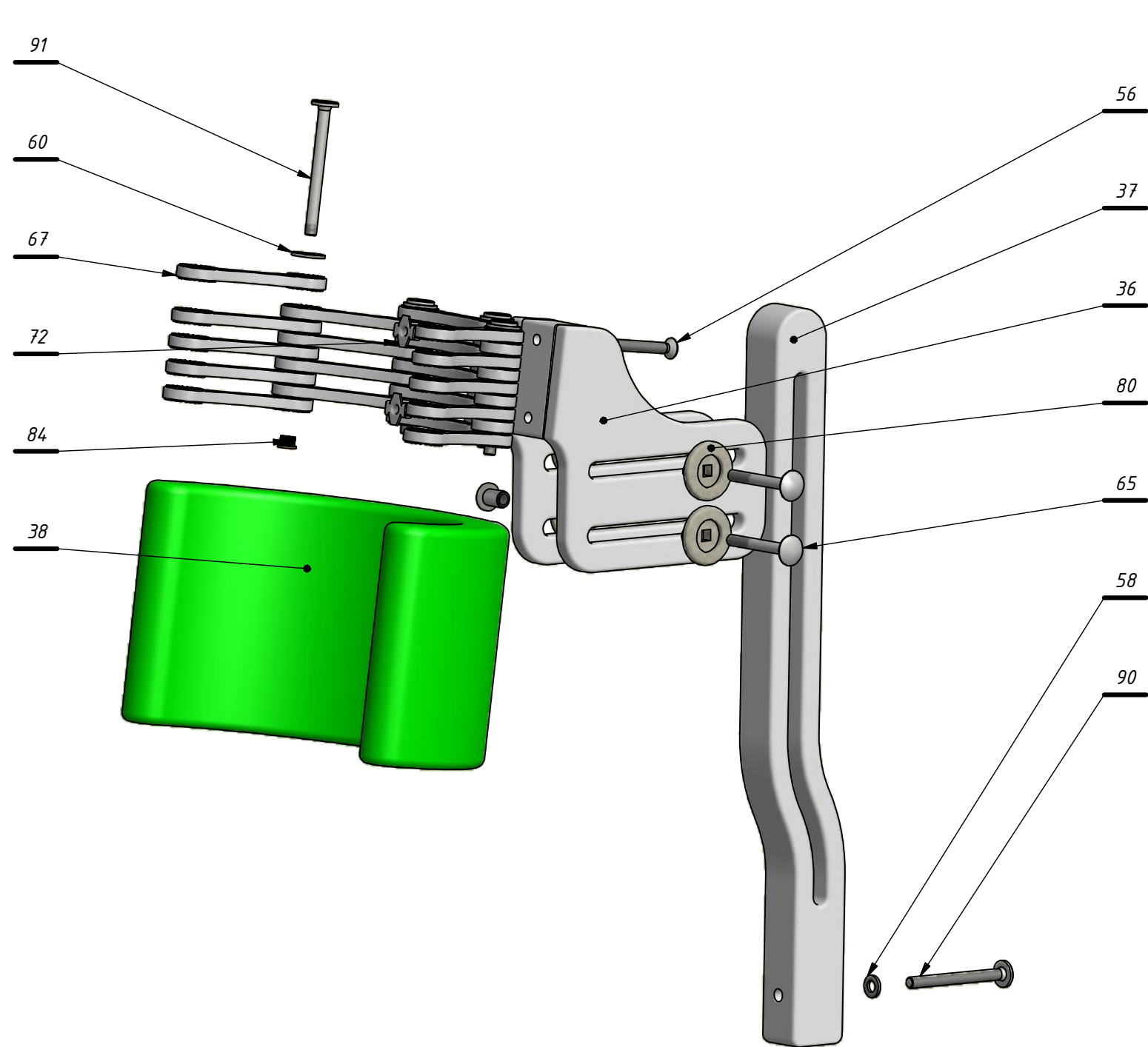





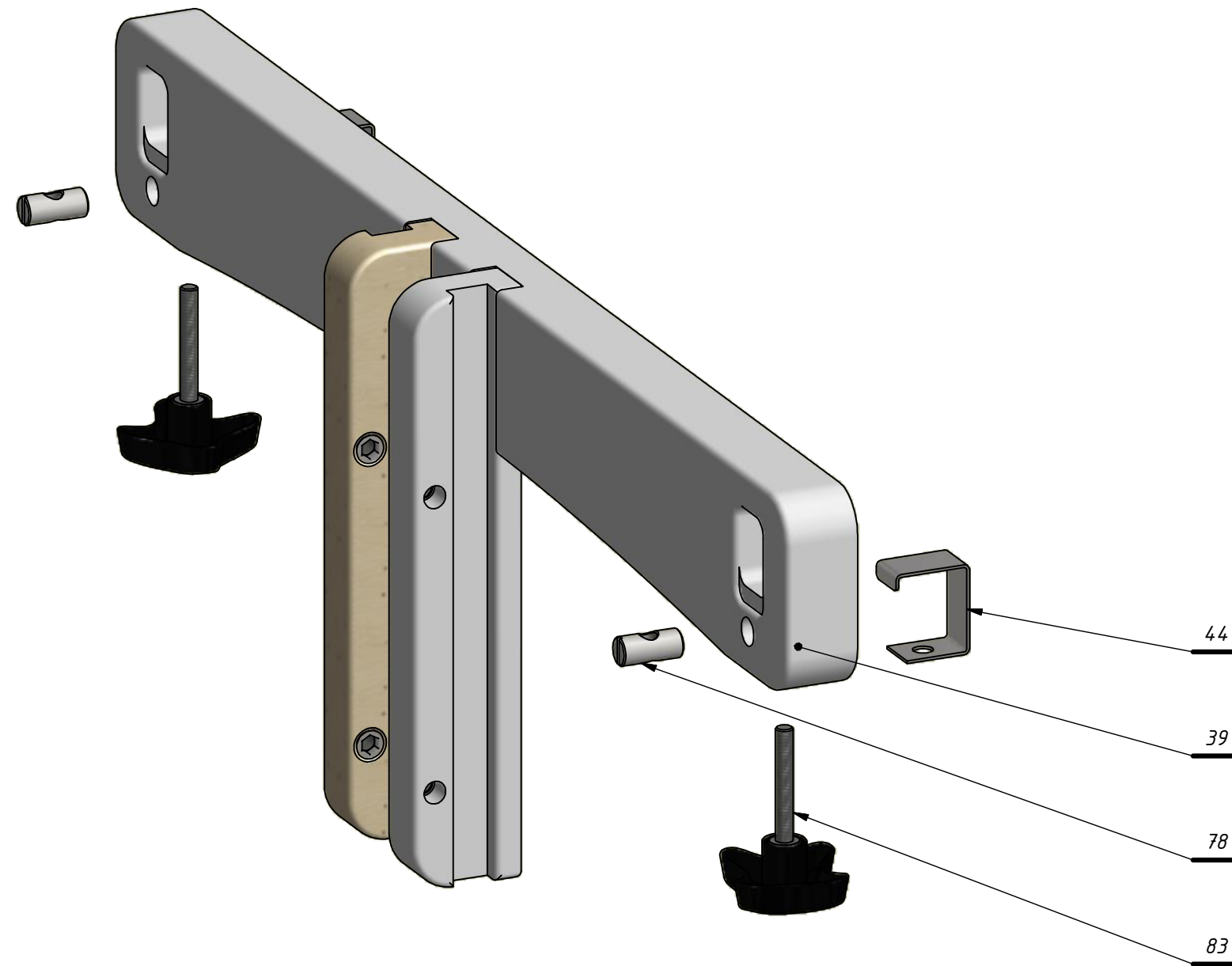
Pos.	Title:		Pcs:	
4	Side support		1	
Sheet:	Scale:			
A3	1:3			
			KTN-1.5000	




Pos.	Title:		Pcs:	
<b>5</b>	<b>Knee support</b>		<b>1</b>	
Sheet:	Scale:			
<b>A3</b>	<b>1:3</b>			
				<b>KTN-1.6000</b>

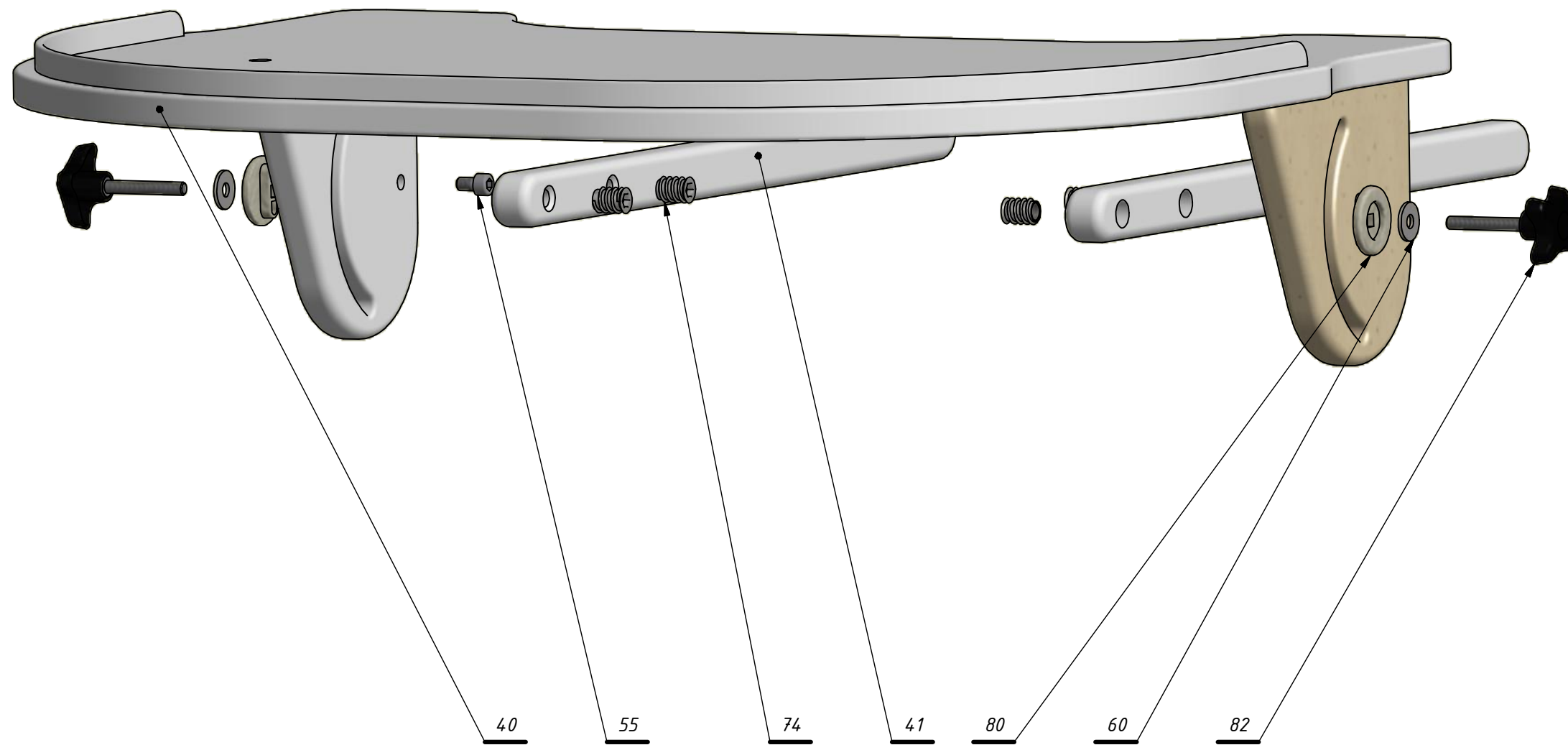


Pos.	Title:		Pcs:	
<b>6</b>	<b>Head rest</b>		<b>1</b>	
Sheet:	Scale:			
<b>A3</b>	<b>1:3</b>			
			<b>KTN-1.7000</b>	



Pos.	Title:	Pcs:		
7	Tray support	1		
Sheet:	Scale:			
A3	1:2			
		KTN-1.8000		





Pos. <b>8</b>	Title: <b>Tray</b>	Pcs: <b>1</b>	
Sheet: <b>A3</b>	Scale: <b>1:2,5</b>	<b>AKCESMED</b>	
		<b>KTN-1.9000</b>	

1	Stroller design	1		KTN-1.2100
2	Side element of cat's shape	1	Plywood	KTN-1.3100
3	Side element of cat's shape	1	Plywood	KTN-1.3100_MIR
4	Bottom element of cat's shape	1	Plywood	KTN-1.3200
5	Back element of cat's shape	1	Plywood	KTN-1.3300
6	Adjustment element	1		KTN-1.3400
7	Pedal	1	Plywood	KTN-1.3500
8	Pedal blockade	1	Plywood	KTN-1.3600
9	Footplate support	1		KTN-1.4100
10	Footplate	1	Plywood	KTN-1.4200
11	Main rib	1	Plywood	KTN-1.4300
12	Main rib_MIR	1	Plywood	KTN-1.4300_MIR
13	Fastening of counter	2	Plywood	KTN-1.4410
14	Side element of counter	2	Plywood	KTN-1.4420
15	Side element of counter_MIR	2	Plywood	KTN-1.4420_MIR
16	Support of central part	1	Plywood	KTN-1.5100
17	Upholstery of pelvic pelotte	2	Polyurethane foam	KTN-1.51000
18	Transverse pelotte support	2		KTN-1.5200
19	Rib of chest pillow	1	Plywood	KTN-1.5300
20	Rib of pelvic pillow	1	Plywood	KTN-1.5400
21	Chest pelotte_MIR	1		KTN-1.5500
22	Chest pelotte	1		KTN-1.5500_MIR
24	Pelvic pelotte_MIR	1		KTN-1.5600
24	Pelvic pelotte	1		KTN-1.5600_MIR
25	Upholstery of chest pillow	1	Polyurethane foam	KTN-1.5700
26	Upholstery of pelvic pillow	1	Polyurethane foam	KTN-1.5800
27	Upholstery of chest pelotte	1	Polyurethane foam	KTN-1.5900
28	Upholstery of chest pelotte_MIR	1	Polyurethane foam	KTN-1.5900_MIR
29	Steady part of knee stabilization	1		KTN-1.6100
30	Movable hinge of knee stabilization	2	Plywood	KTN-1.6200
31	Front support of knee stabilization	1	Plywood	KTN-1.6300
32	Knee pelotte	2		KTN-1.6400
33	Rib of knee stabilization pillow	1	Plywood	KTN-1.6500
34	Upholstery of knee pelotte	2	Polyurethane foam	KTN-1.6600
35	Upholstery of knee stabilization pillow	1	Polyurethane foam	KTN-1.6700
36	Headrest bolster	1		KTN-1.7100
37	Head bolster element	1	Plywood	KTN-1.7200
38	Upholstery of headrest	1	Polyurethane foam	KTN-1.7300
39	Table support	1		KTN-1.8100
40	Top of table	1		KTN-1.9100
41	Table bar	2	Plywood	KTN-1.9200
42	Belts - assembly	2		Paski złozenie
43	Cap for pedal	1	General	
44	Strip of metal	2	Stainless steel	
45	Crosshead	1	Steel	
46	Bolt	1	Steel	
47	Pull spring	1	Steel	KTN-1.3710
48	Swede Wheel	4		1175001GS
49	Round hole plung ø2519.0052.0251025	4	High-density polythene	19.0052.0251025
50	Self-locking gas spring nut	1	General	BOL-012491
51	Gas spring	1		BOL-075050
52	Gas spring washer	1	Nylon 6/6	Podktadka BOL-363979
53	Gas spring mounting element	1	General	BOL-784575
54	Lever which slows down gas spring	1	General	BOL-992259
55	Socket screw ISO 4762-M6x10	2	Steel	ISO 4762 - M6 x 10
56	Countersunk screw M6x40	2	Steel	ISO 7046-1 - M6 x 40 - 4.8 - Z
57	Countersunk screw M6x45	8	Steel	ISO 7046-1 - M6 x 45 - 4.8 - Z
58	Small washer M6	1	Steel	ISO 7091 - ST 6 - 100 HV
59	Small washer M8	8	Steel	ISO 7091 - ST 8 - 100 HV
60	Enlarged washer M6	33	Steel	ISO 7093 C - ST 6 - 100 HV
61	Enlarged washer M8	9	Steel	ISO 7093 C - ST 8 - 100 HV
62	Washer for wood M10	4	Steel	ISO 7094 - ST 10 - 100 HV
63	Cup square bolt M6x25	4	Steel	ISO 8678 - M6 x 25
64	Cup square bolt M6x40	2	Steel	ISO 8678 - M6 x 40
65	Cup square bolt M6x50	2	Steel	ISO 8678 - M6 x 50
66	Screw cover M8	6	PMI	KAP M8
67	Headrest chock	23	PMI	KZ 6x64
68	Self-locking nut M8	3	Steel	N6S M8
69	Sleeve nut with flat head M10x18-s6	4	Steel	NEP M10x18 s6
70	Sleeve nut with flat head M6x12-s4	10	Steel	NEP M6x12 s4
71	Sleeve nut with flat head M8x16-s5	2	Steel	NEP M8x16 s5- P
72	T-nut M6x9	6	Steel	NPP M6x9
73	Insert nut M6x13	4	Steel	NRK M6x13
74	Insert nut M8x15	13	Steel	NRK M8x15
75	Lopsided barrel nut M6x13	14	Steel	NWN M6x13
76	Lopsided barrel nut. M6x16	4	Steel	NWN M6x16
77	Symmetric barrel nut M6x16	4	Steel	NWS M6x16
78	Symmetric barrel nut M6x22	2	Steel	NWS M6x22
79	Cup washer M6	8	Steel	PMI M6
80	Washer	33	PMI	PW 8x32
81	Washer_Nylon 6/6_ø8,1xø16x17	4	Nylon 6/6	RU16178.1N
82	Dial bolt ø40xM6x40	2	General	SR4023M640S
83	Dial bolt ø50xM6x40	2	General	SR5023M640S
84	Neck bush M5	4	Steel	TUK M5
85	Hexagon socket head screw M6x25	8	Steel	WVI M6x25
86	Window handle screw	4	Galvanized Steel	WVI M6x30
87	Hexagon socket head screw M6x40	14	Galvanized Steel	WVI M6x40
88	Hexagon socket head screw M6x45	4	Steel	WVI M6x45
89	Hexagon socket head screw M6x50	1	Steel	WVI M6x50
90	Hexagon socket head screw M6x65	1	Steel	WVI M6x65
91	Hexagon socket head screw M6x70	4	Steel	WVI M6x70
92	Hexagon socket head screw M8x110	3	Steel	WVI M8x110
93	Mandrel M12	2	Steel	Z-12x1.75
94	Wood screw DIN 7996 - 3.5 x 16 - Z	12	General	din7996_3_5x16_z
95	Wood screw DIN 7997 - 3.5 x 25 - Z	8	General	din7997_3_5x25_z
96	DIN 939 - M8 x 50	1	General	din939_m8x50
97	Wooden peg	2	General	fi8x30
98		3	Steel	ISO 4018 - M8 x 14.0